

TECHNICAL DATA SHEETS

PLASTIC PROTECTIONS
AND SAFETY BARRIERS

NEW
COLD LINE



CONTENTS

DATA SHEETS / ASSEMBLY INSTRUCTIONS

01

RACK PROTECTIONS

RACK PROTECTORS	
RPS/RPM/RPL/RPL XL 600	03
RACK CORNER	06

RACK-END BARRIERS

SM	8
LM	11
FENCE 90	14
FENCE 150	16
FENCE 150 REINFORCED	18

02

BOLLARD

GRD 90	20
GRD 150	21

03

GUARD RAIL

TRUCK LINE	23
GR 90	25
GR 150	30
GRIN 90	33
GRIN 150	34

04

COLD LINE

ROD PE 70	37
ROD PE 120	40
ROD FLOOR 70	43
ROD FLOOR 120	48

05

PEDASTRIAN AND SAFETY BARRIERS

HR 90	51
PED 90	54
PED 150	57
CORNER PED 90	60
CORNER PED 150	63
PED 90 REINFORCED	67
PED 150 REF LINK	70

06

DOORS

FULL FRAME	74
DP 90 ONEWAY	77
DP 90 SWING	81
DP 150 ONEWAY	85
DP150 SWING	89
LIFT GATE 90	93
LIFT GATE 150	97

07

LINK

LINK SINGLE	101
LINK LM	104
LINK 150/1	107
LINK 150/2	111
LINK 150/3	115

08

REMOVABLE SAFETY BARRIERS

REMOVABLE SAFETY BARRIERS 90	118
REMOVABLE SAFETY BARRIERS 150	120

09

COLUMN PROTECTION

COPRO 90	122
COPRO 150	125
HUG TOWER	128
TOWER	131

10

LOADING BAYS PROTECTIONS

DOCK GATE	135
-----------	-----

11

CORNER PROTECTION

CP 100/200	139
------------	-----

12

KERB

KERB 200/300	141
--------------	-----

13

WALL PROTECTION

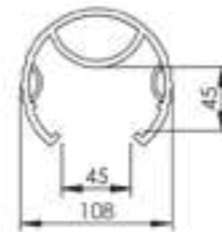
WALL BUMPERS	
WP 100/150	146
ANTISHOCK SYSTEM	
ASP 200	149

RPS/RPM/RPL/RPL XL 600

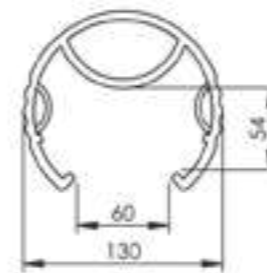
PROTEZIONE MONTANTE MEDIO
MEDIUM RACK PROTECTOR



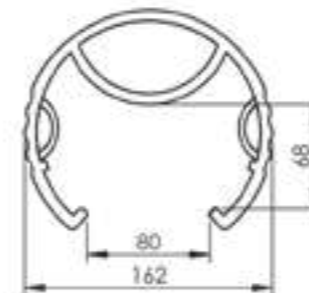
RPS



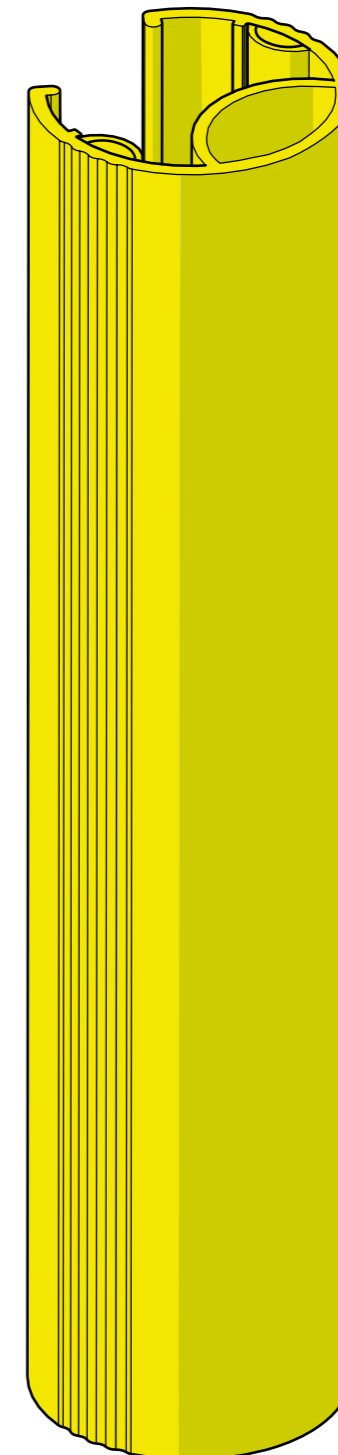
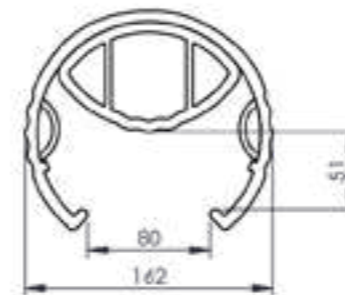
RPM



RPL



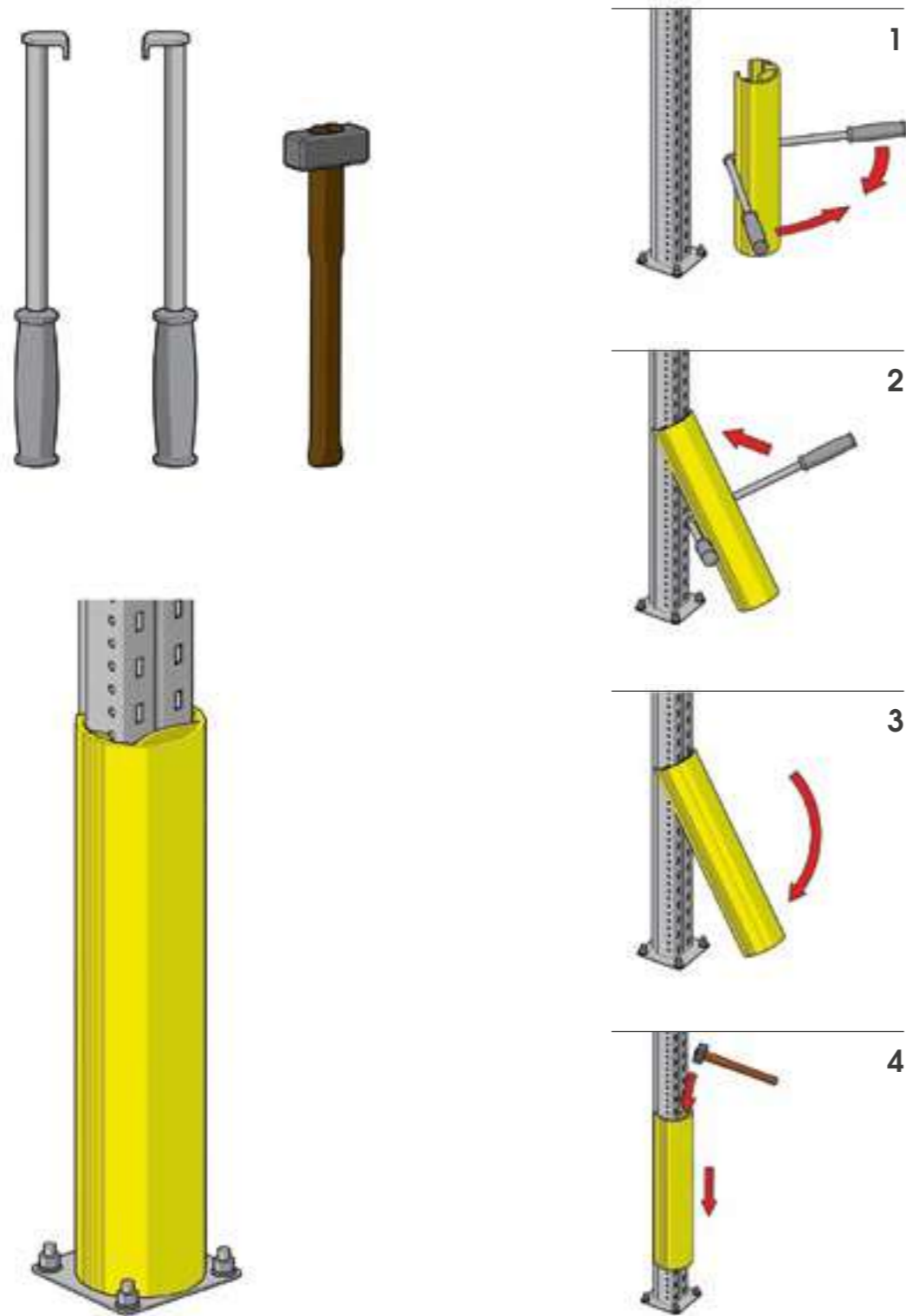
RPL XL



IMPACT TEST PASSED
according to
EN 15512:2009

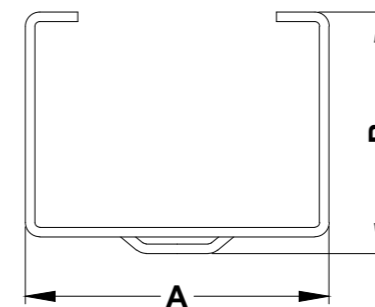
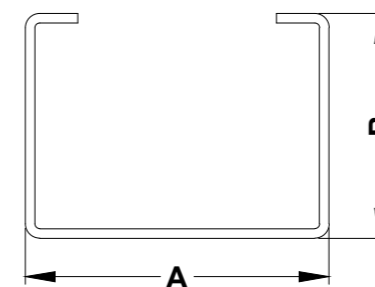
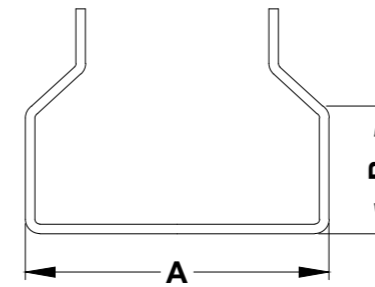
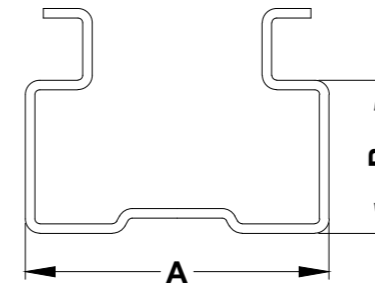
RPS/RPM/RPL/RPL XL

ISTRUZIONI DI INSTALLAZIONE
ASSEMBLY INSTRUCTIONS



UPRIGHT SIZE LAYOUT

PLEASE CHECK SIZE MENTIONED AS "A" AND "B"
ON YOUR UPRIGHT IN ORDER TO CHOOSE THE RIGHT PVC PROTECTOR
CUSTOMIZED PROTECTORS AVAILABLE ON REQUEST



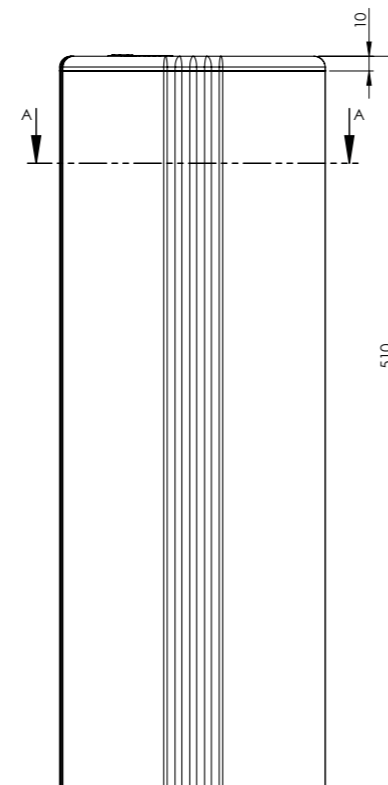
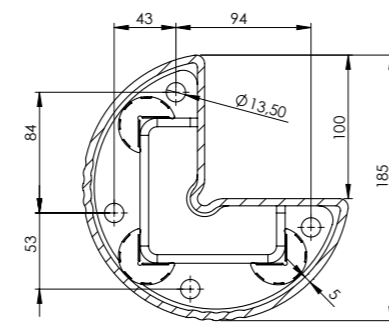
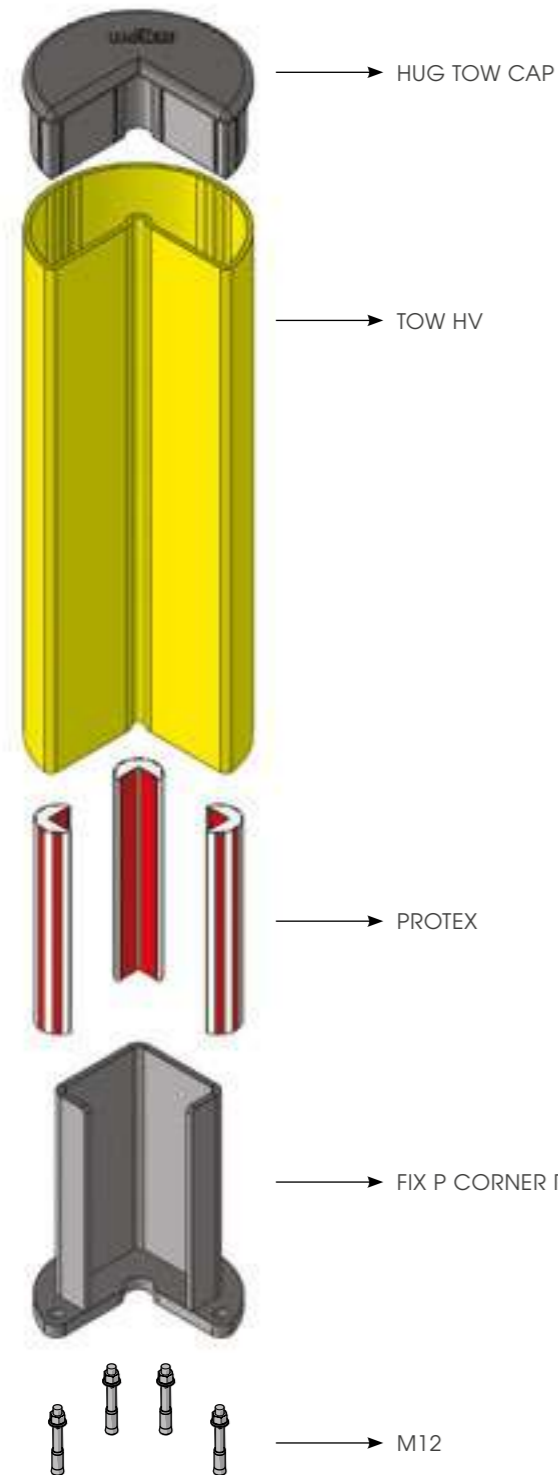
RACK PROTECTOR	A	B
RPS	70	50
	75	45
	75	50
	76	50
	80	35
	80	40
	80	42
	80	44
	80	45
	80	50
	85	40
	85	45
RPM	85	50
	90	35
	80	57
	80	60
	90	48
	90	50
	90	60
100	45	
100	50	
100	55	
RPL	120	60
	122	69
	130	60
	130	65

RACK CORNER

PROTEZIONE ANGOLO SCAFFALE
RACK CORNER



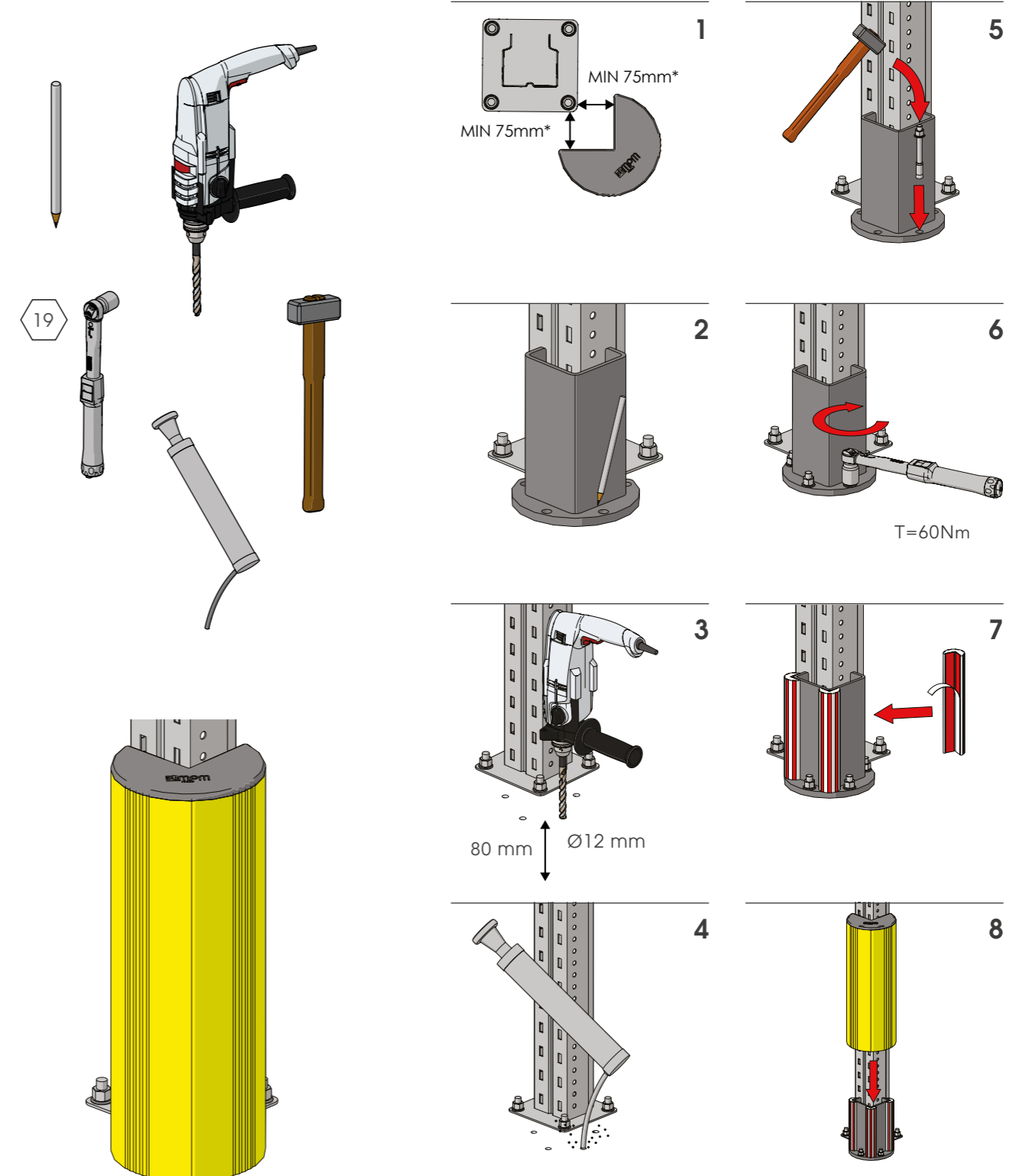
IMPACT TEST PASSED
according to
EN 15512:2009



RACK CORNER

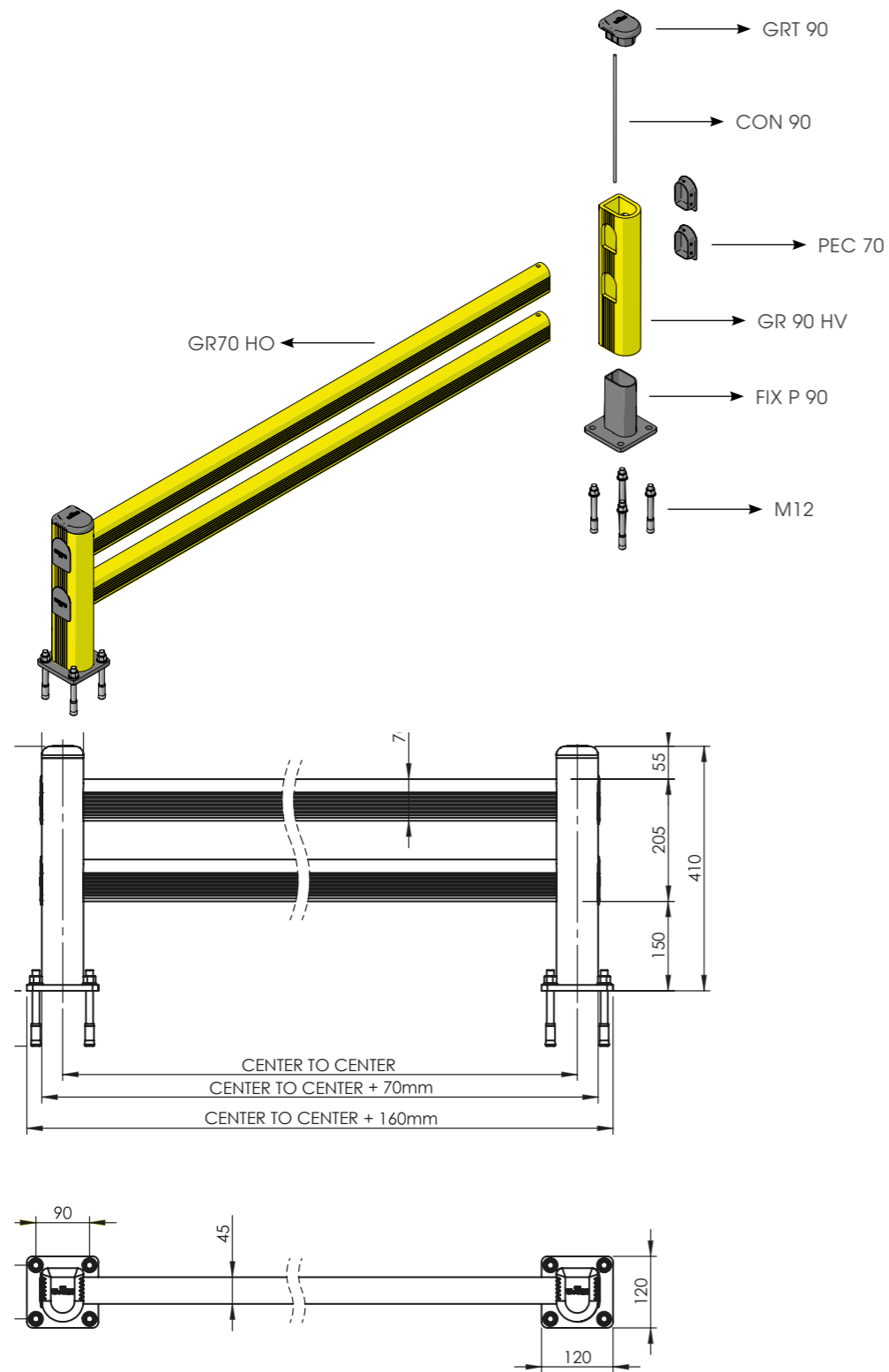
ISTRUZIONI DI INSTALLAZIONE
ASSEMBLY INSTRUCTIONS

ONLY WITH MECHANICAL ANCHOR M12



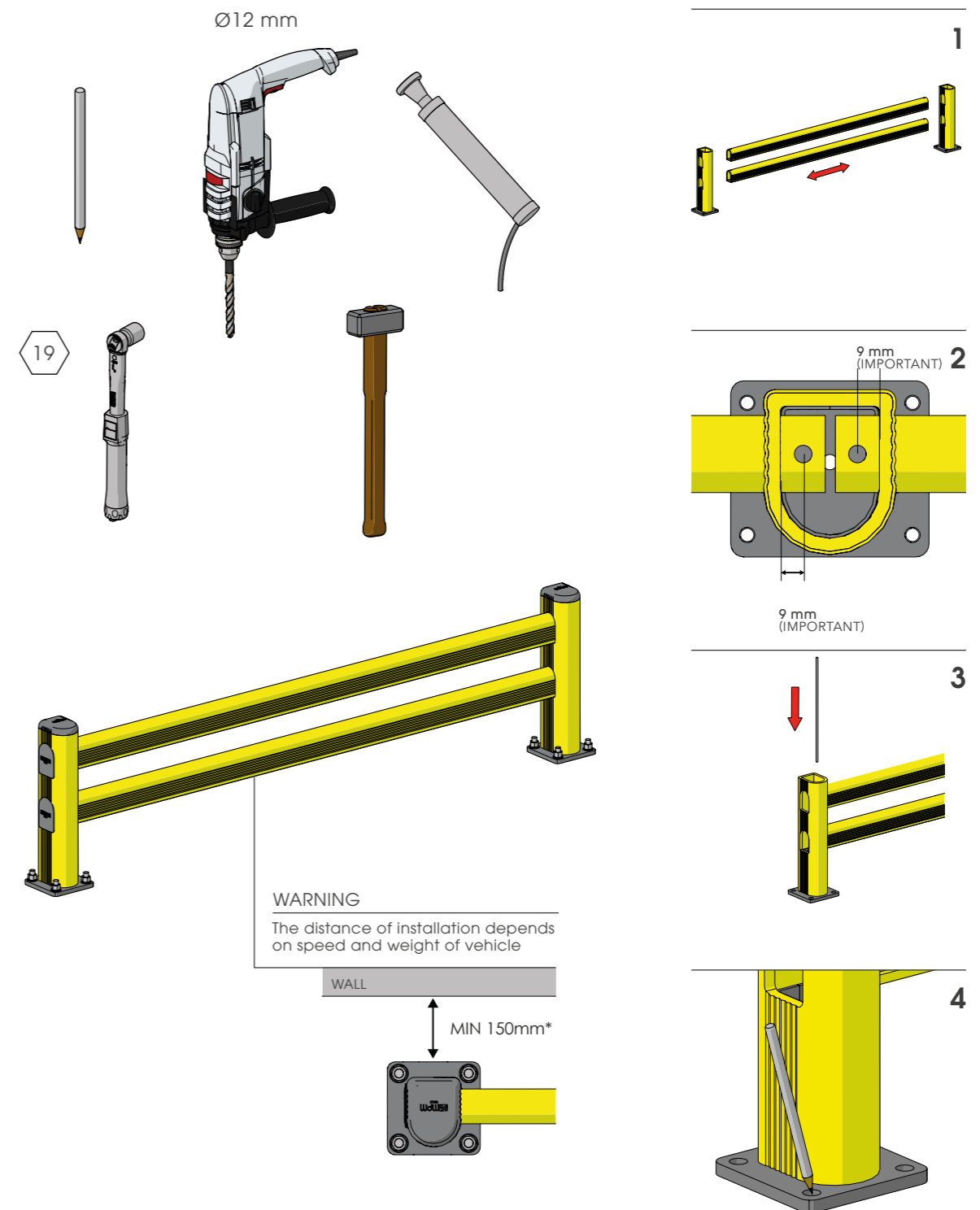
SM

GUARD RAIL A DOPPIA BARRIERA
DOUBLE RAIL BARRIER



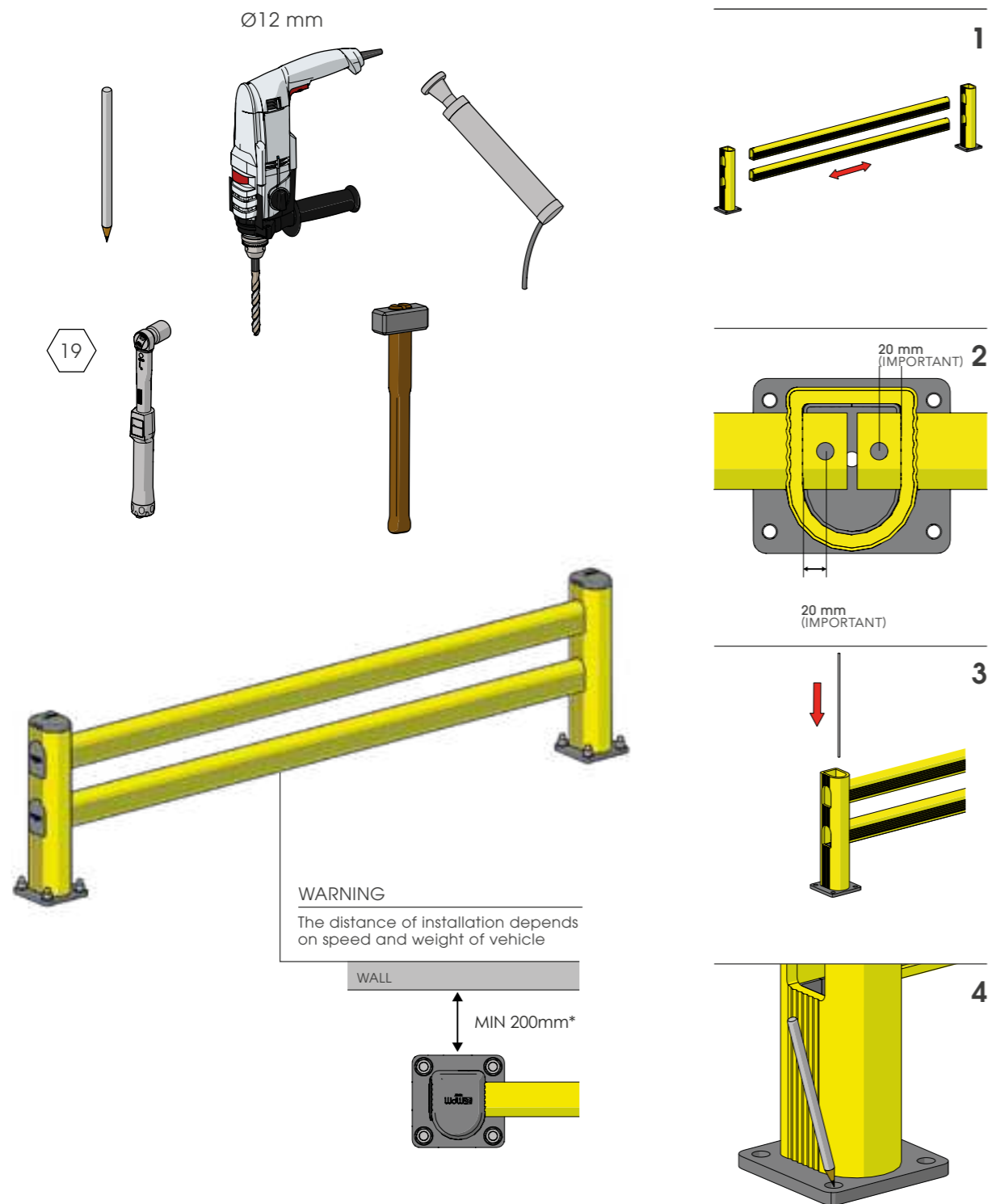
SM

ISTRUZIONI DI INSTALLAZIONE
ASSEMBLY INSTRUCTIONS



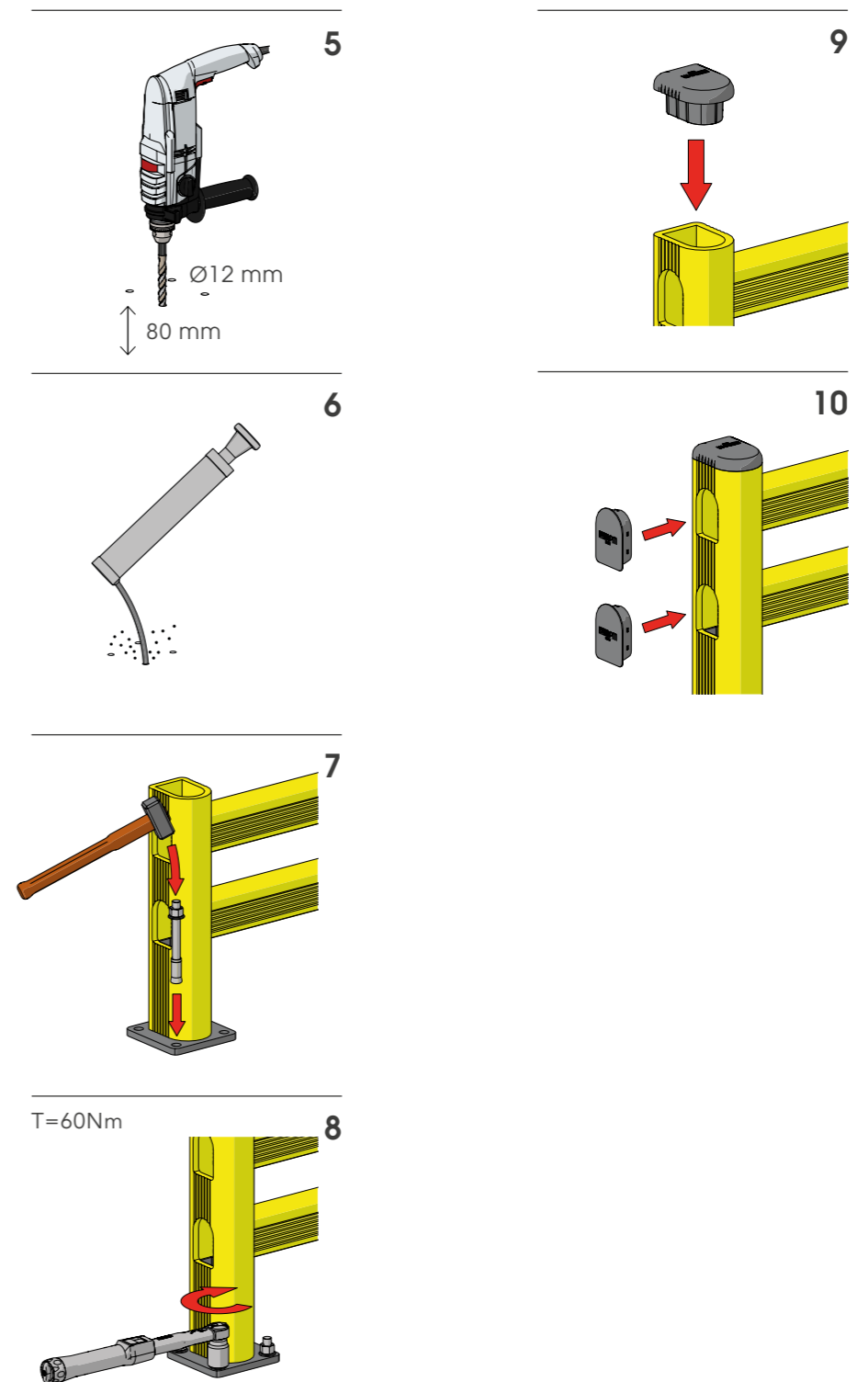
LM

ISTRUZIONI DI INSTALLAZIONE
ASSEMBLY INSTRUCTIONS



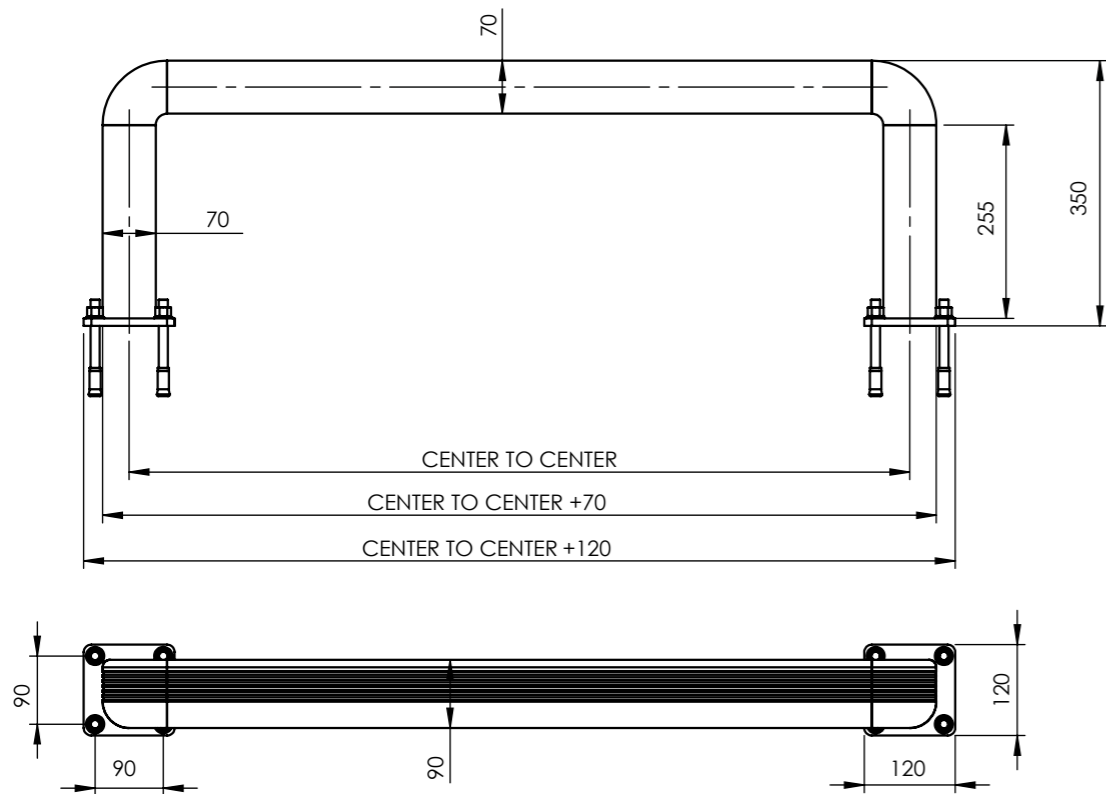
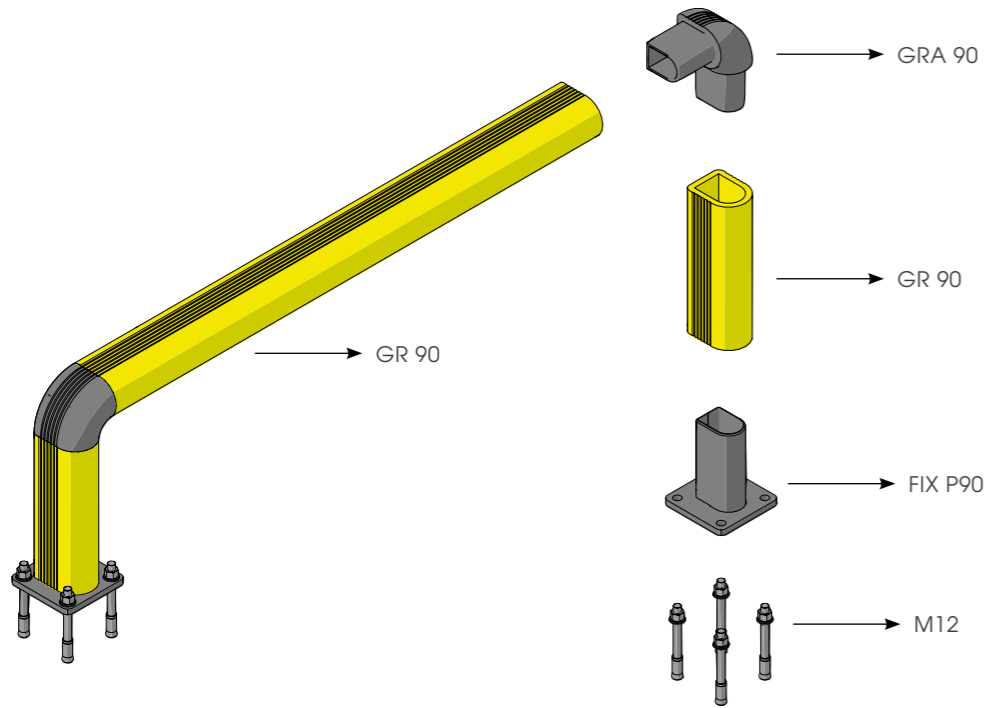
LM

ISTRUZIONI DI INSTALLAZIONE
ASSEMBLY INSTRUCTIONS



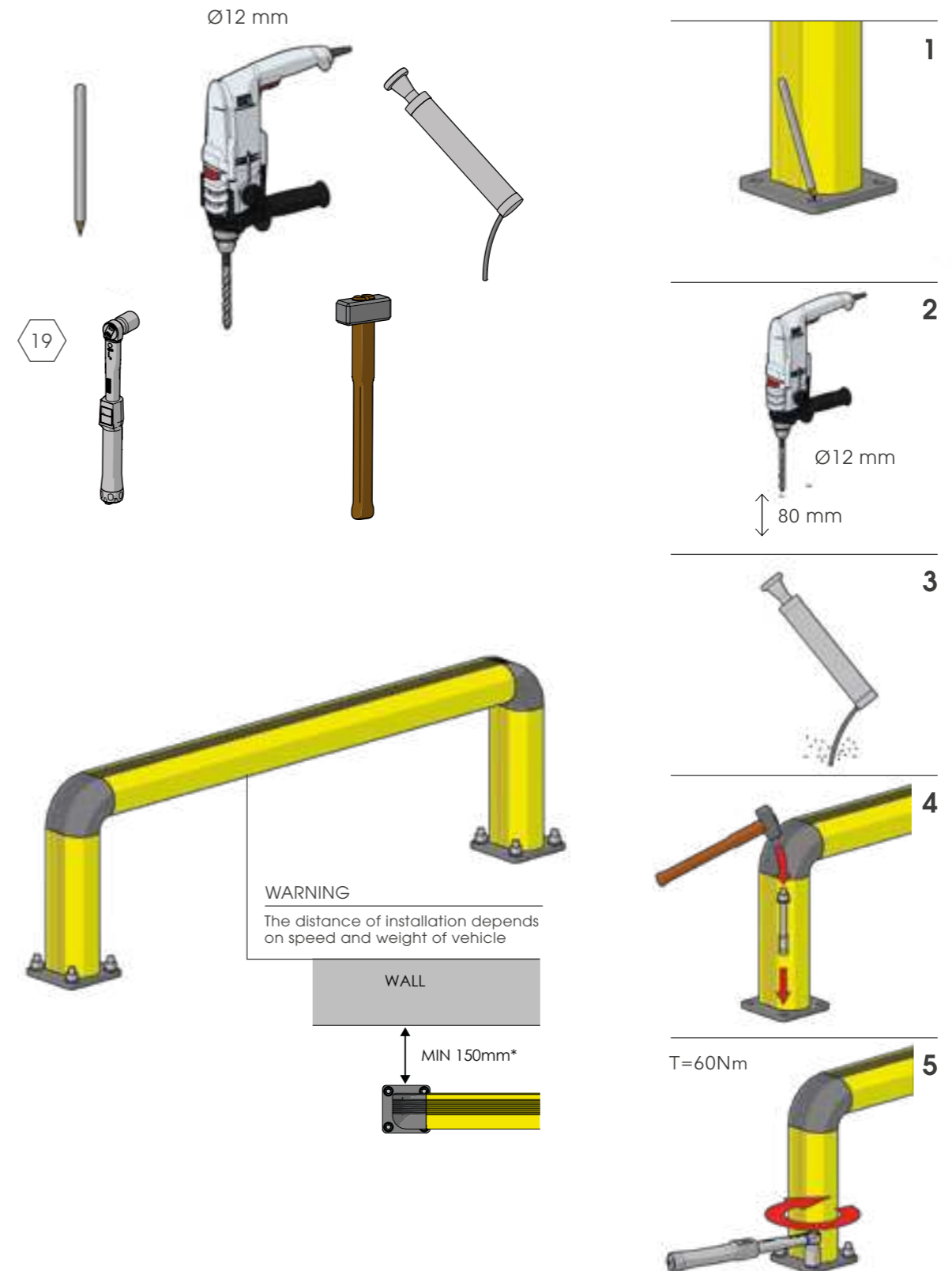
FENCE 90

BARRIERE DI PROTEZIONE PER SCAFFALI
RACK END BARRIER



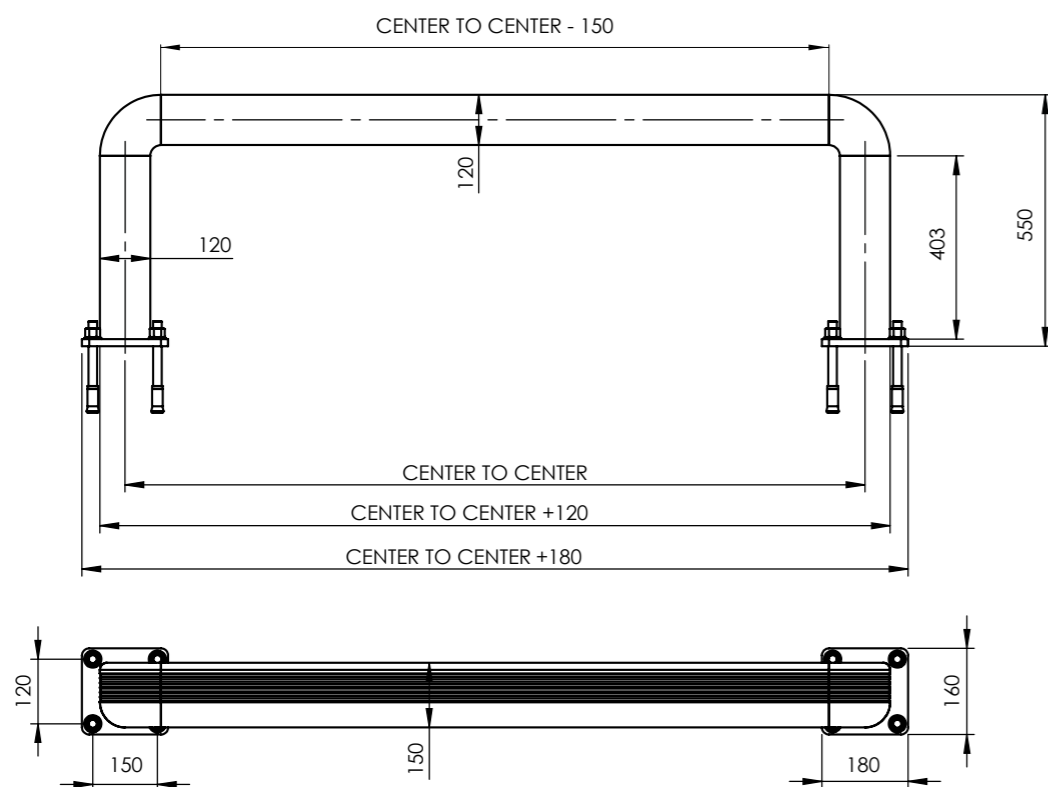
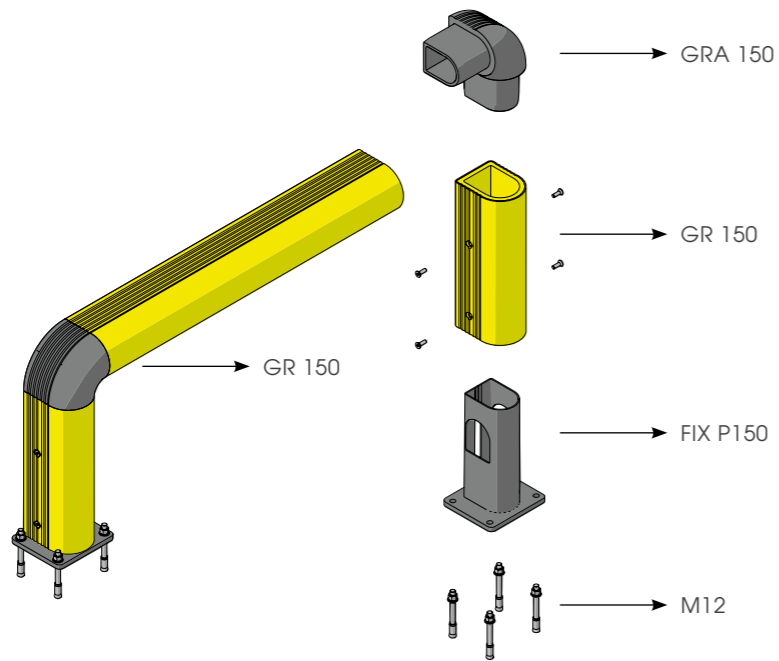
FENCE 90

ISTRUZIONI DI INSTALLAZIONE
ASSEMBLY INSTRUCTIONS



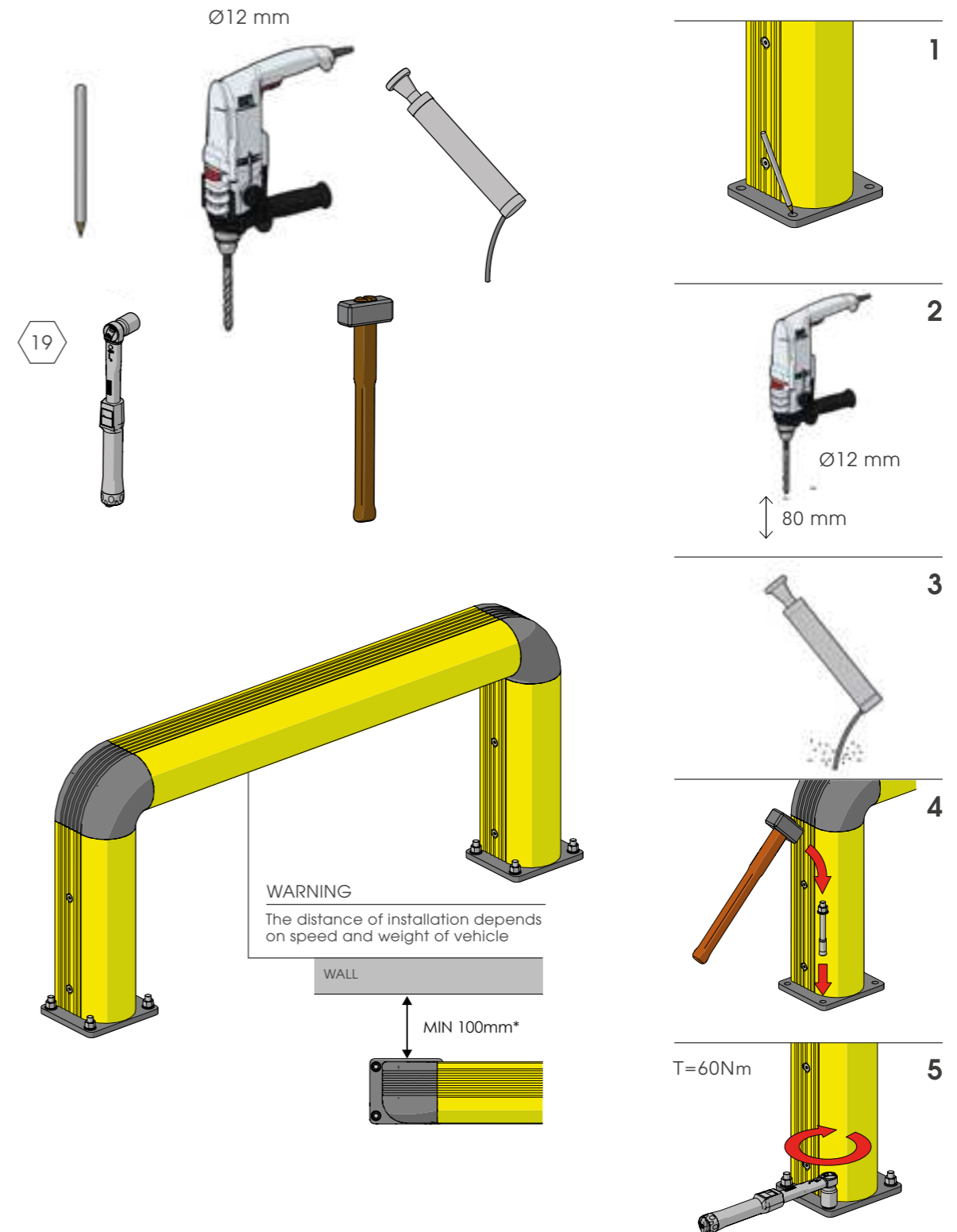
FENCE 150

BARRIERE DI PROTEZIONE PER SCAFFALI
RACK END BARRIER



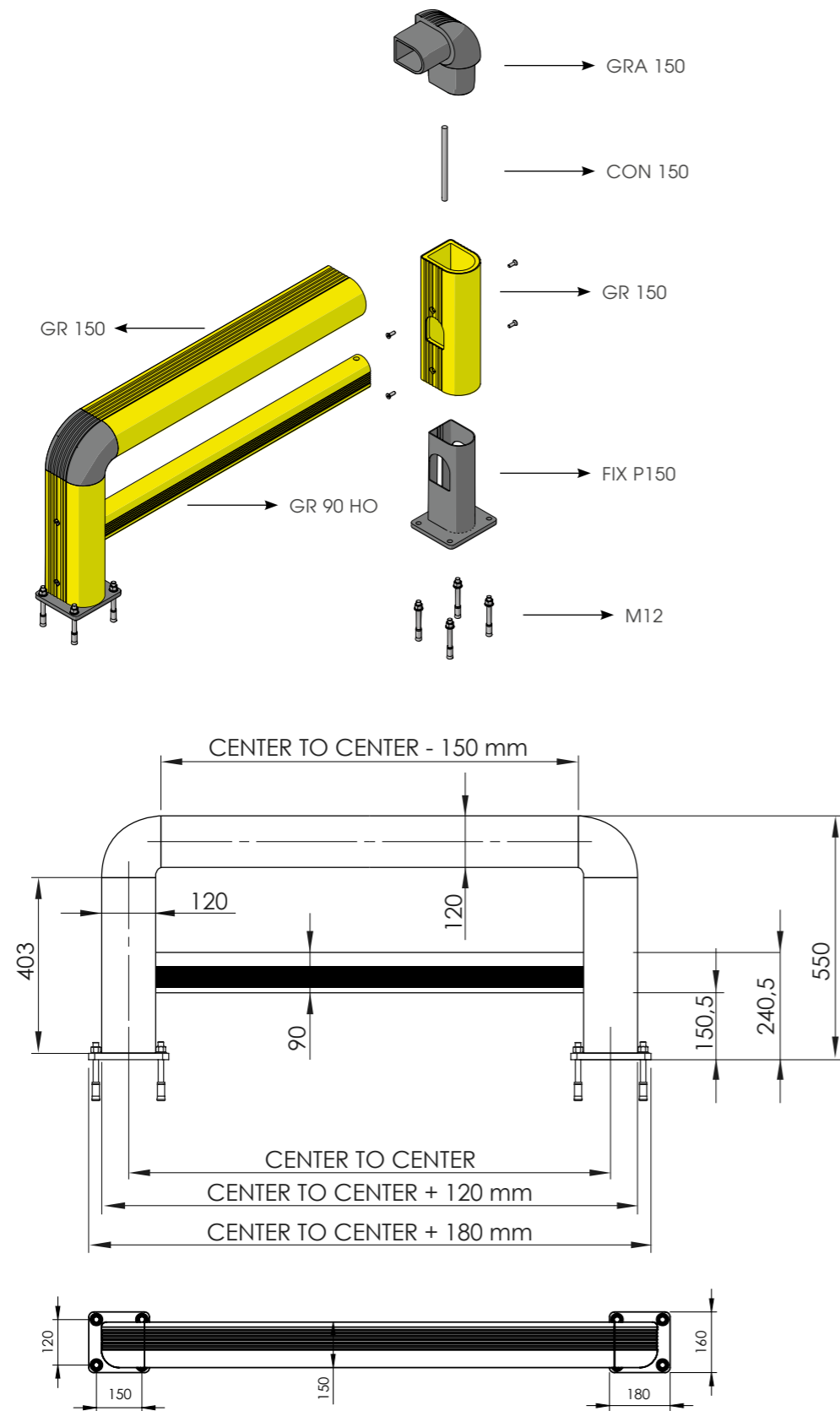
FENCE 150

ISTRUZIONI DI INSTALLAZIONE
ASSEMBLY INSTRUCTIONS



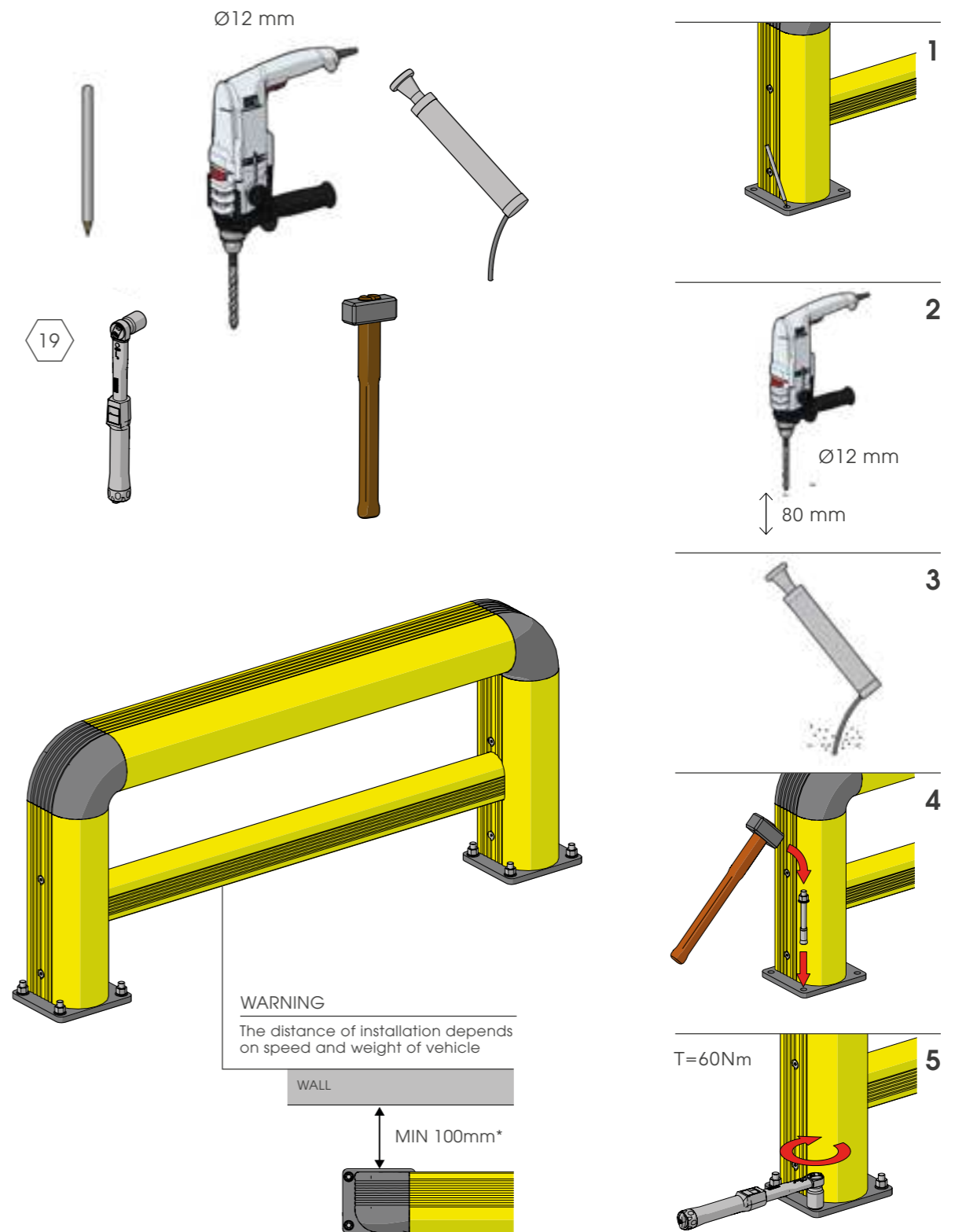
FENCE 150 REINFORCED

BARRIERE DI PROTEZIONE PER SCAFFALI
RACK END BARRIER



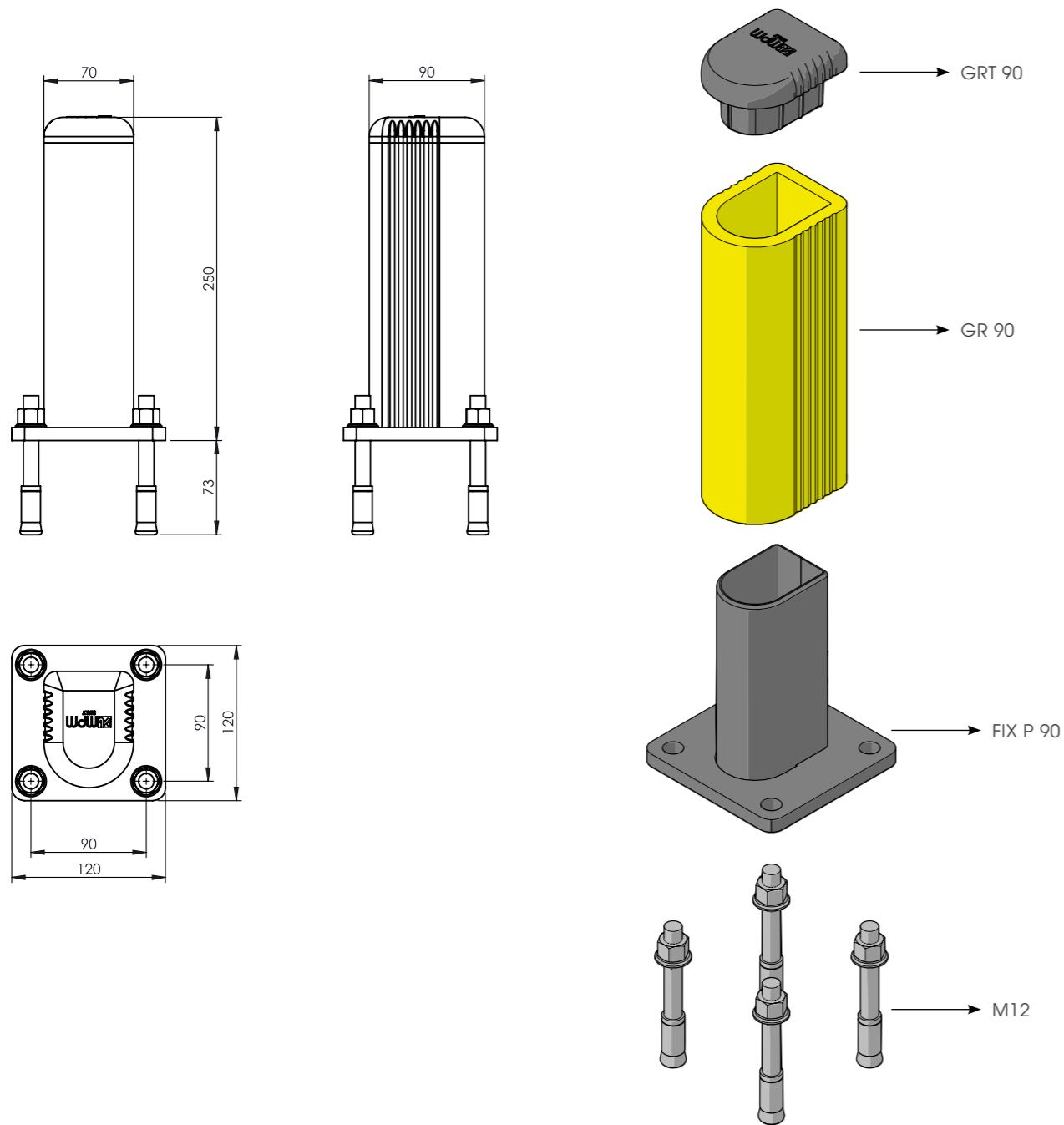
FENCE 150 REINFORCED

ISTRUZIONI DI INSTALLAZIONE
ASSEMBLY INSTRUCTIONS



GRD 90

PALO PROTEZIONE
BOLLARD

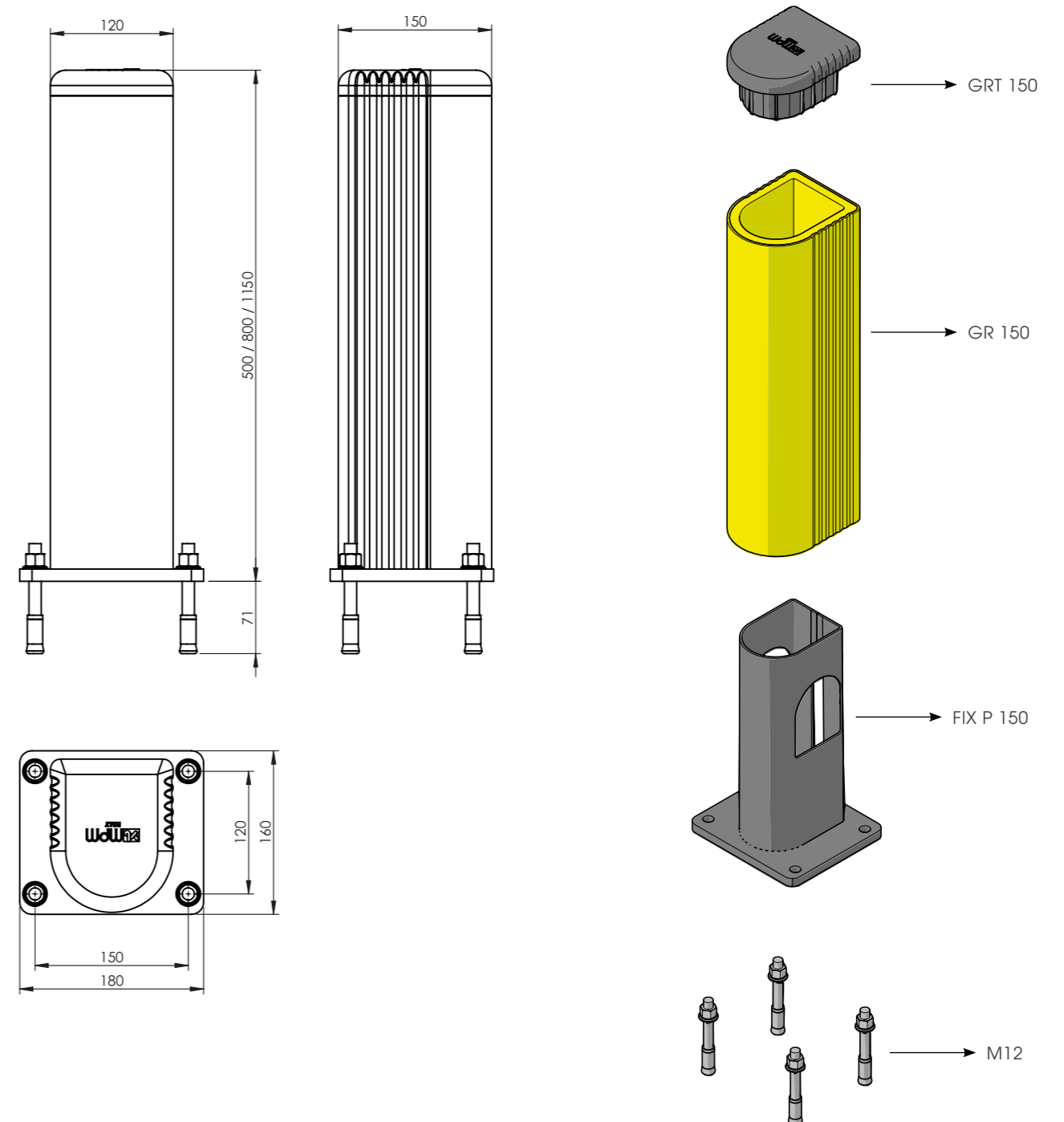


GRD 150

PALO PROTEZIONE
BOLLARD

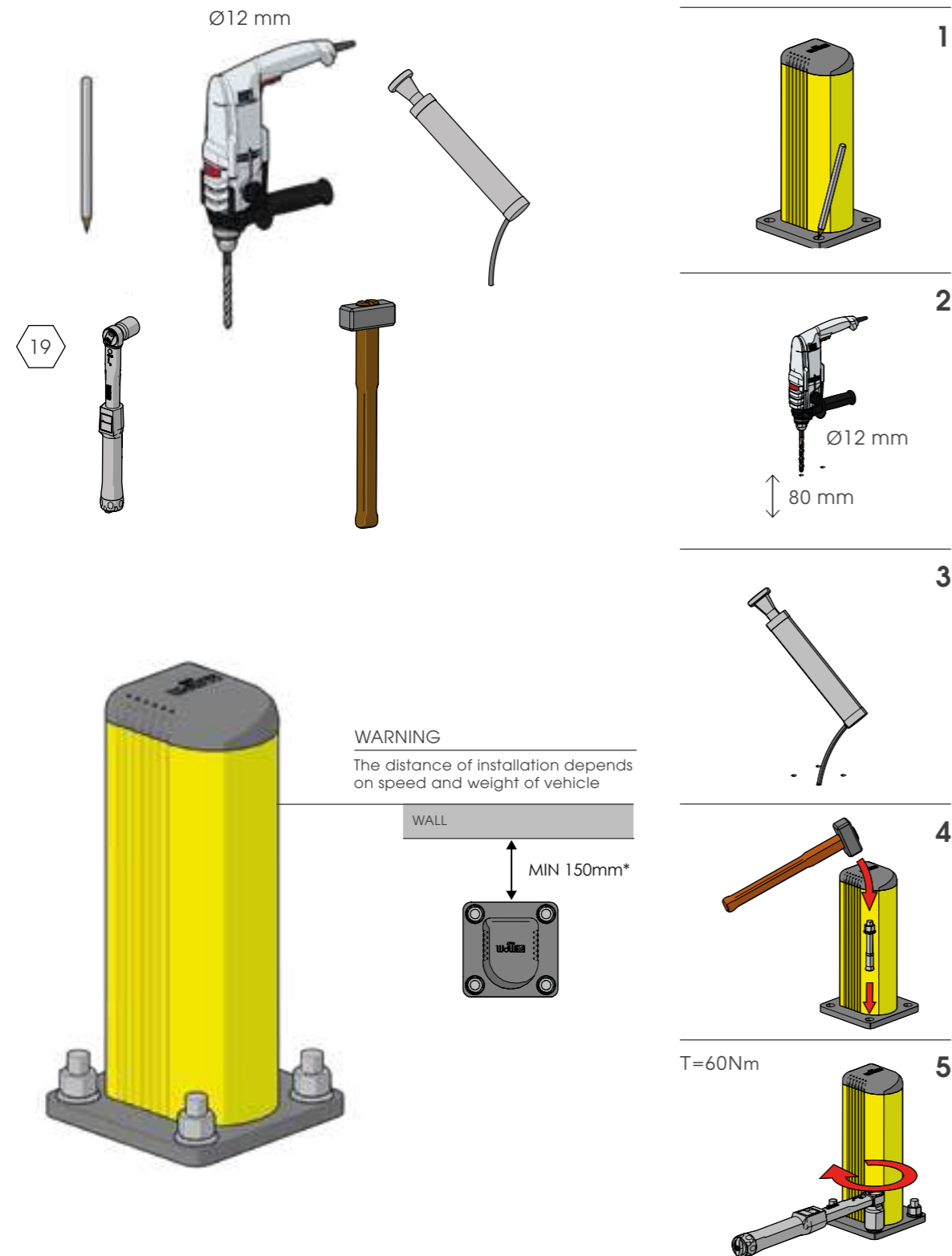


IMPACT TEST PASSED
according to
EN 15512:2009

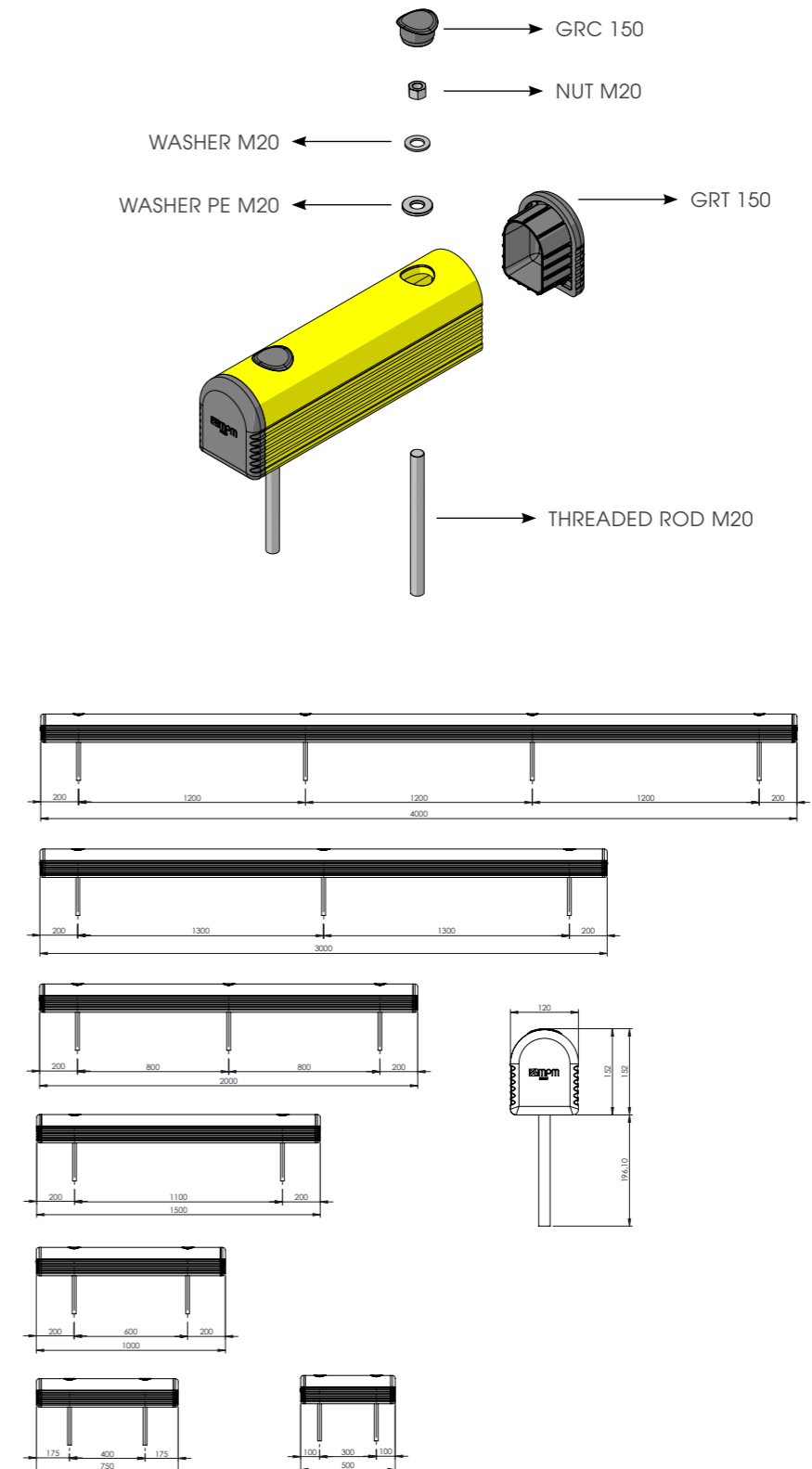


GRD 90/150

ISTRUZIONI DI INSTALLAZIONE
ASSEMBLY INSTRUCTIONS



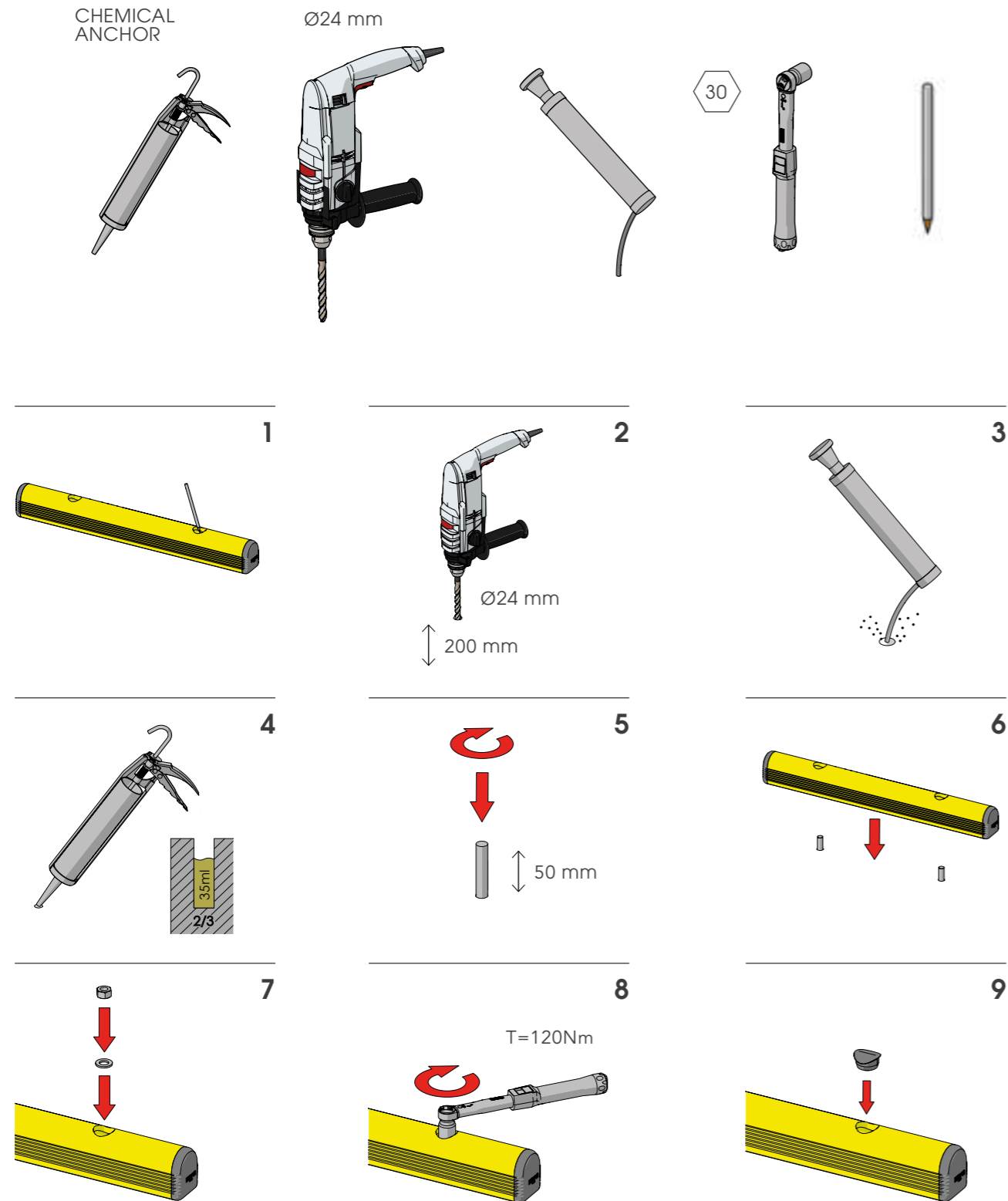
TRUCK LINE



TRUCK LINE

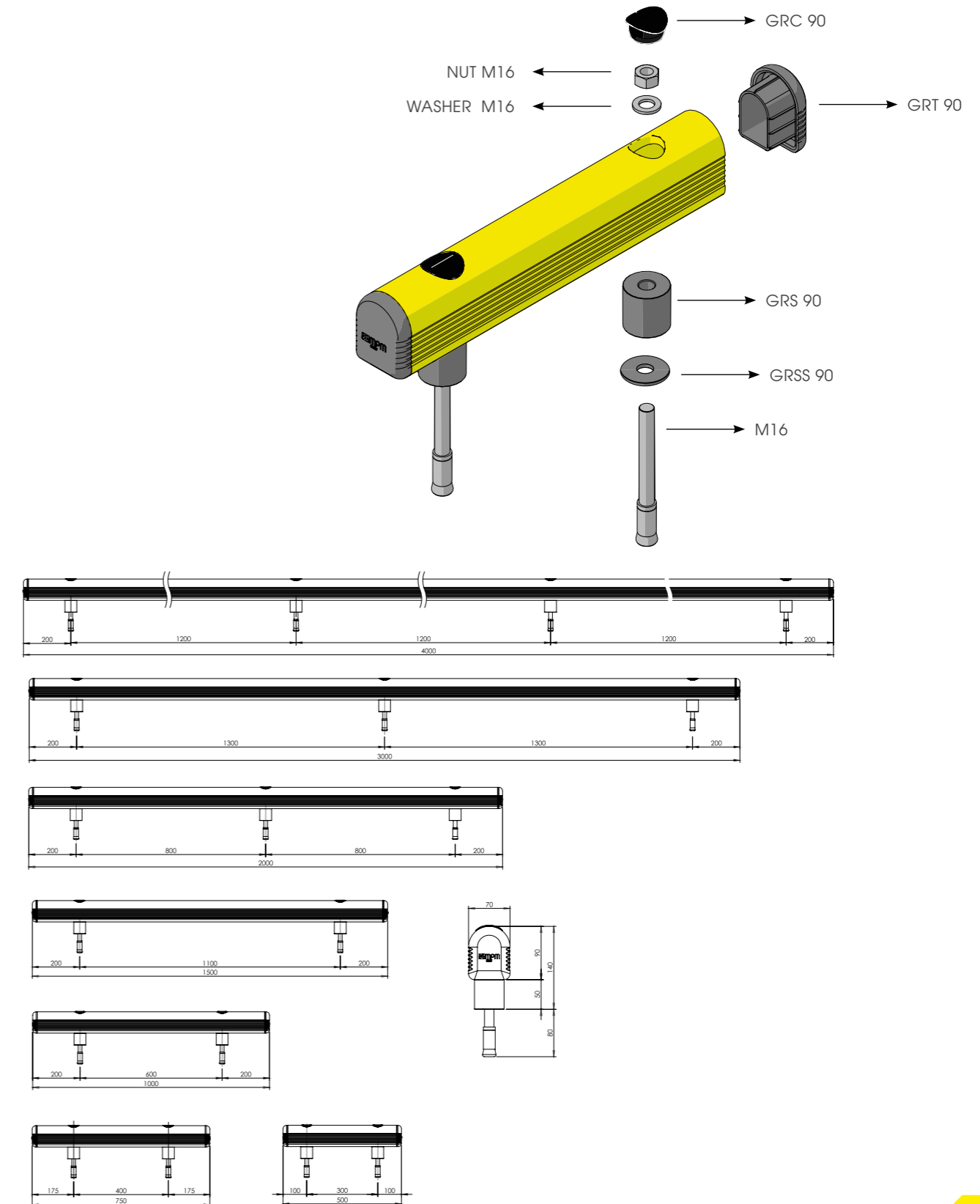
ISTRUZIONI DI INSTALLAZIONE
ASSEMBLY INSTRUCTIONS

WARNING
The distance of installation depends
on speed and weight of vehicle



GR 90

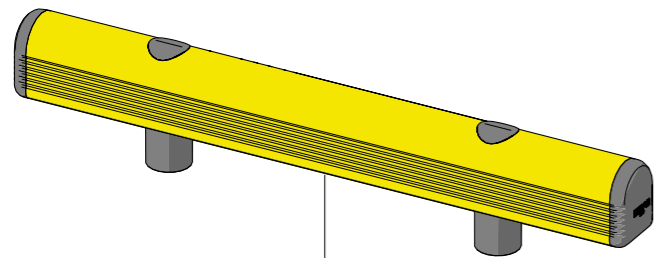
BARRIERA SINGOLA
SINGLE-RAIL BARRIER



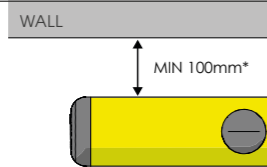
GR 90

ISTRUZIONI DI INSTALLAZIONE
ASSEMBLY INSTRUCTIONS

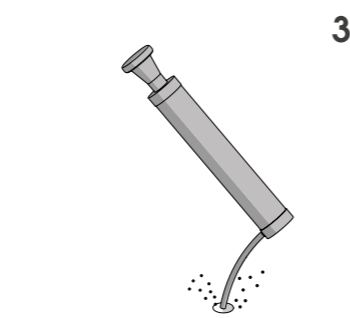
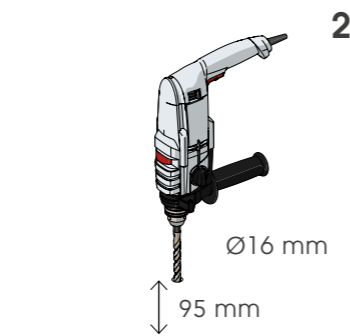
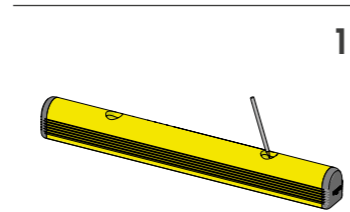
WITH EXPANSION SCREW



WARNING
The distance of installation depends on speed and weight of vehicle



M16 GALVANISED STEEL

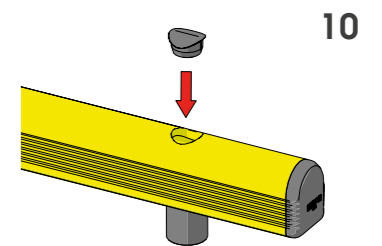
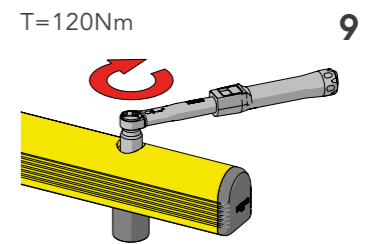
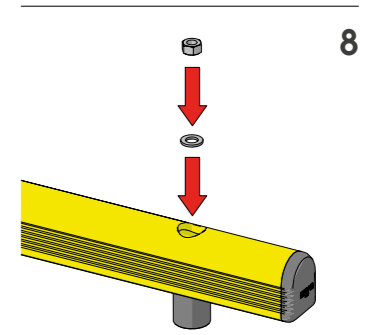
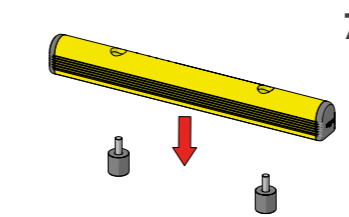
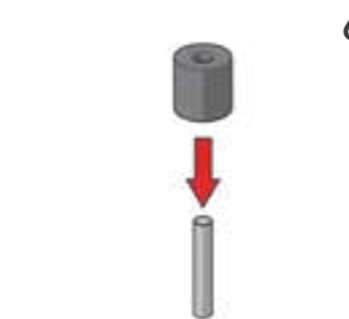
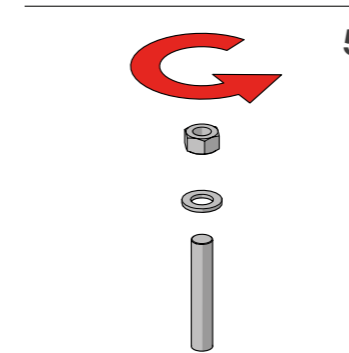


GR 90

ISTRUZIONI DI INSTALLAZIONE
ASSEMBLY INSTRUCTIONS

WITH EXPANSION SCREW

M16 GALVANISED STEEL



GR 90

ISTRUZIONI DI INSTALLAZIONE
ASSEMBLY INSTRUCTIONS



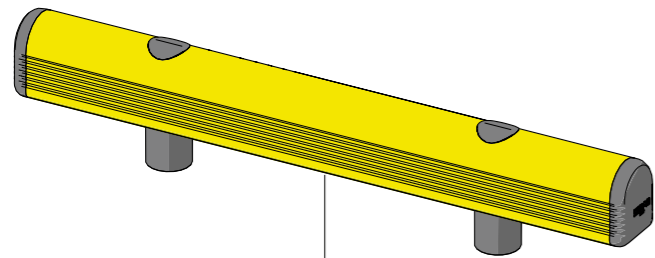
WITH RESIN

CHEMICAL ANCHOR

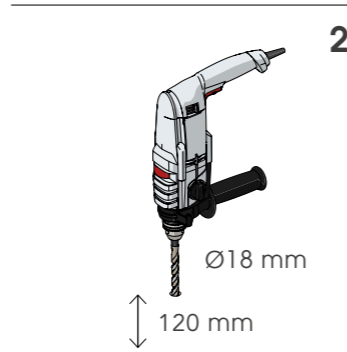
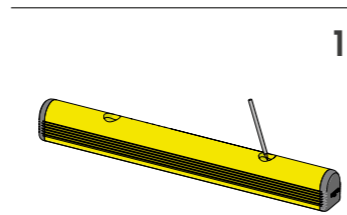
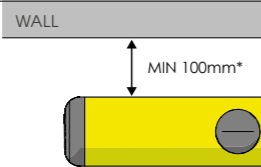
Ø18 mm



24



WARNING
The distance of installation depends on speed and weight of vehicle

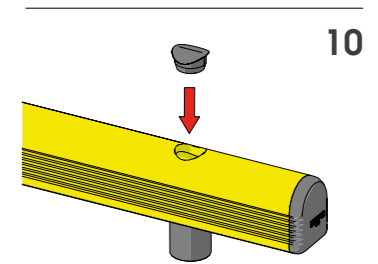
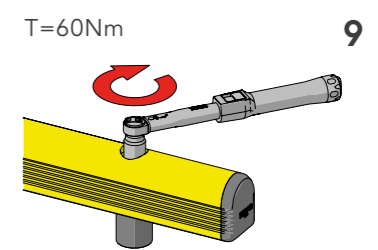
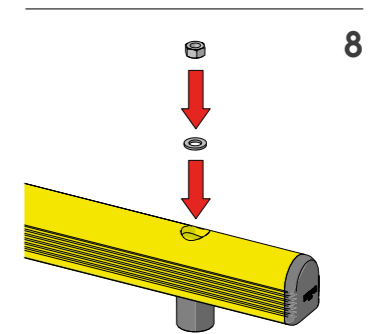
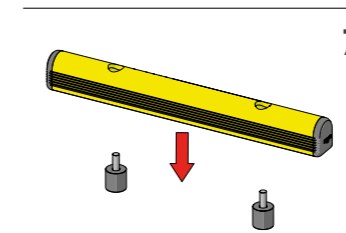
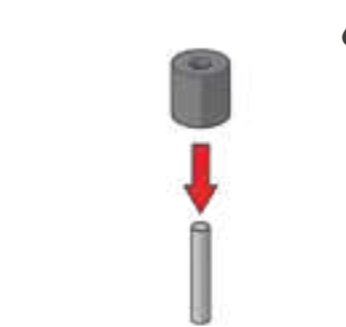
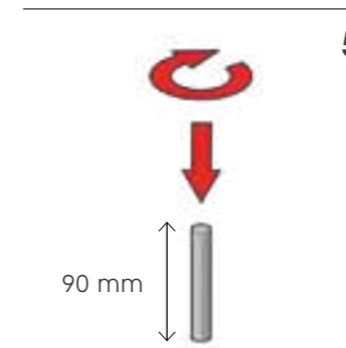


GR 90

ISTRUZIONI DI INSTALLAZIONE
ASSEMBLY INSTRUCTIONS

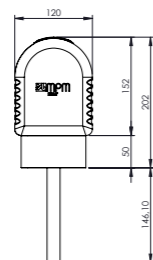
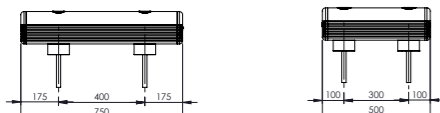
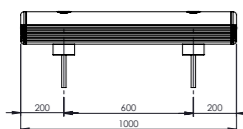
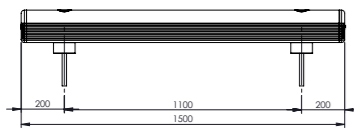
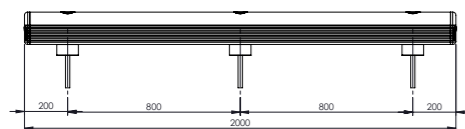
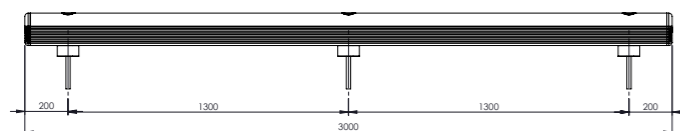
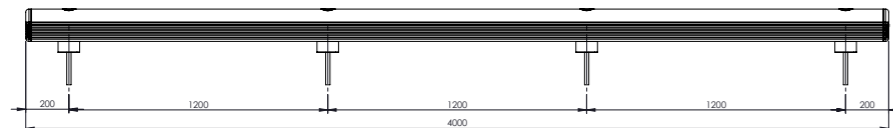
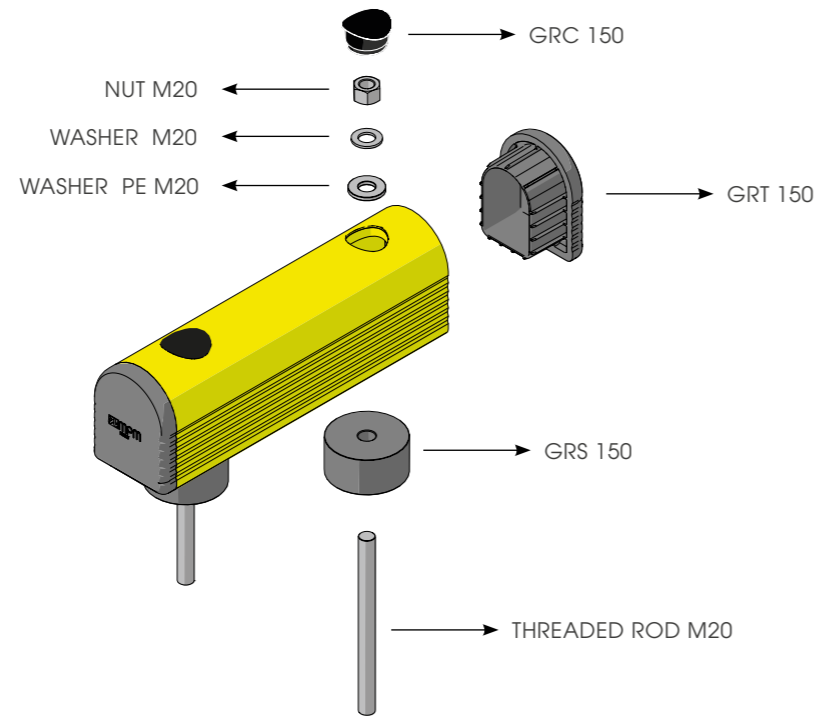


WITH RESIN



GR 150

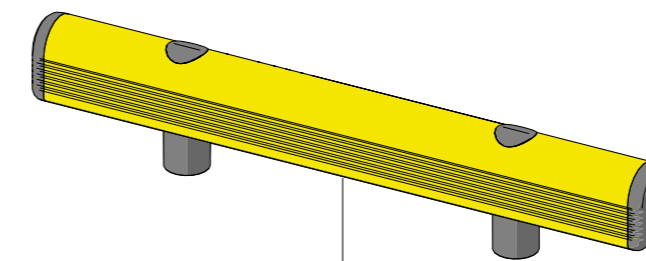
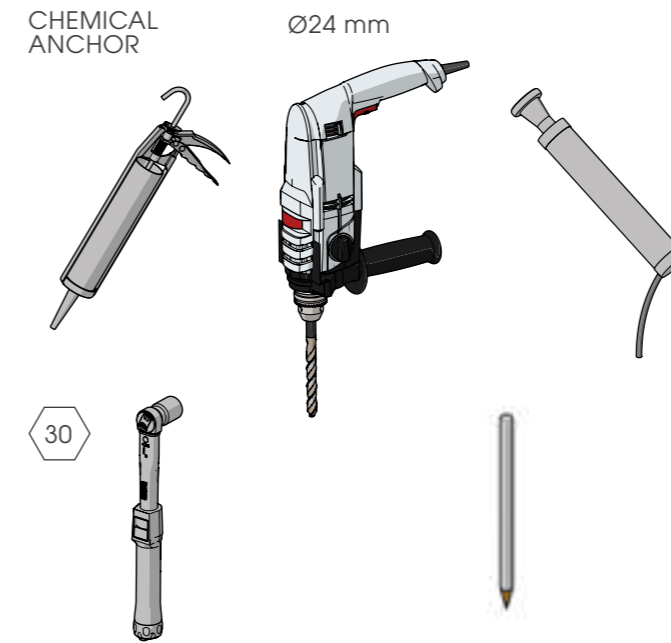
BARRIERA SINGOLA
SINGLE-RAIL BARRIER



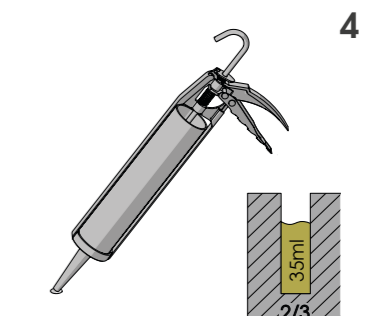
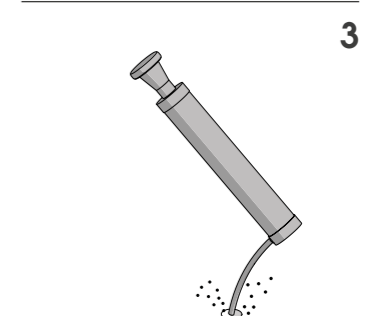
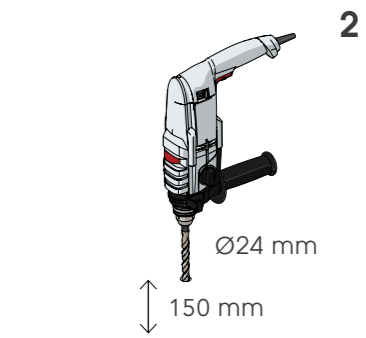
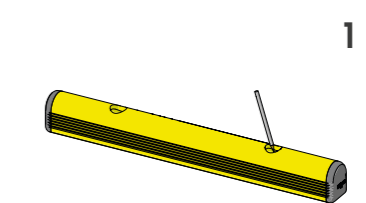
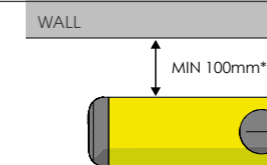
GR 150

ISTRUZIONI DI INSTALLAZIONE
ASSEMBLY INSTRUCTIONS

ONLY WITH RESIN



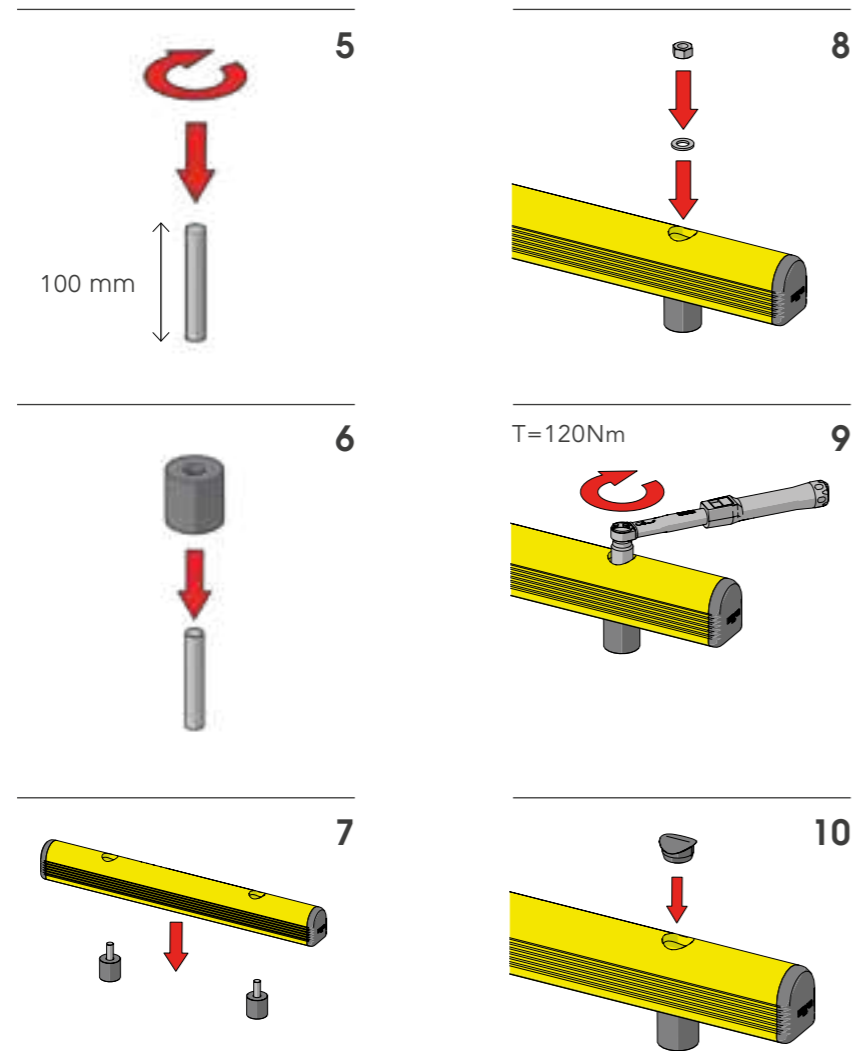
WARNING
The distance of installation depends on speed and weight of vehicle



GR 150

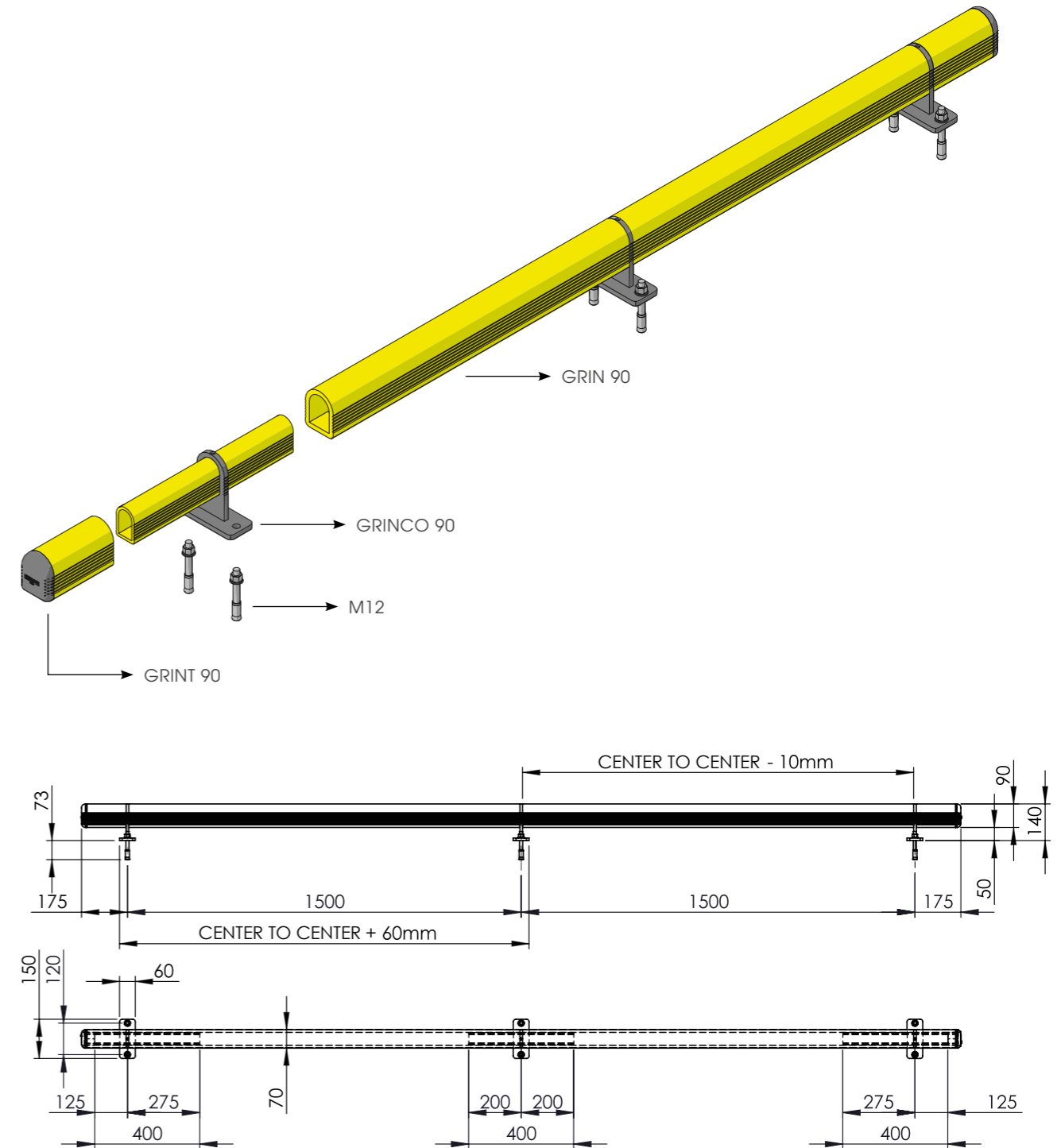
ISTRUZIONI DI INSTALLAZIONE
ASSEMBLY INSTRUCTIONS

ONLY WITH RESIN



GRIN 90

GUARD RAIL CONTINUO
CONTINUOUS GUARD RAIL

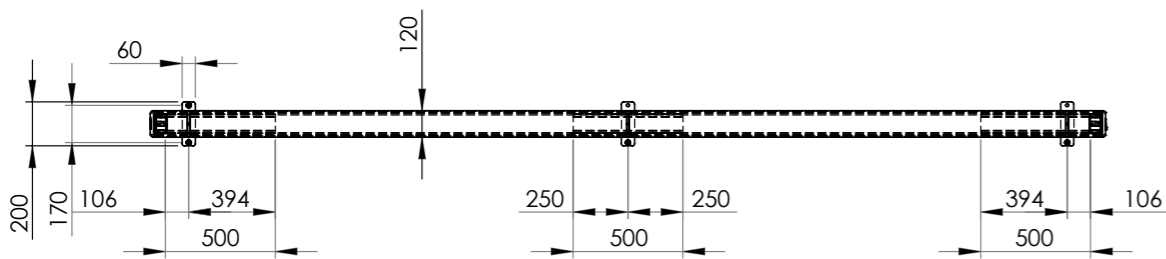
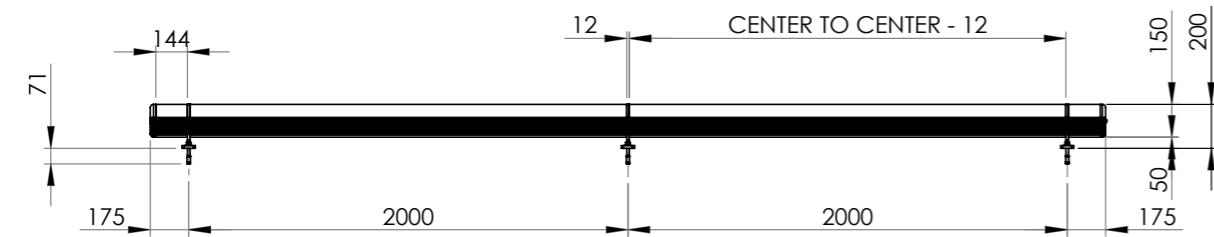
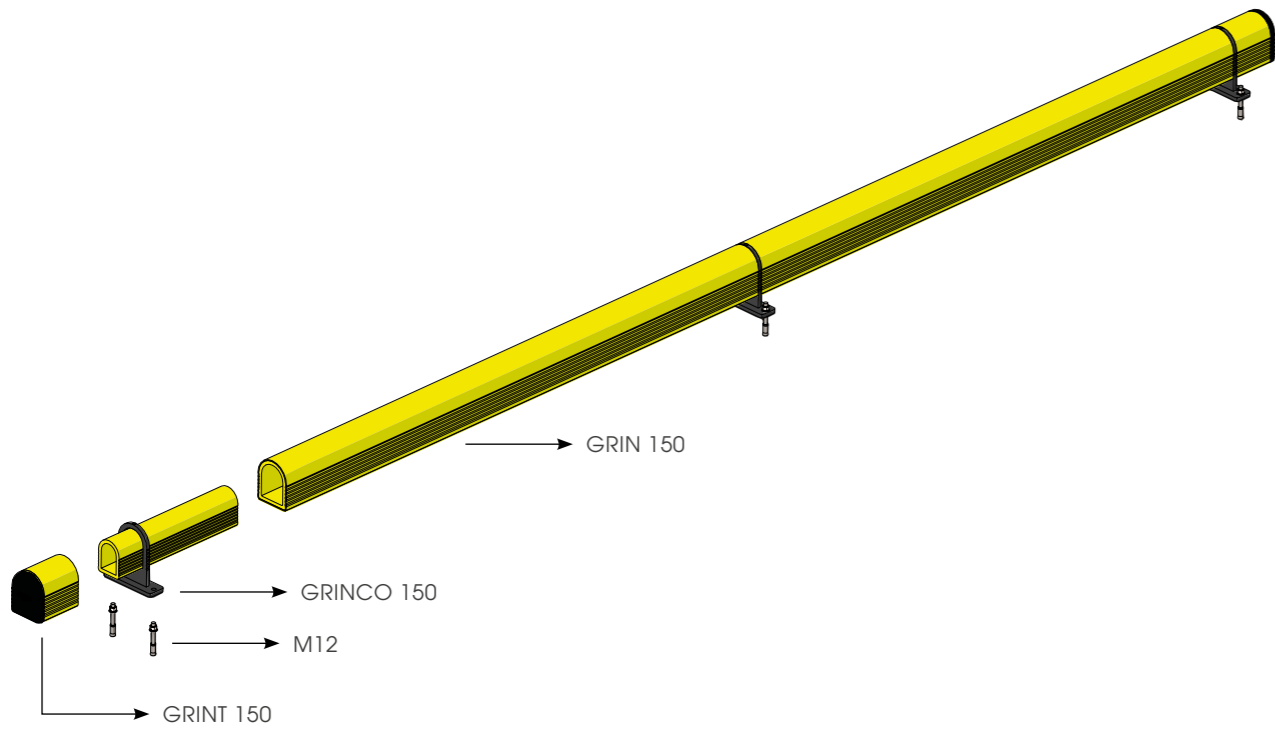


GRIN 150

GUARD RAIL CONTINUO
CONTINUOUS GUARD RAIL

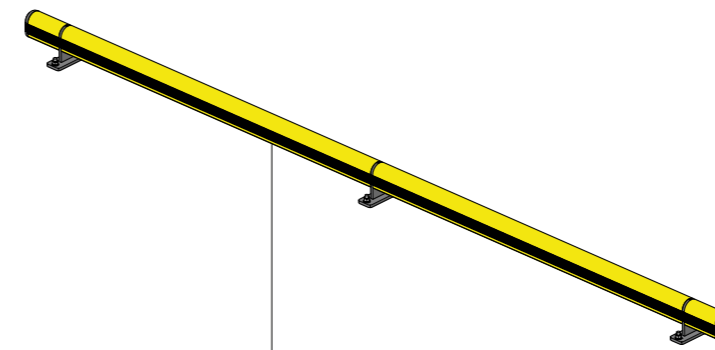
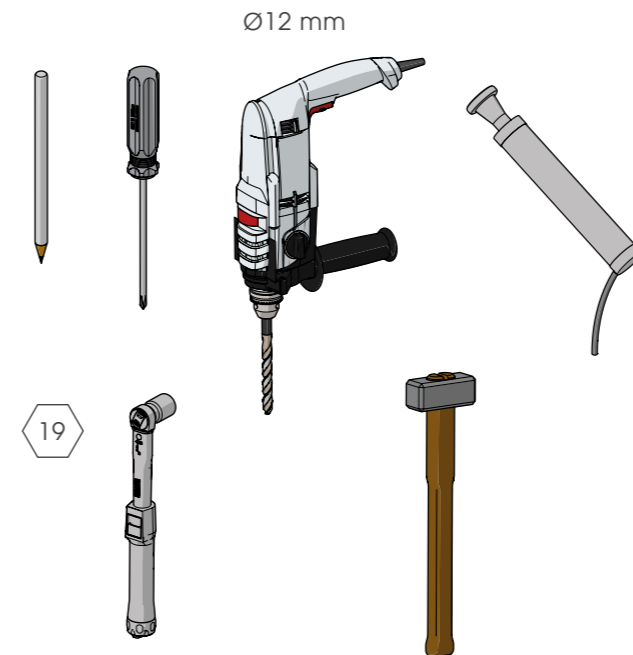


IMPACT TEST PASSED
according to
AFNORNP P98-310

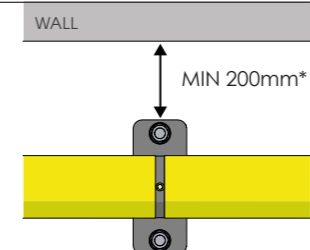


GRIN 90/150

ISTRUZIONI DI INSTALLAZIONE
ASSEMBLY INSTRUCTIONS



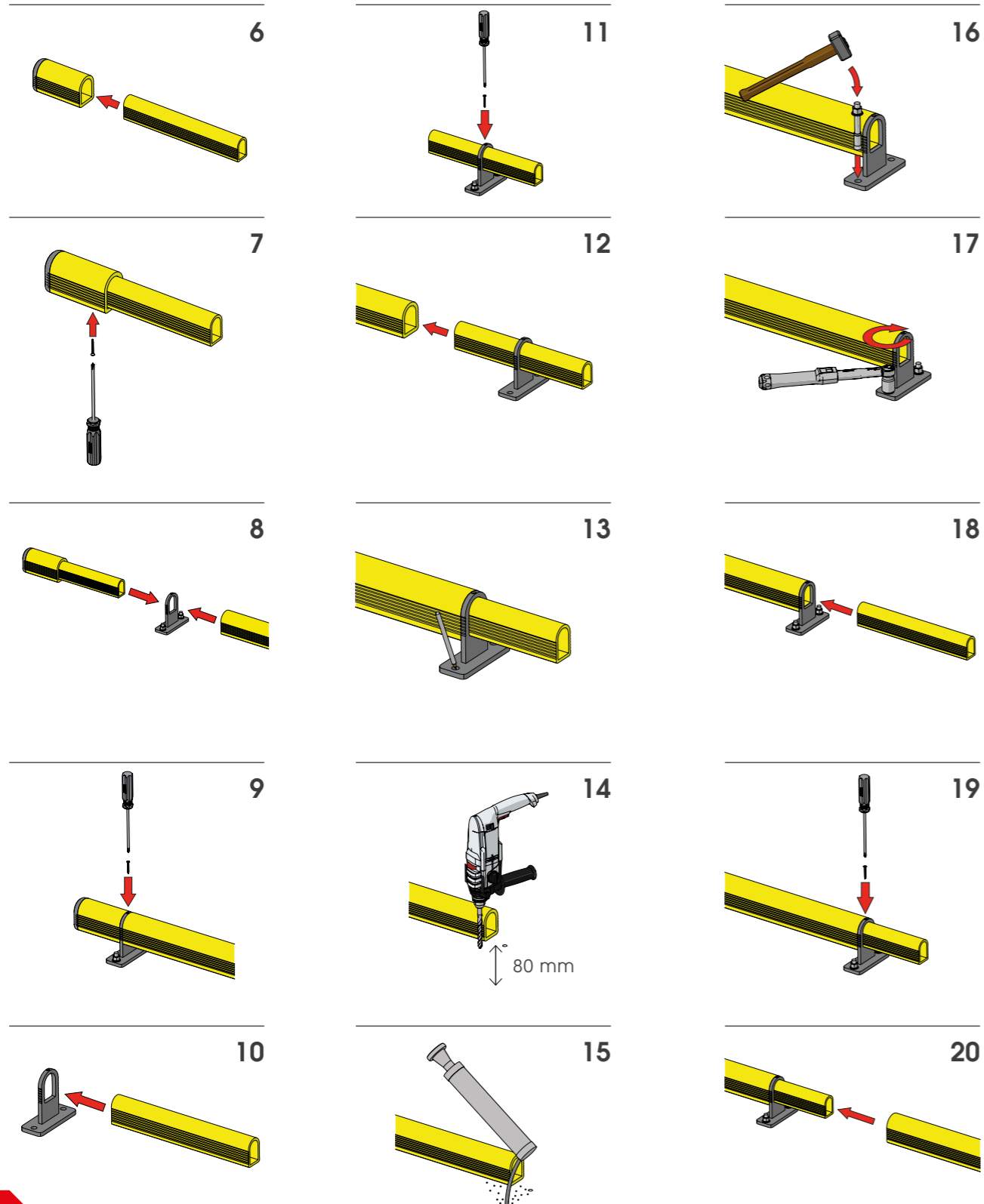
WARNING
The distance of installation depends on speed and weight of vehicle



- 1
- 2
- 3
- 4
- 5

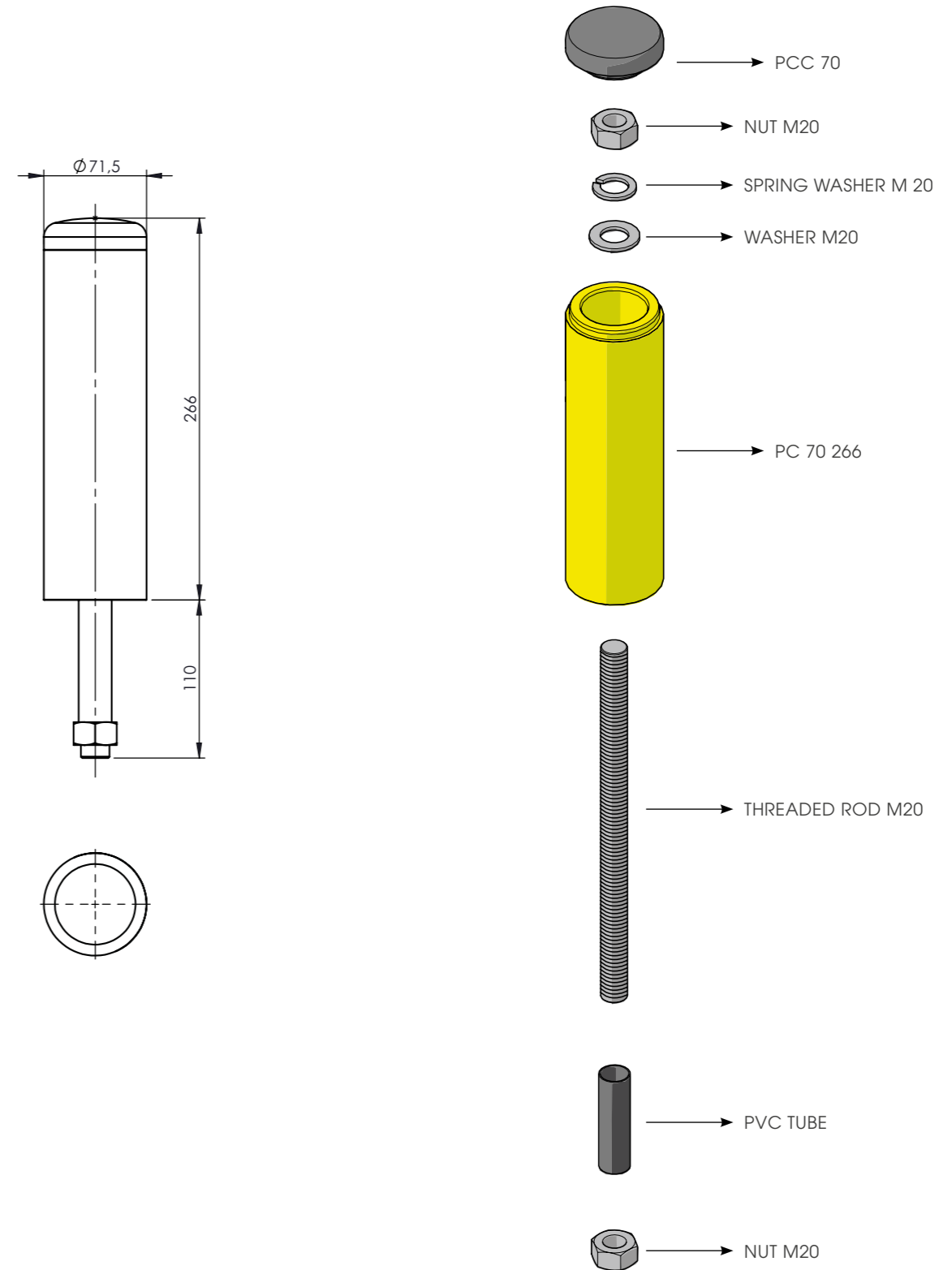
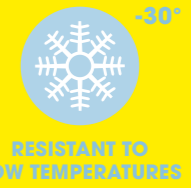
GRIN 90/150

ISTRUZIONI DI INSTALLAZIONE
ASSEMBLY INSTRUCTIONS



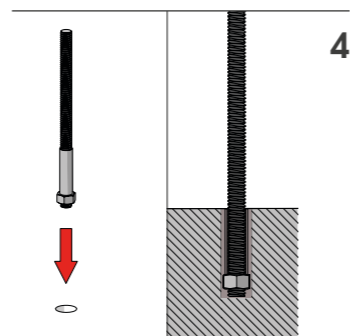
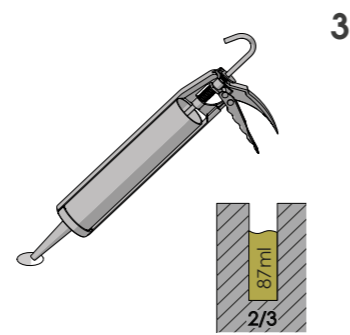
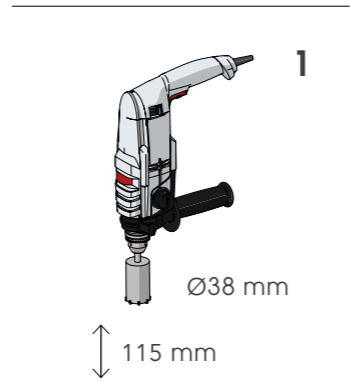
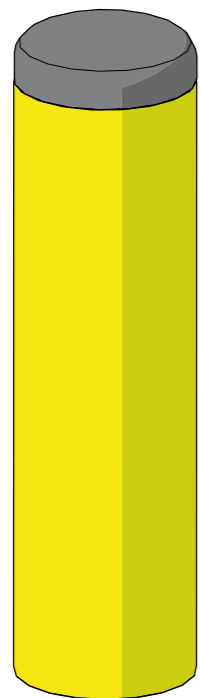
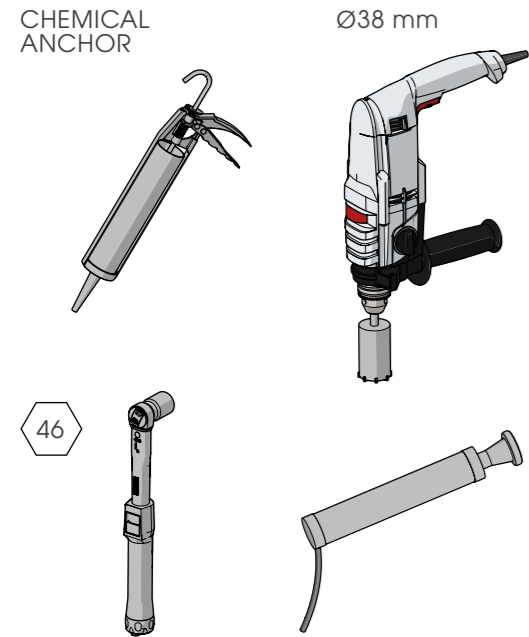
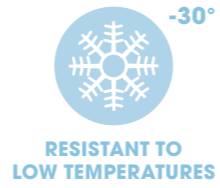
ROD PE 70

PALO PROTEZIONE
BOLLARD



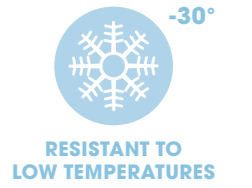
ROD PE 70

ISTRUZIONI DI INSTALLAZIONE
ASSEMBLY INSTRUCTIONS

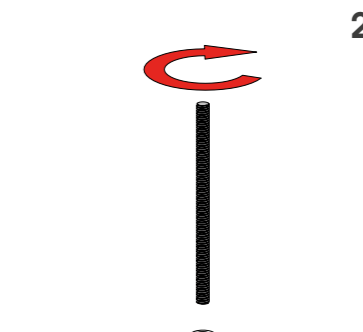
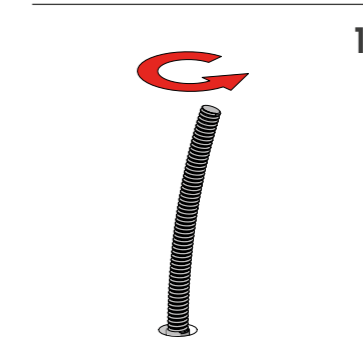
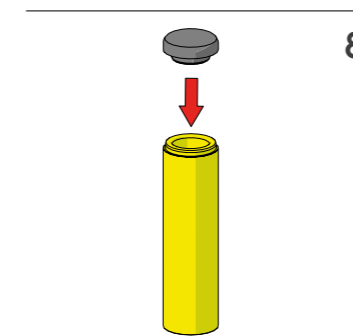
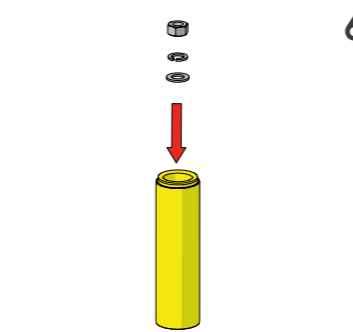
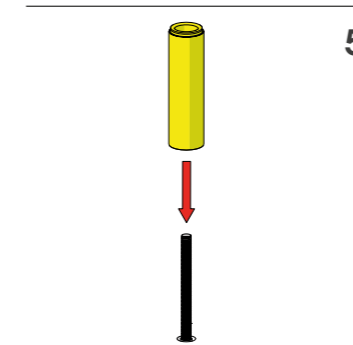


ROD PE 70

ISTRUZIONI DI INSTALLAZIONE
ASSEMBLY INSTRUCTIONS

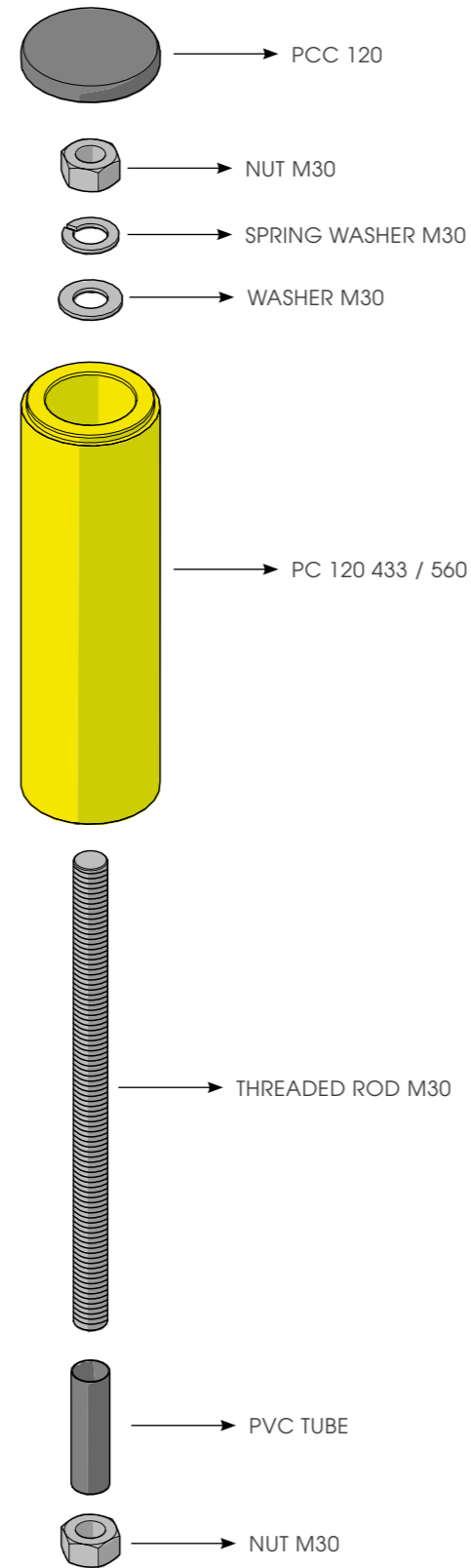
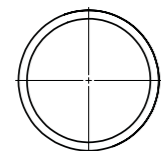
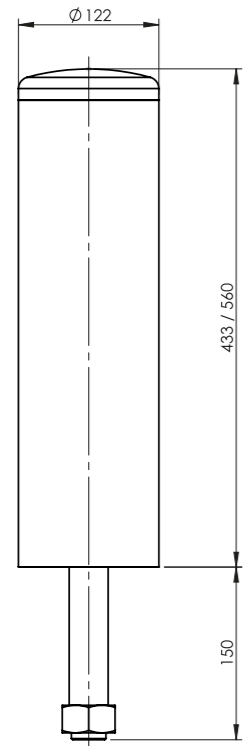
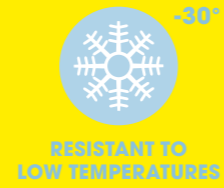


ROD REPLACEMENT



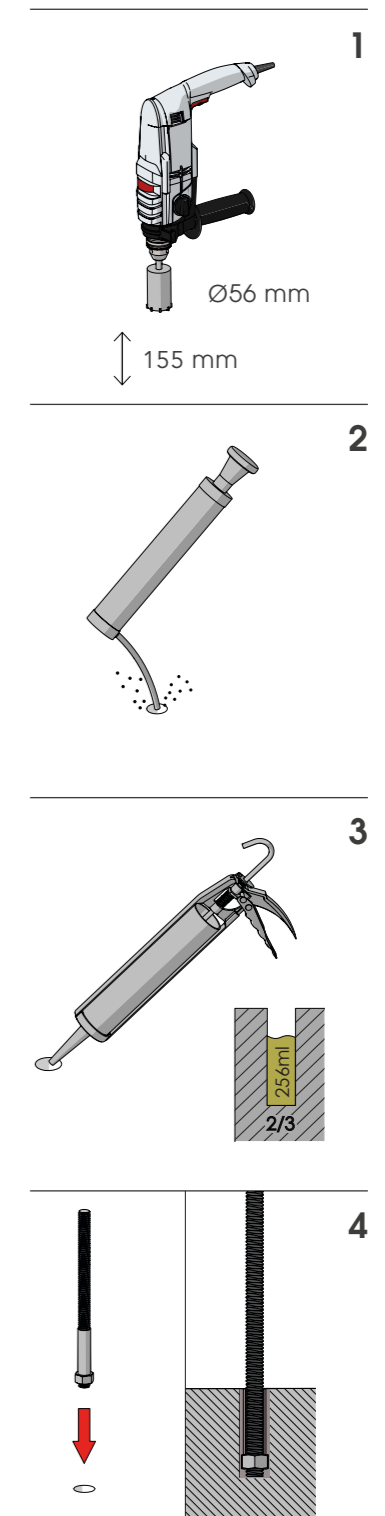
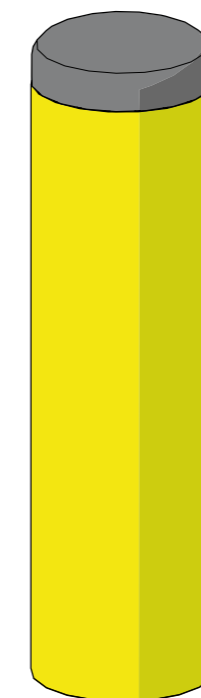
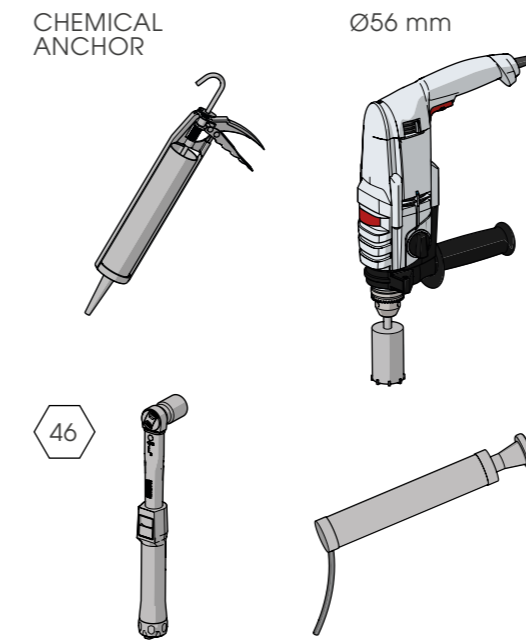
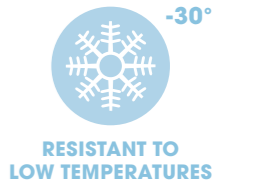
ROD PE 120

PALO PROTEZIONE
BOLLARD



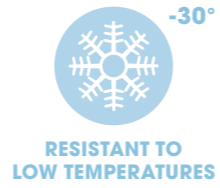
ROD PE 120

ISTRUZIONI DI INSTALLAZIONE
ASSEMBLY INSTRUCTIONS

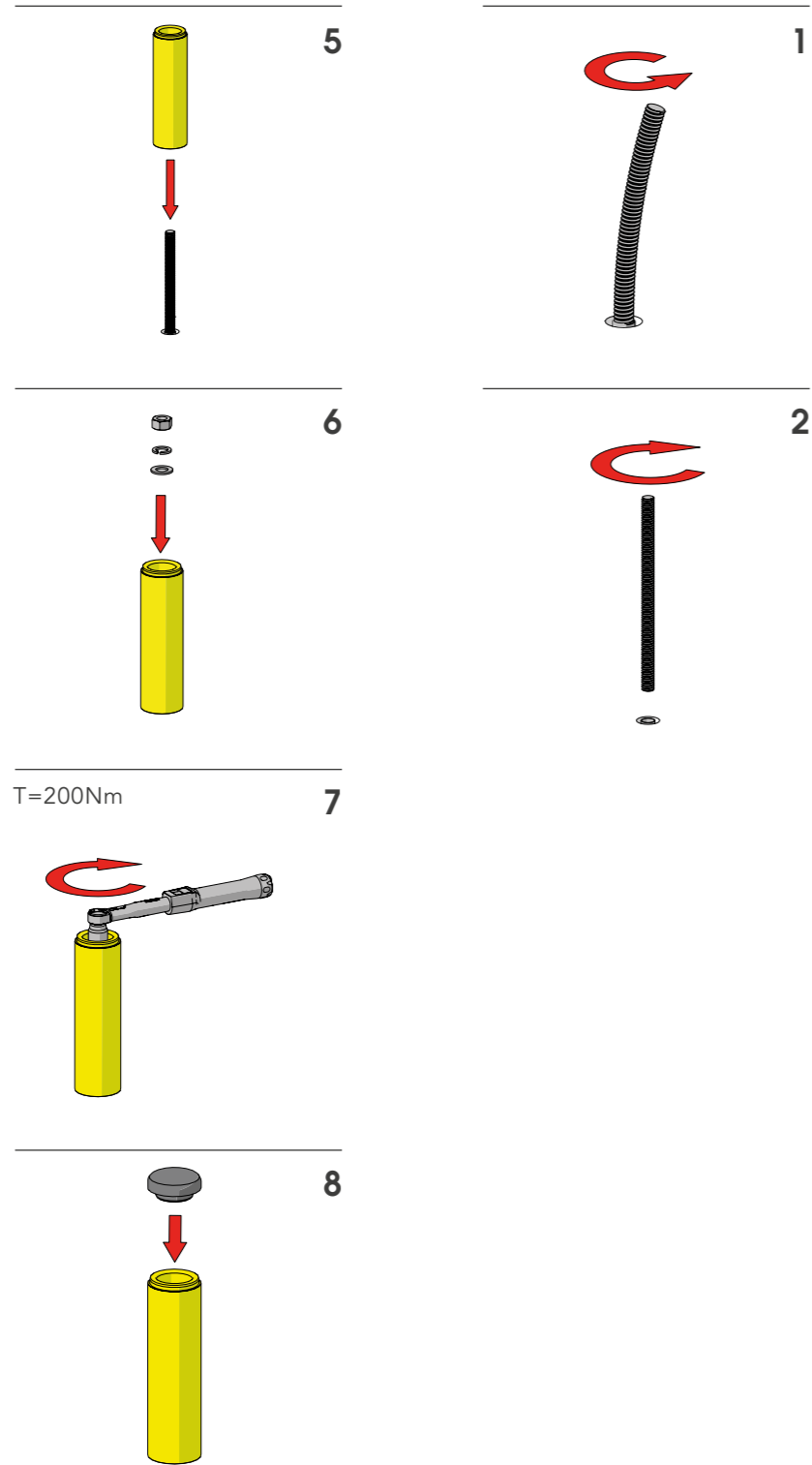


ROD PE 120

ISTRUZIONI DI INSTALLAZIONE
ASSEMBLY INSTRUCTIONS

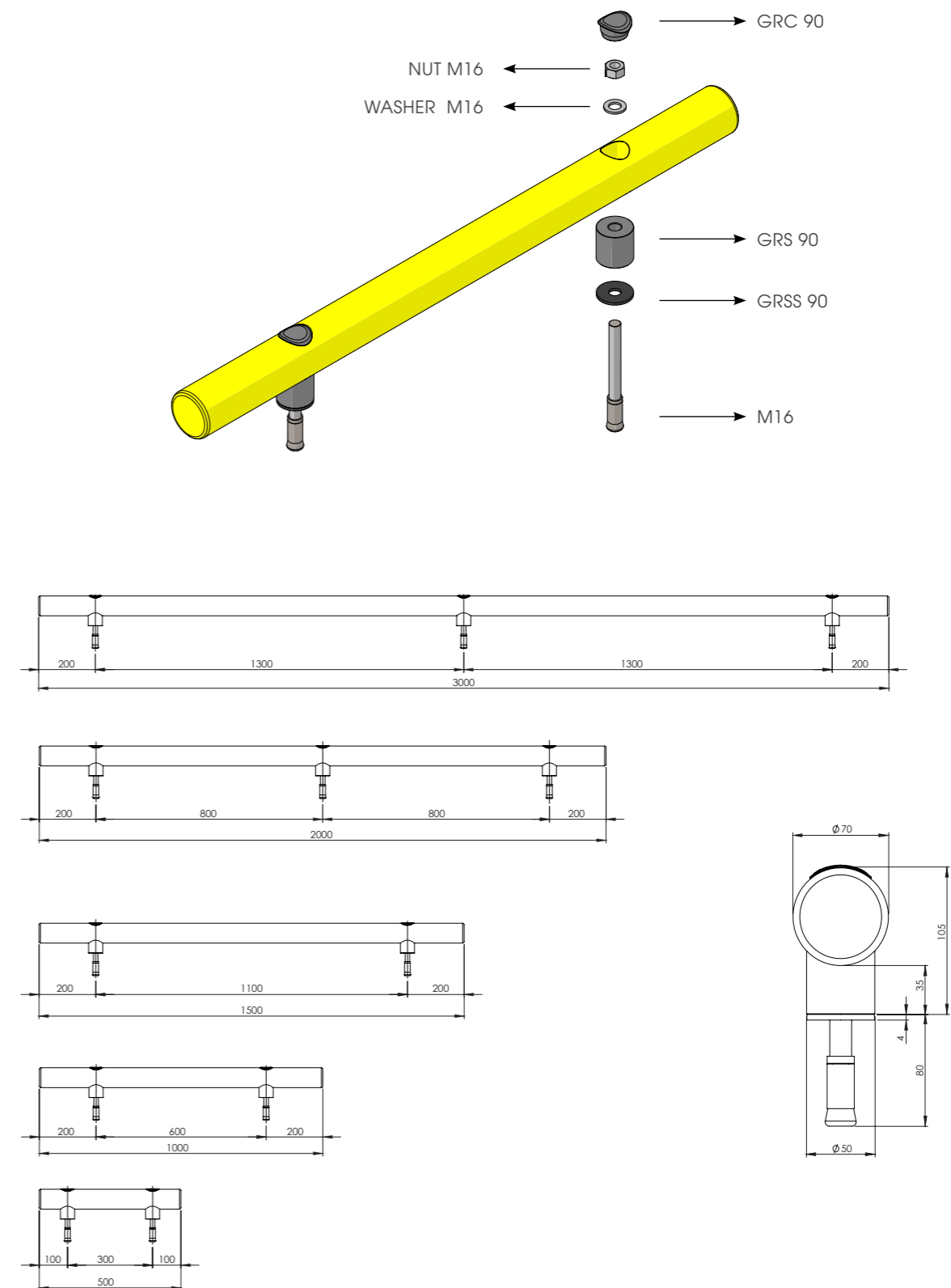
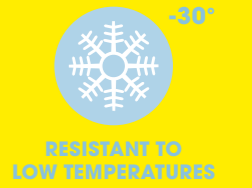


ROD REPLACEMENT



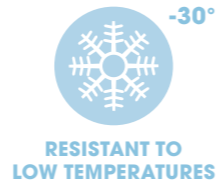
ROD FLOOR 70

BARRIERA SINGOLA
SINGLE-RAIL BARRIER



ROD FLOOR 70

ISTRUZIONI DI INSTALLAZIONE
ASSEMBLY INSTRUCTIONS



M16 GALVANISED STEEL

WITH EXPANSION SCREW

Ø16 mm

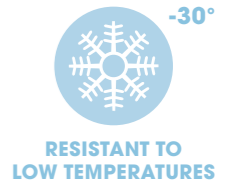
24

WARNING
The distance of installation depends on speed and weight of vehicle

- 1
- 2
- 3
- 4

ROD FLOOR 70

ISTRUZIONI DI INSTALLAZIONE
ASSEMBLY INSTRUCTIONS



M16 GALVANISED STEEL

WITH EXPANSION SCREW

- 5
- 6
- 7
- 8
- 9
- 10

ROD FLOOR 70

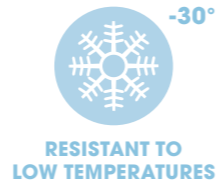
ISTRUZIONI DI INSTALLAZIONE
ASSEMBLY INSTRUCTIONS



M16 STAINLESS STEEL



ANCHOR



RESISTANT TO
LOW TEMPERATURES

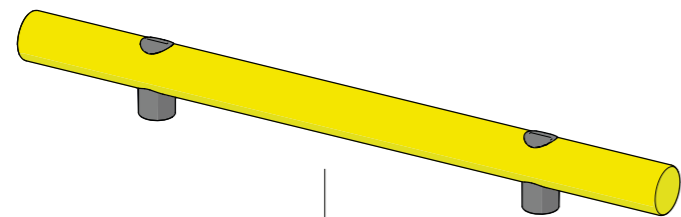
WITH RESIN

CHEMICAL ANCHOR

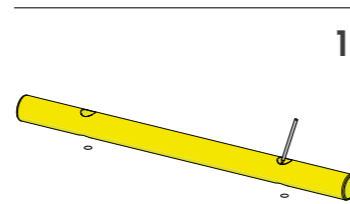
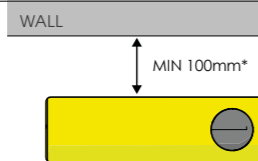
Ø18 mm



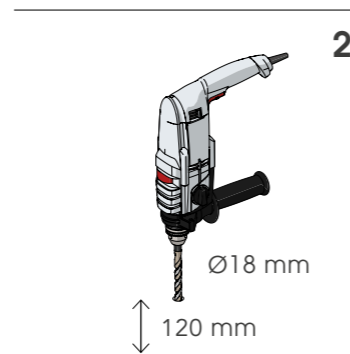
24



WARNING
The distance of installation depends on speed and weight of vehicle



1



2



3



4

ROD FLOOR 70

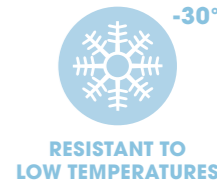
ISTRUZIONI DI INSTALLAZIONE
ASSEMBLY INSTRUCTIONS



M16 STAINLESS STEEL

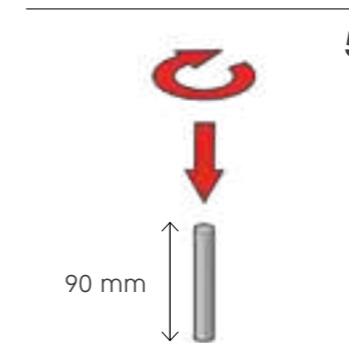


ANCHOR

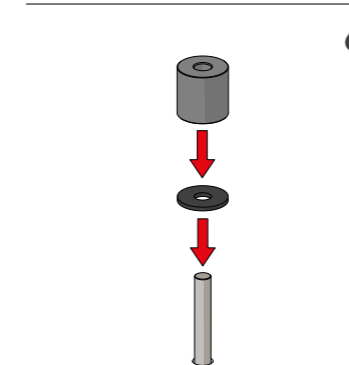


RESISTANT TO
LOW TEMPERATURES

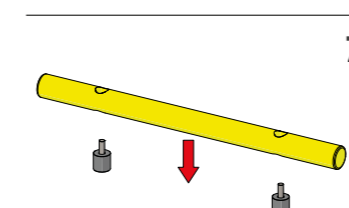
WITH RESIN



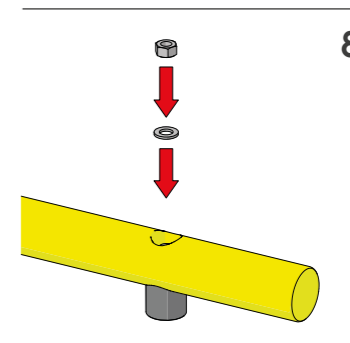
5



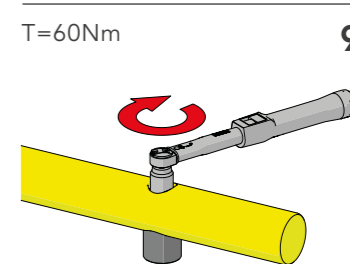
6



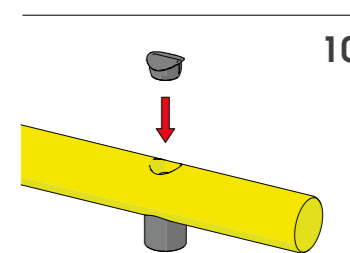
7



8



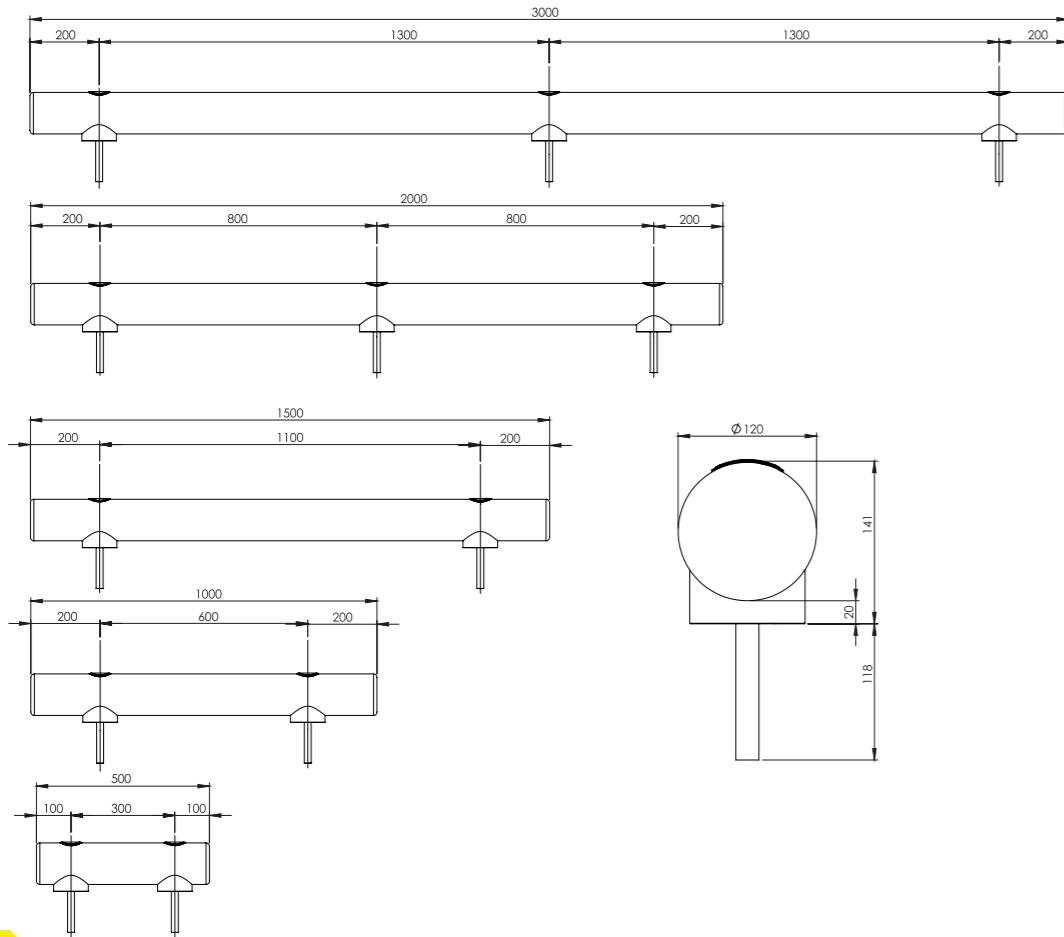
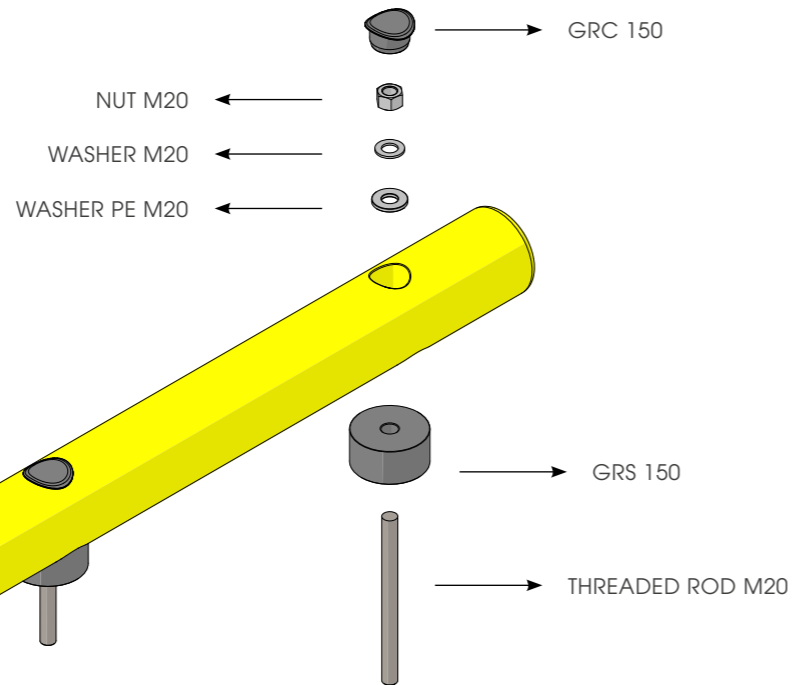
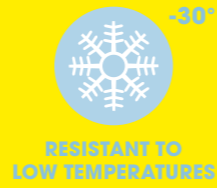
9



10

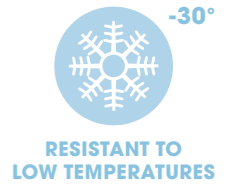
ROD FLOOR 120

BARRIERA SINGOLA
SINGLE-RAIL BARRIER

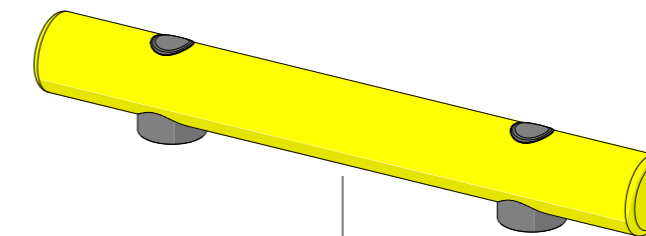


ROD FLOOR 120

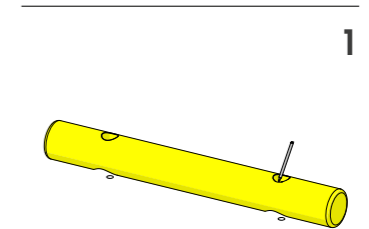
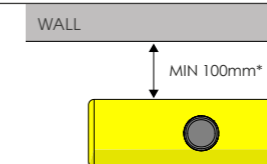
ISTRUZIONI DI INSTALLAZIONE
ASSEMBLY INSTRUCTIONS



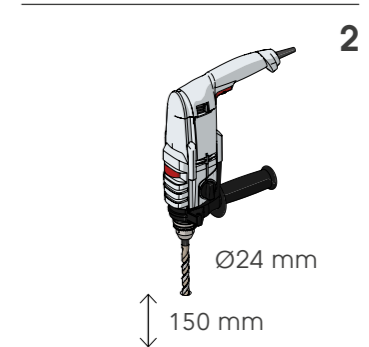
ONLY WITH RESIN



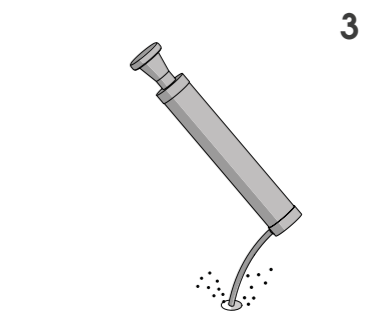
WARNING
The distance of installation depends on speed and weight of vehicle



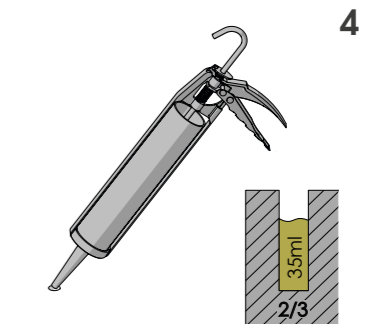
1



2



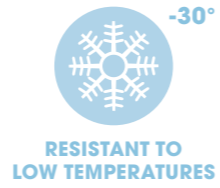
3



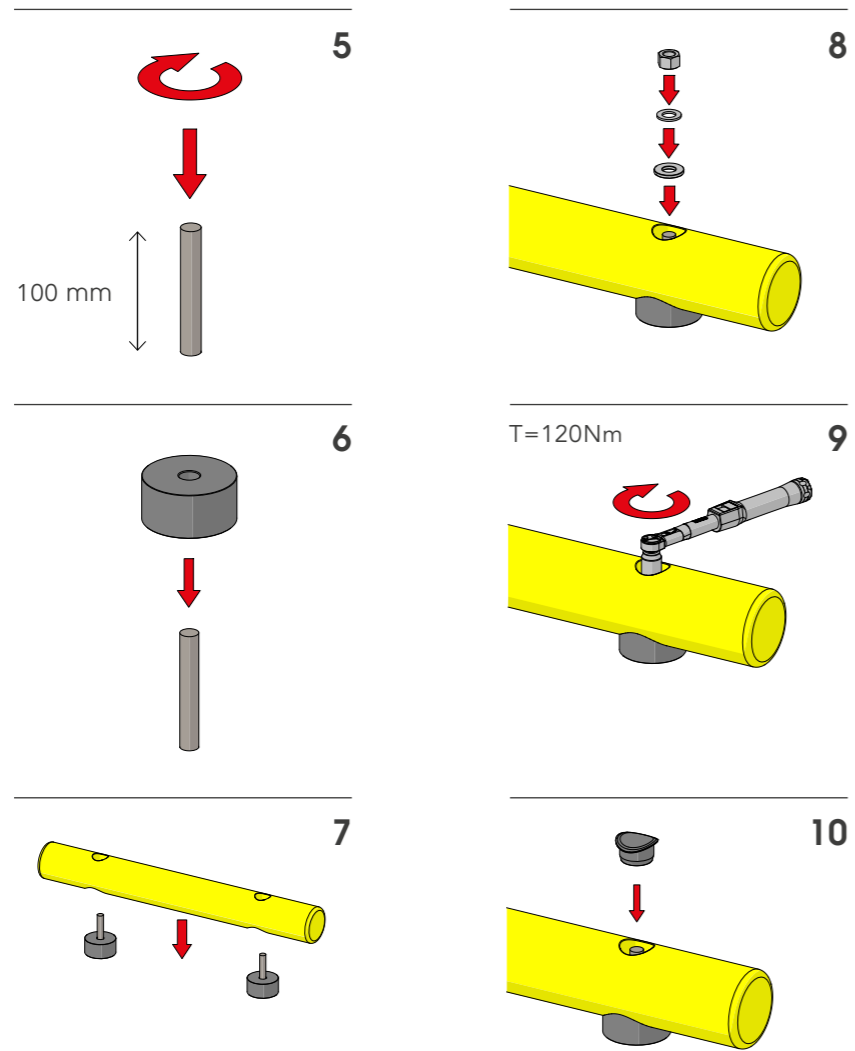
4

ROD FLOOR 120

ISTRUZIONI DI INSTALLAZIONE
ASSEMBLY INSTRUCTIONS

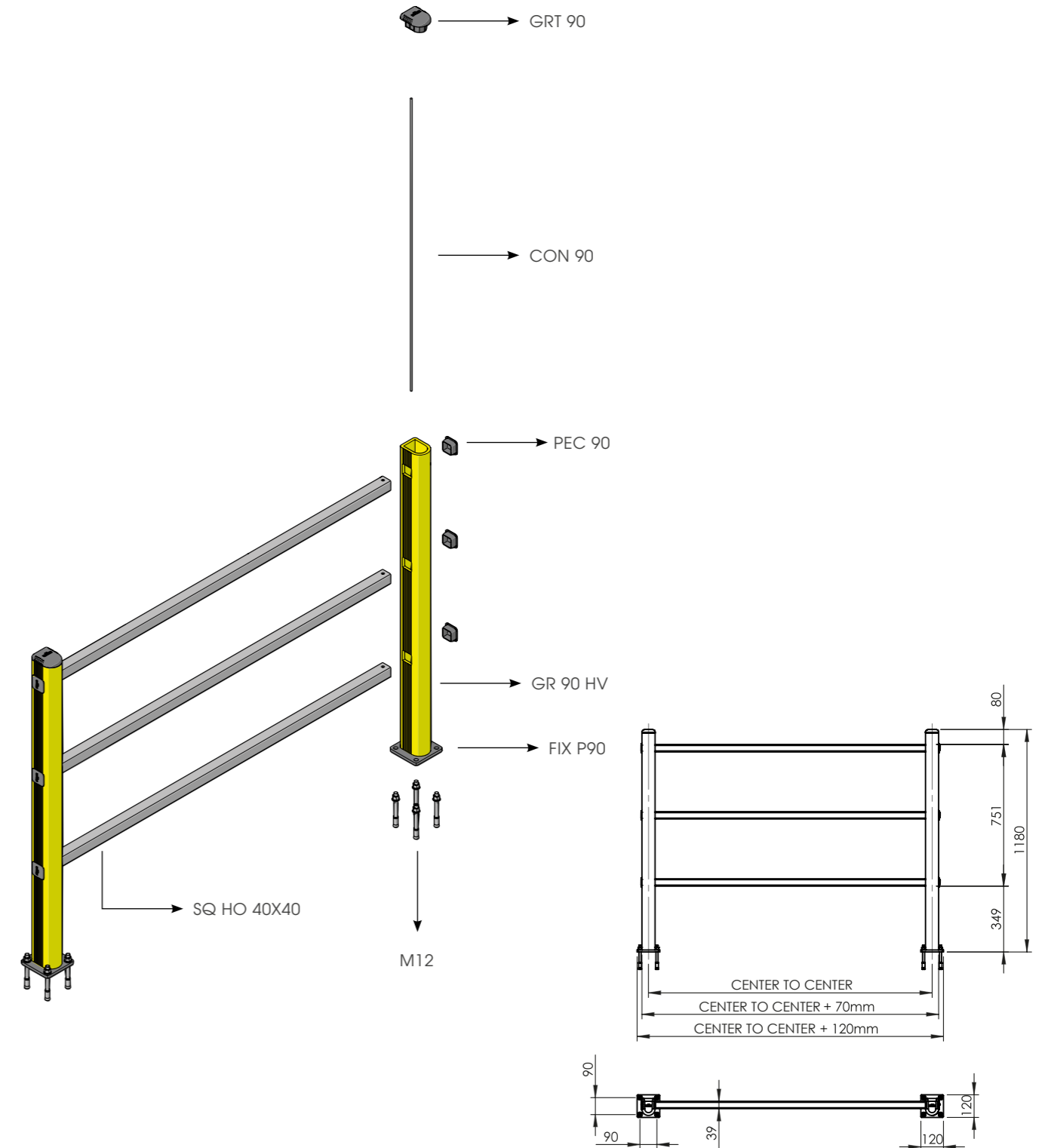


ONLY WITH RESIN



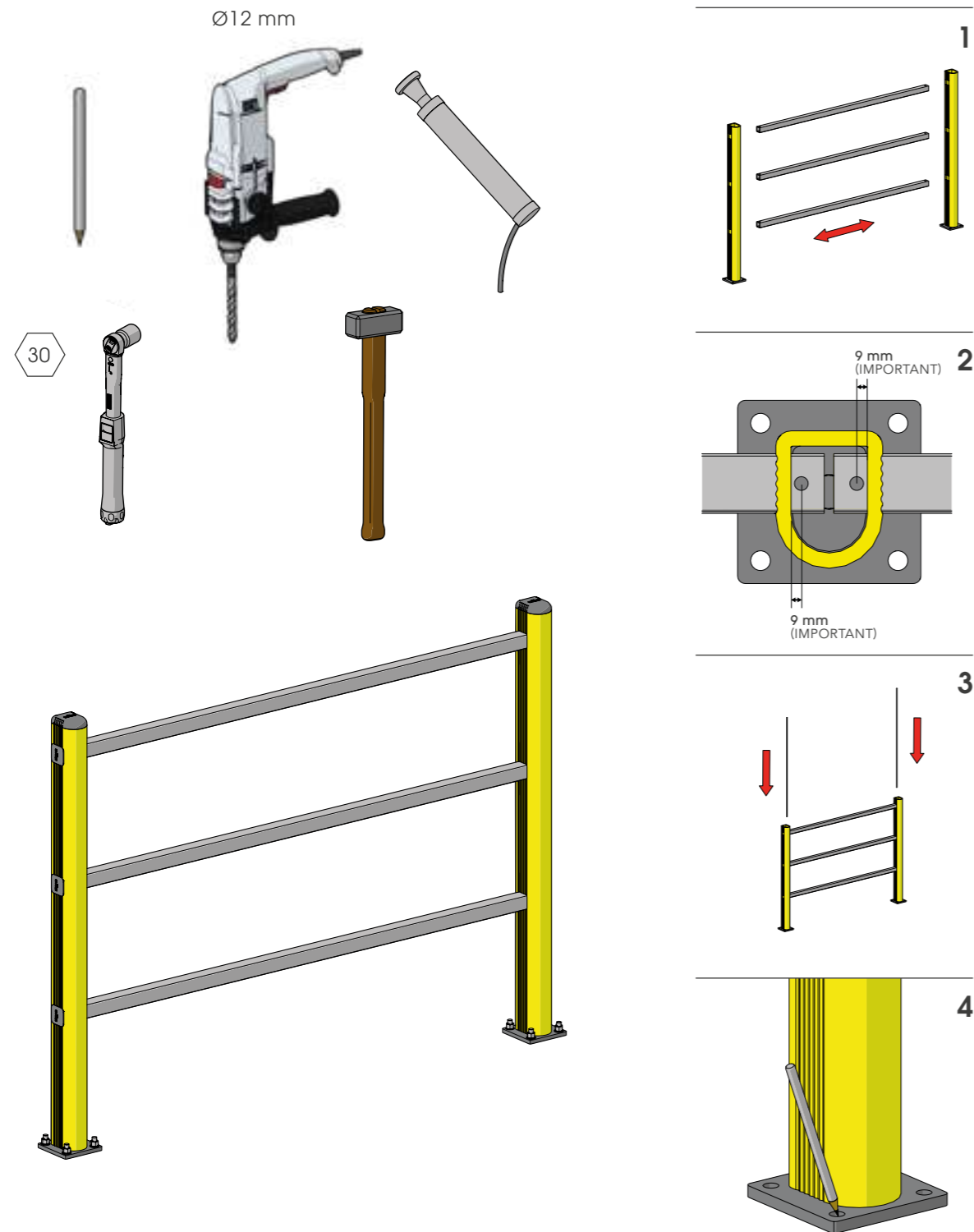
HR 90

BARRIERA PEDONALE
HAND RAIL BARRIER



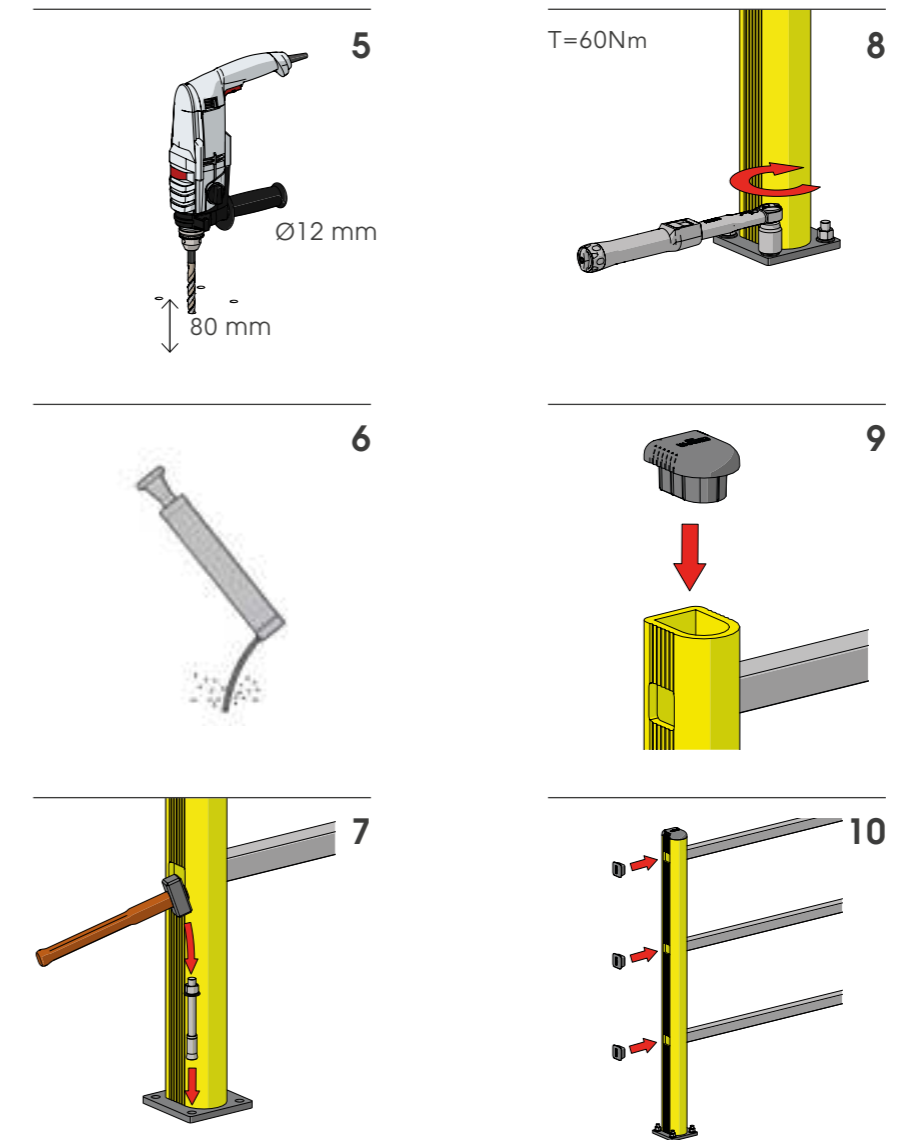
HR 90

ISTRUZIONI DI INSTALLAZIONE
ASSEMBLY INSTRUCTIONS



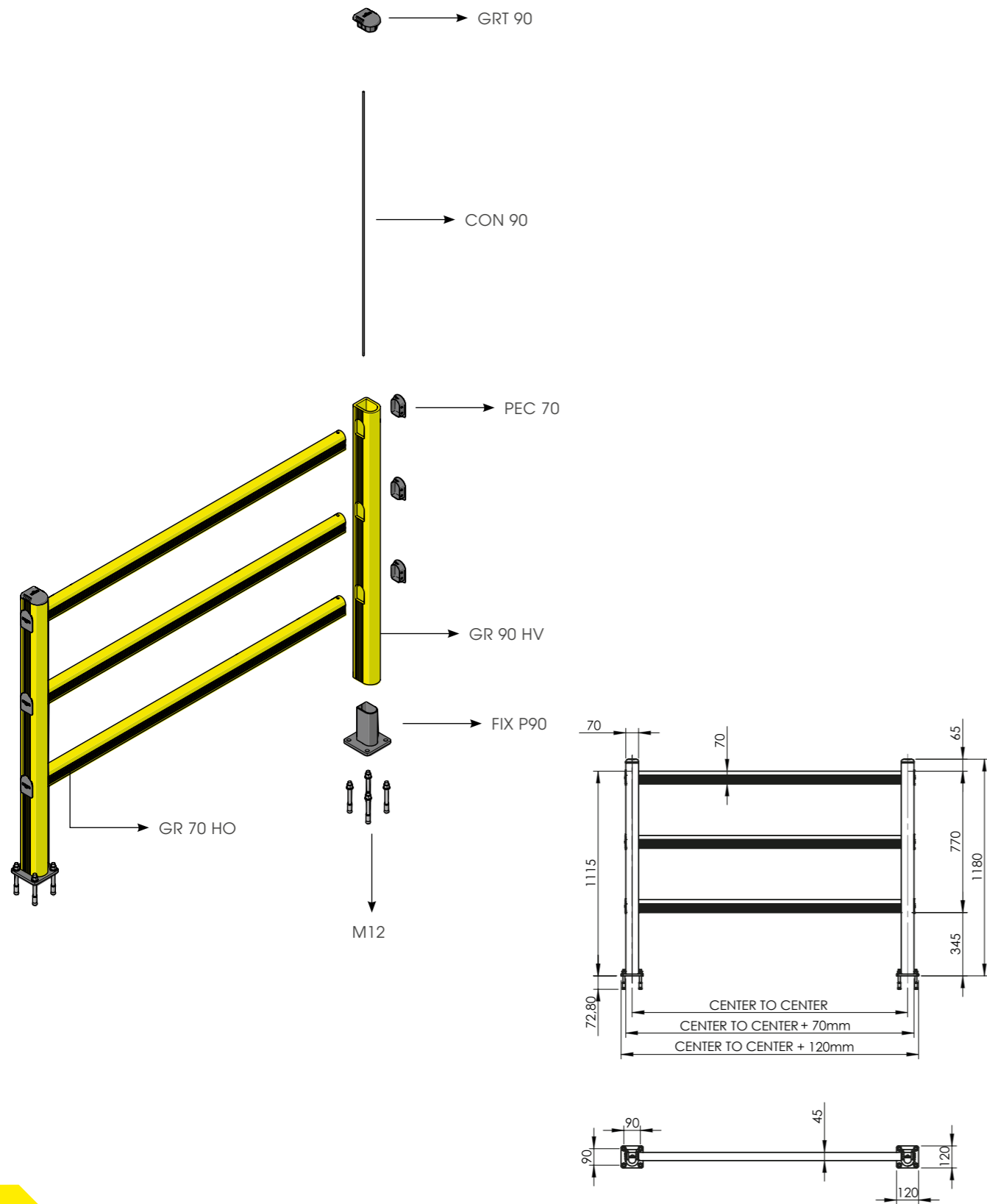
HR 90

ISTRUZIONI DI INSTALLAZIONE
ASSEMBLY INSTRUCTIONS



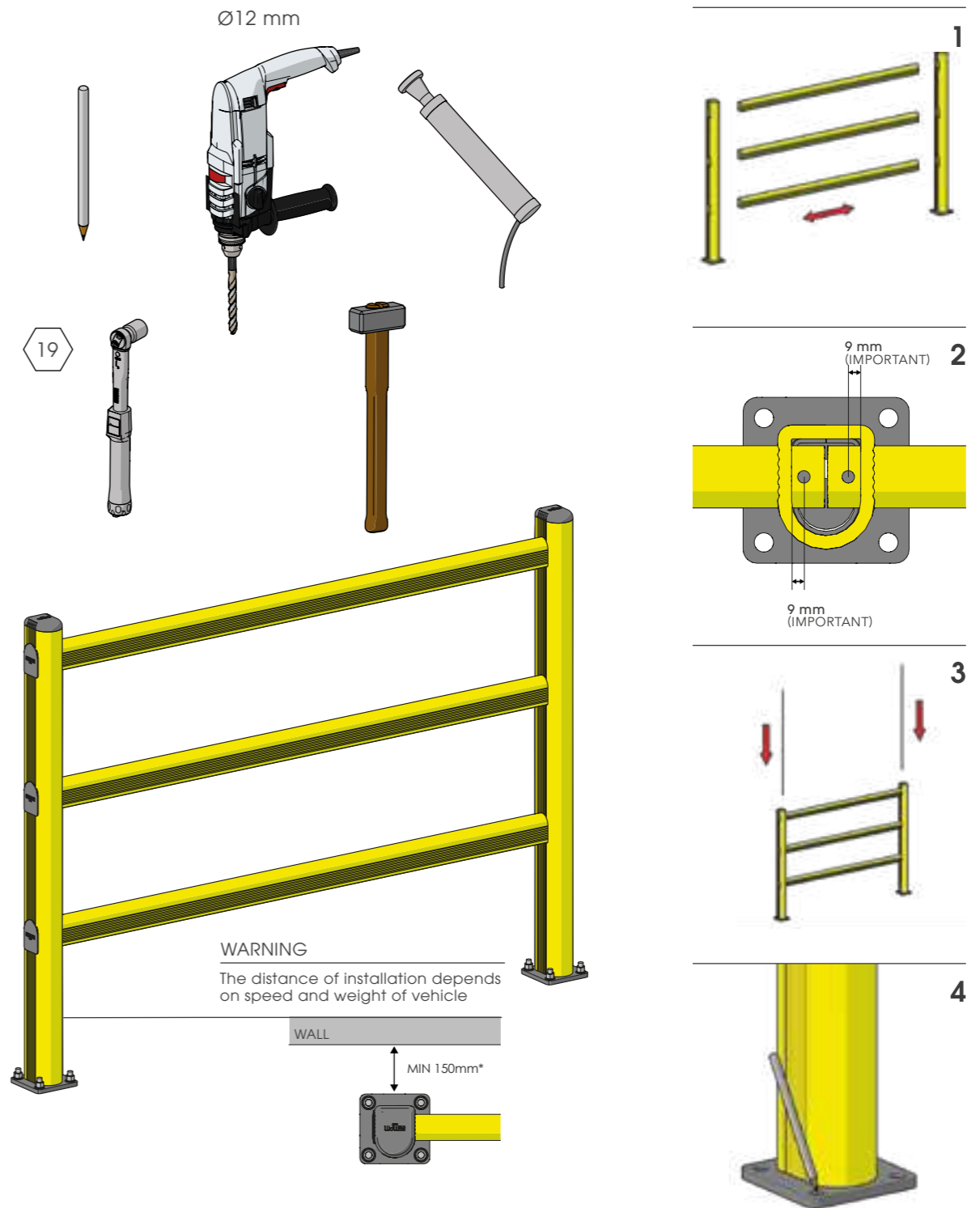
PED 90

BARRIERA DI SICUREZZA
SAFETY BARRIER



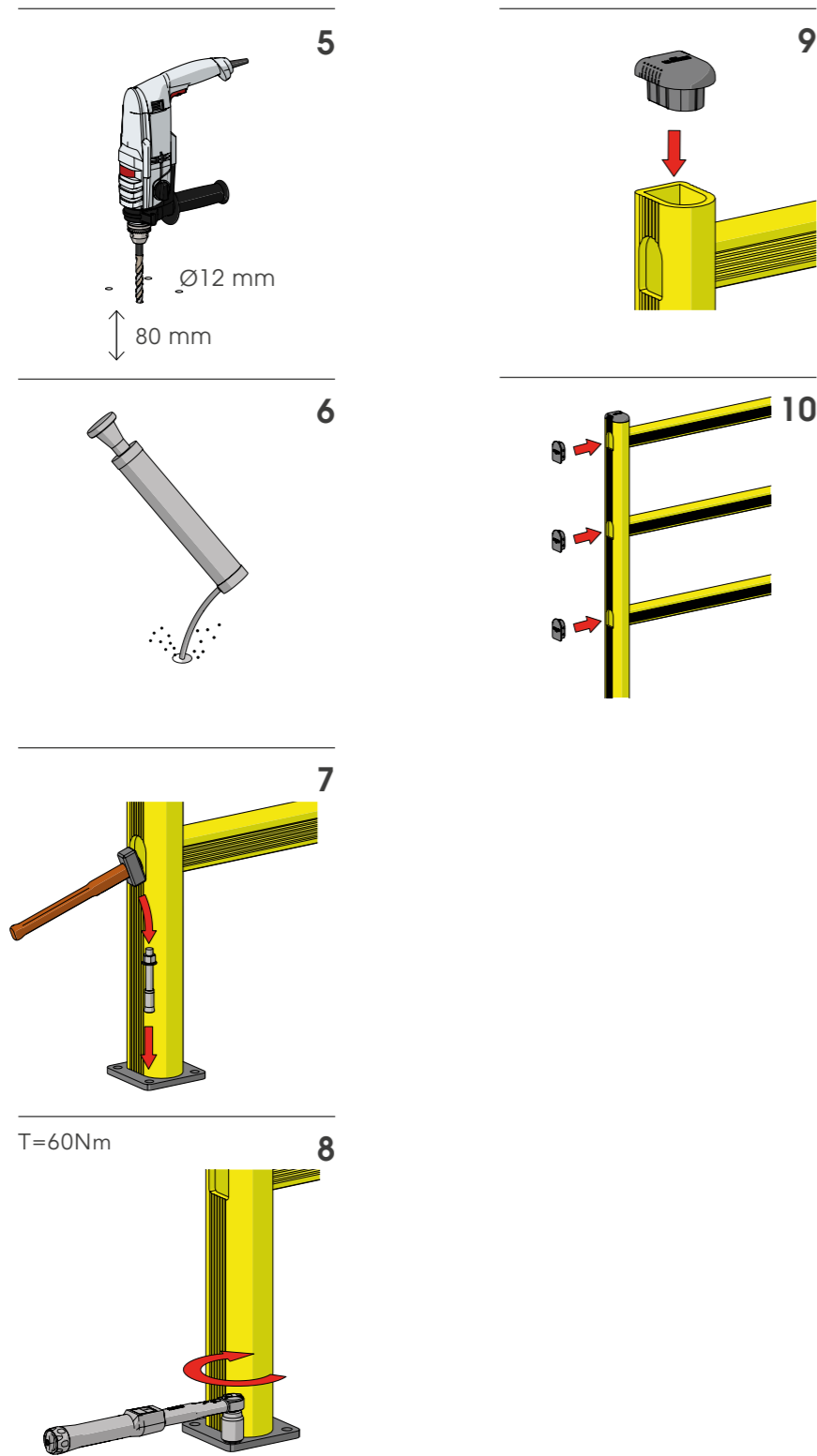
PED 90

ISTRUZIONI DI INSTALLAZIONE
ASSEMBLY INSTRUCTIONS



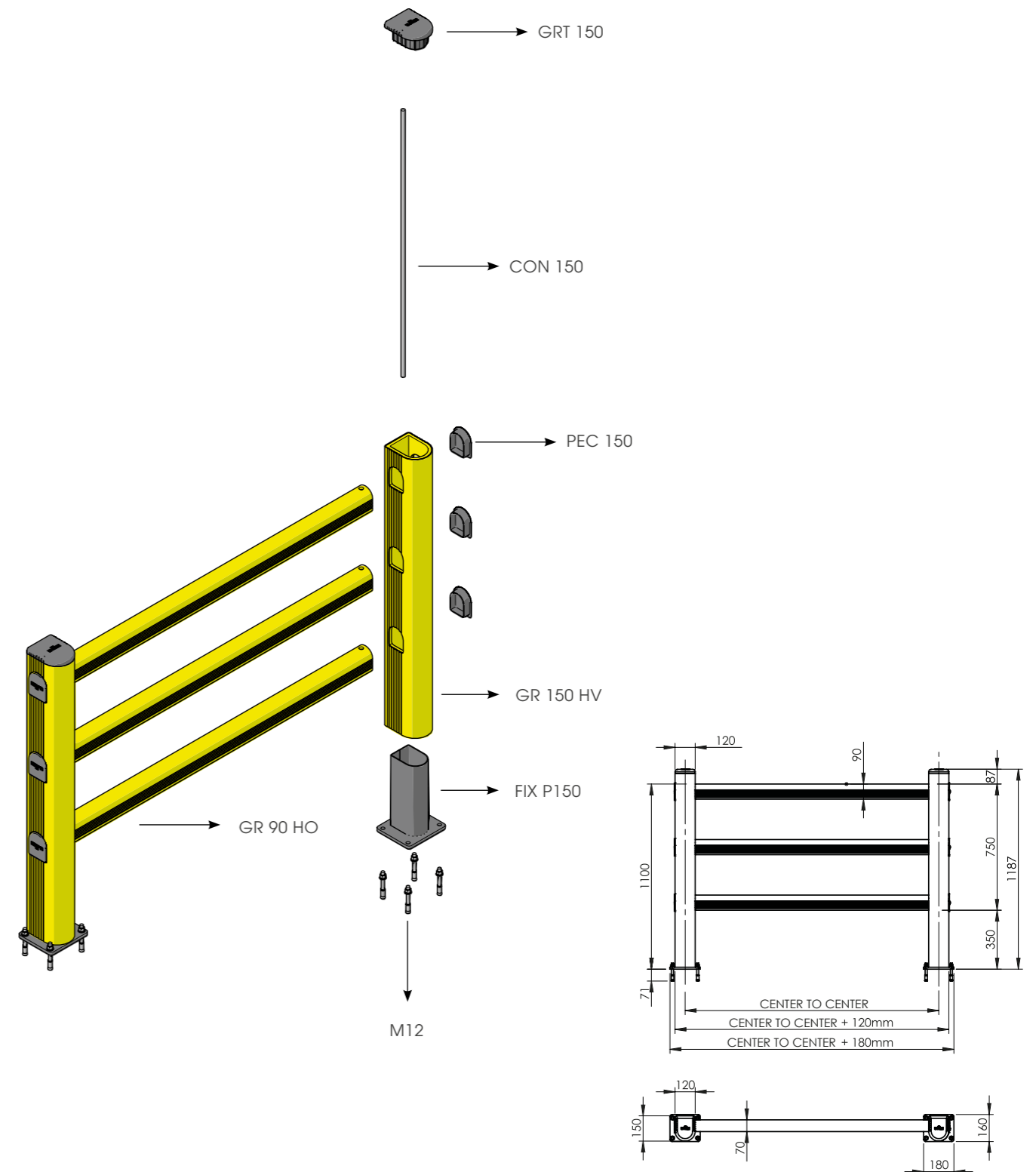
PED 90

ISTRUZIONI DI INSTALLAZIONE
ASSEMBLY INSTRUCTIONS



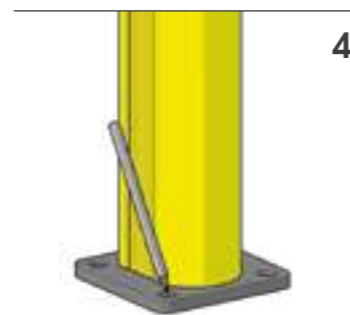
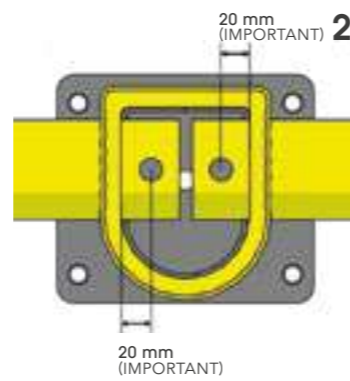
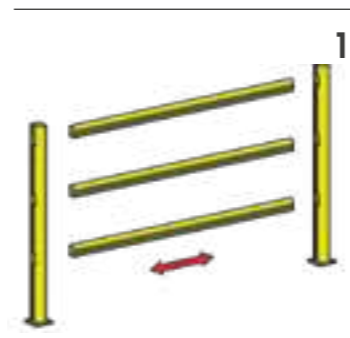
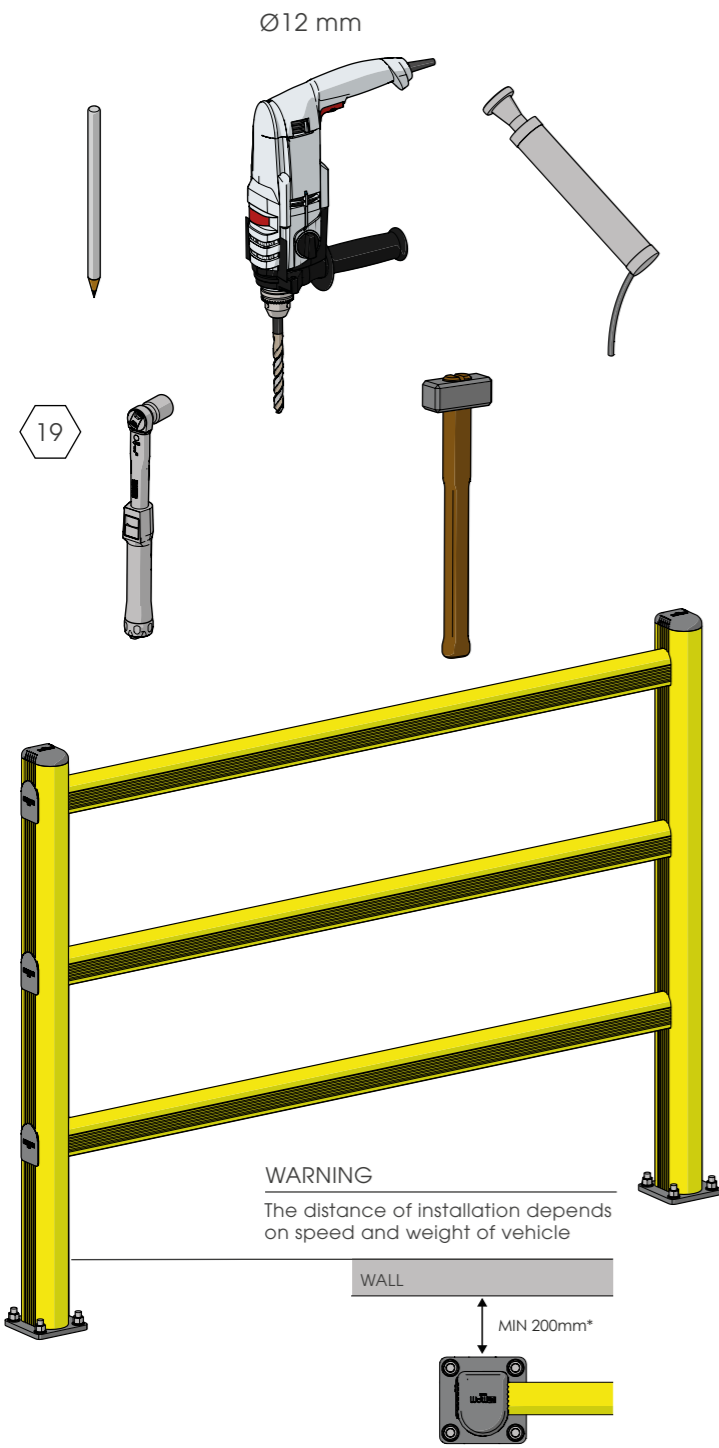
PED 150

BARRIERA DI SICUREZZA
SAFETY BARRIER



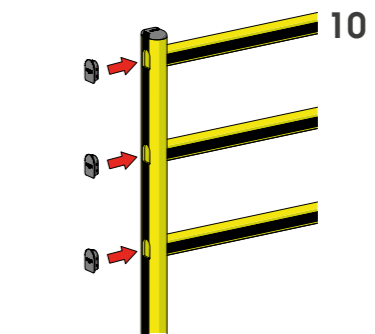
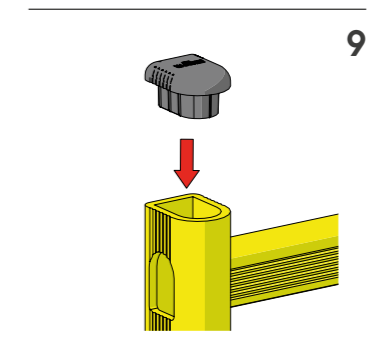
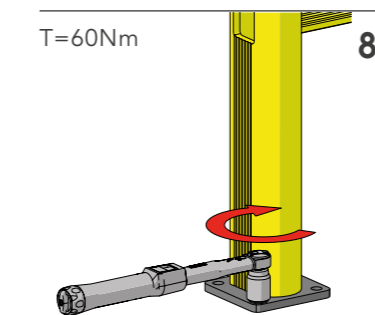
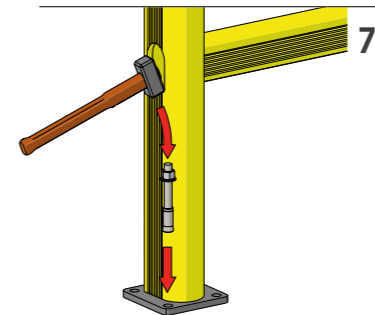
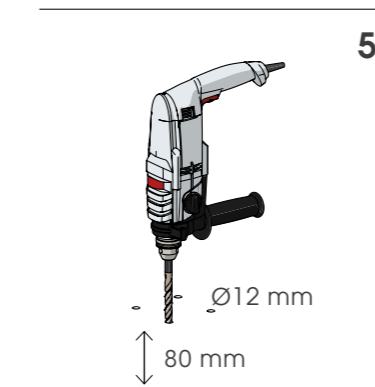
PED 150

ISTRUZIONI DI INSTALLAZIONE
ASSEMBLY INSTRUCTIONS



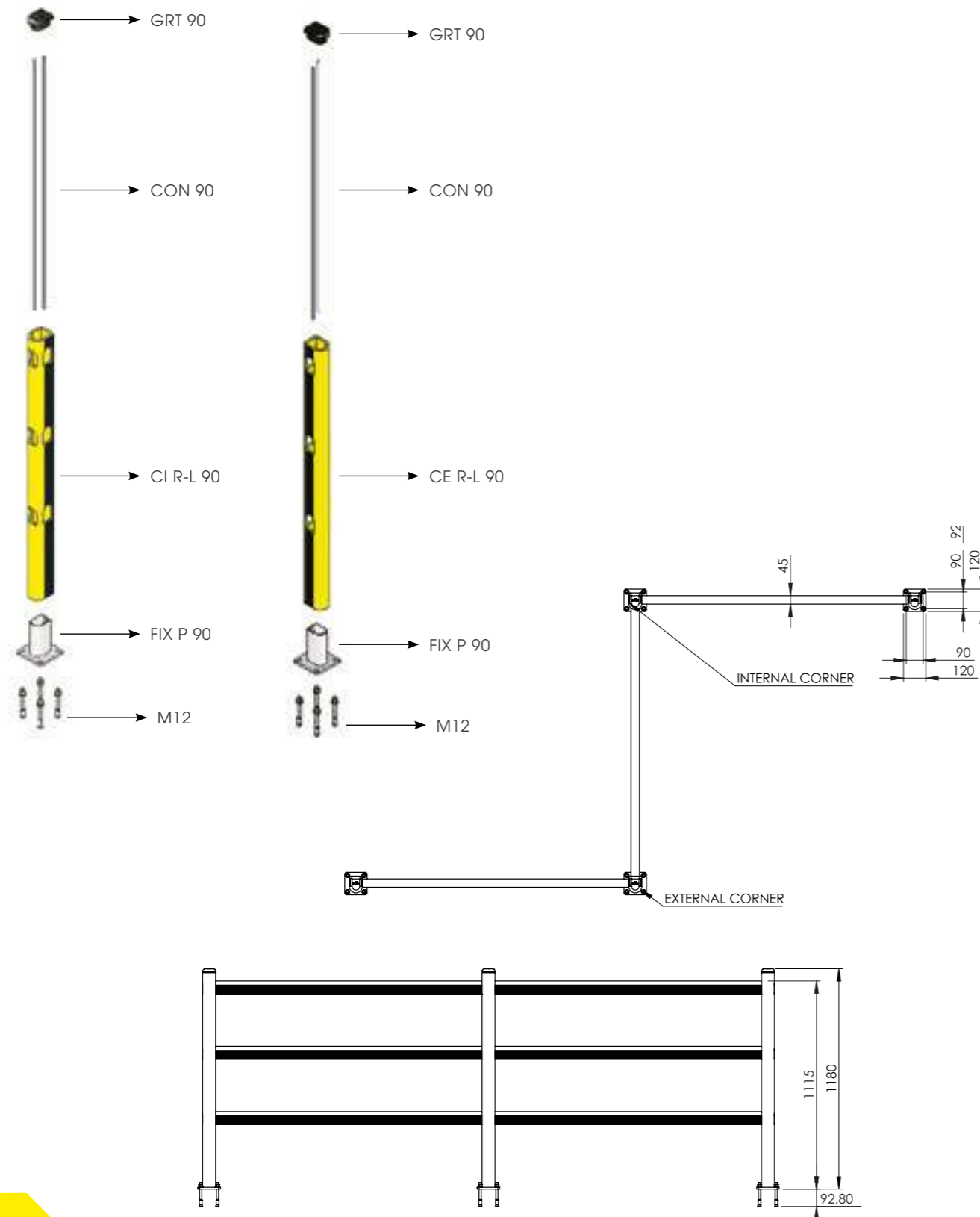
PED 150

ISTRUZIONI DI INSTALLAZIONE
ASSEMBLY INSTRUCTIONS



CORNER PED 90

BARRIERA DI SICUREZZA
SAFETY BARRIER

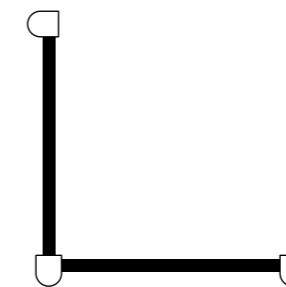


CORNER PED 90

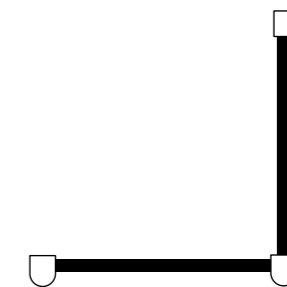
BARRIERA DI SICUREZZA
SAFETY BARRIER

PLEASE CHECK HERE BELOW
WHICH POSITION OF THE CORNER YOU NEED

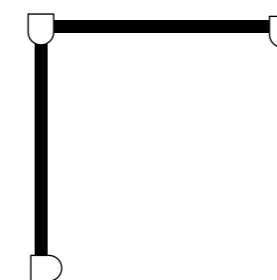
EXTERNAL L



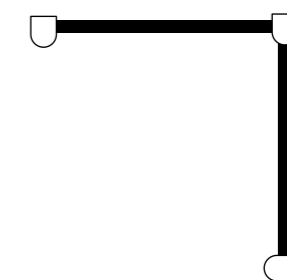
EXTERNAL R



INTERNAL L

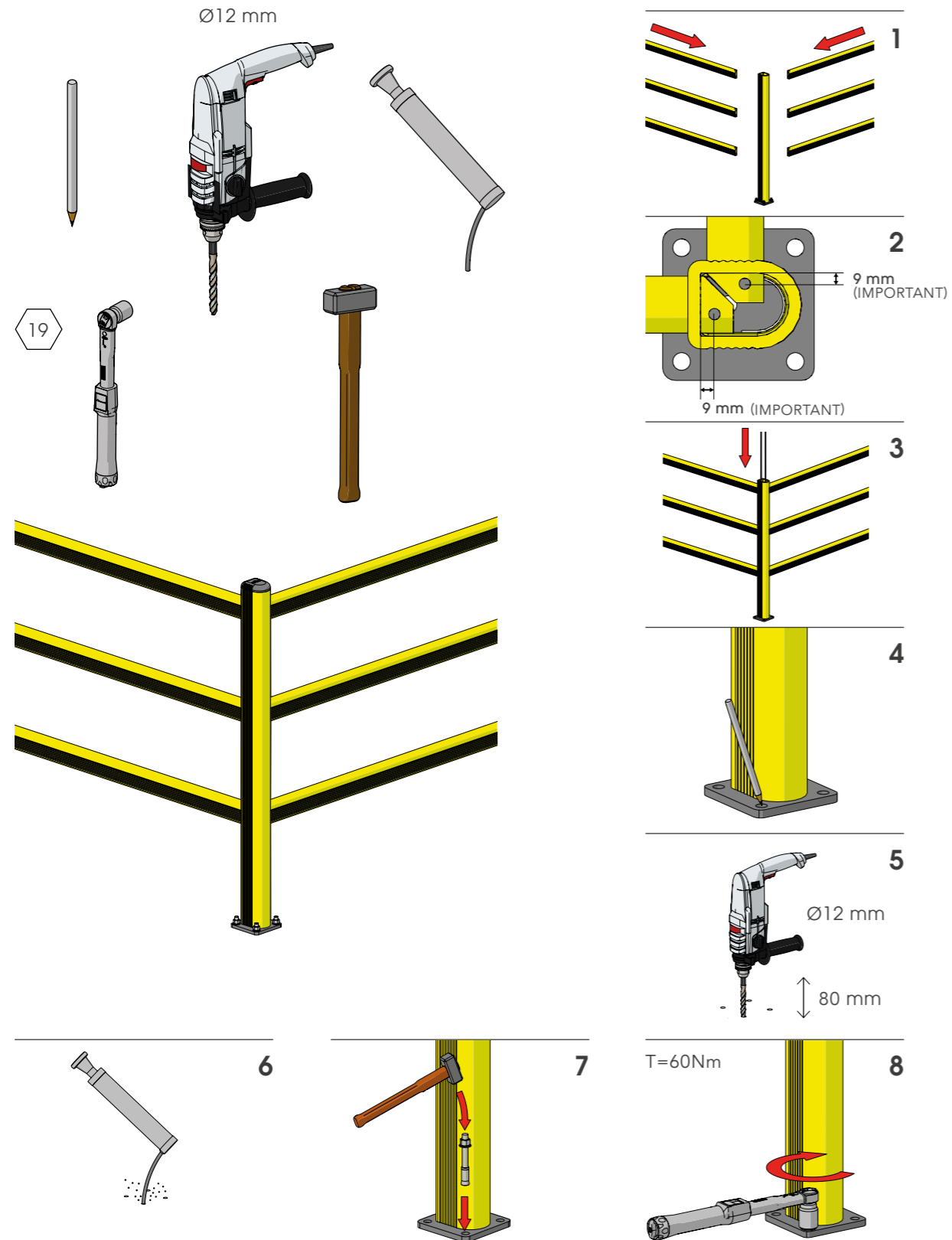


INTERNAL R



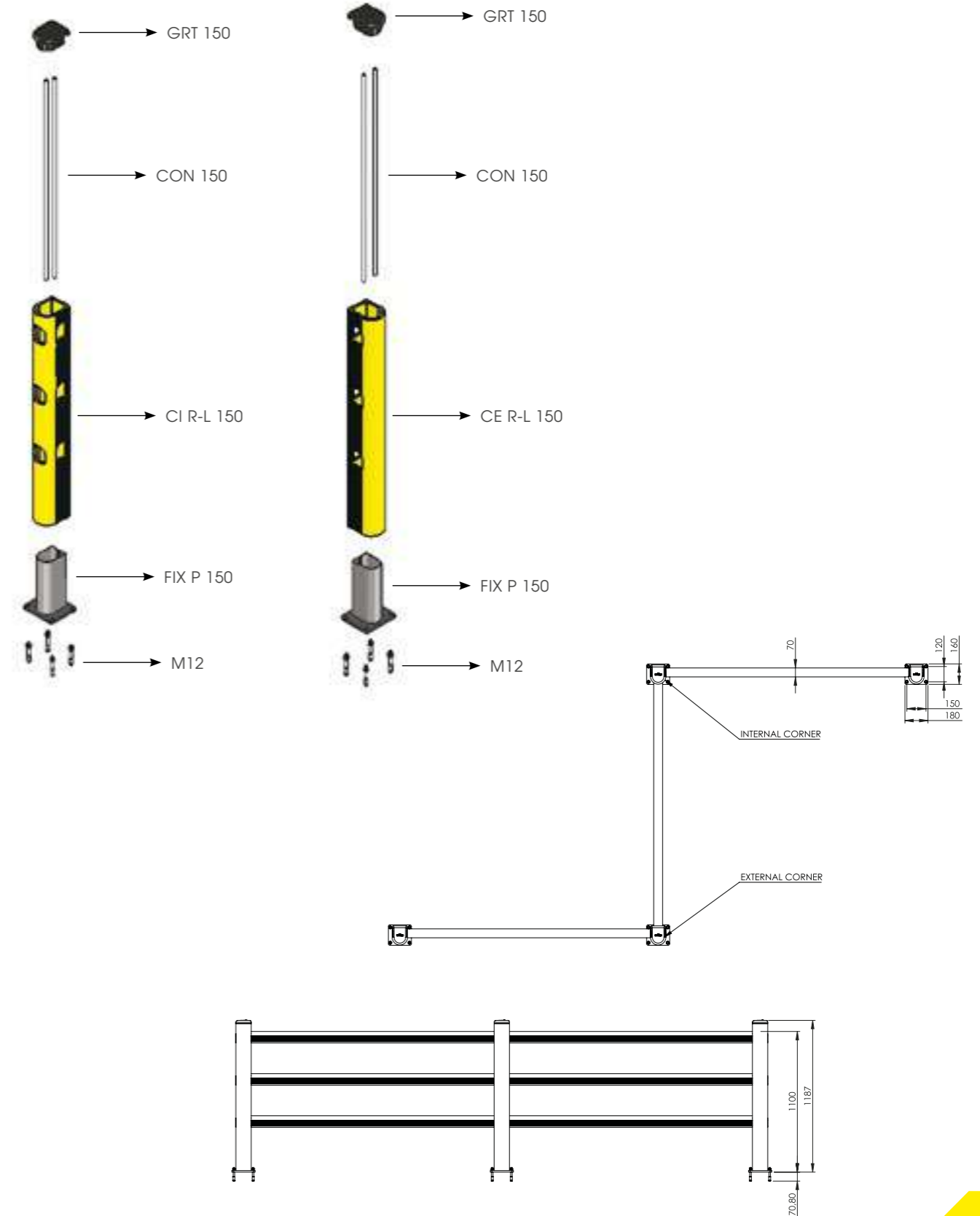
CORNER PED 90

ISTRUZIONI DI INSTALLAZIONE
ASSEMBLY INSTRUCTIONS



CORNER PED 150

BARRIERA DI SICUREZZA
SAFETY BARRIER

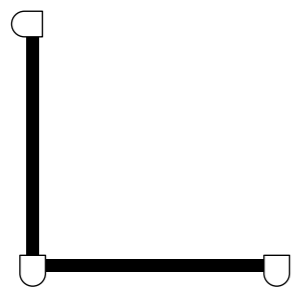


CORNER PED 150

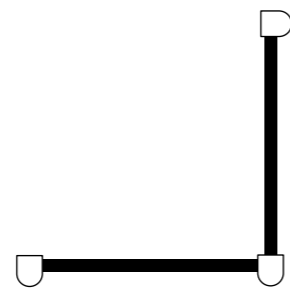
BARRIERA DI SICUREZZA
SAFETY BARRIER

PLEASE CHECK HERE BELOW
WHICH POSITION OF THE CORNER YOU NEED

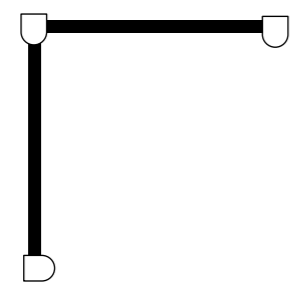
EXTERNAL L



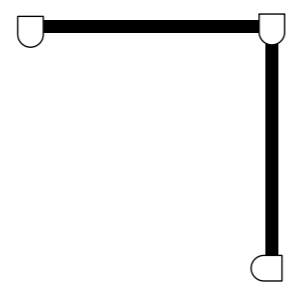
EXTERNAL R



INTERNAL L

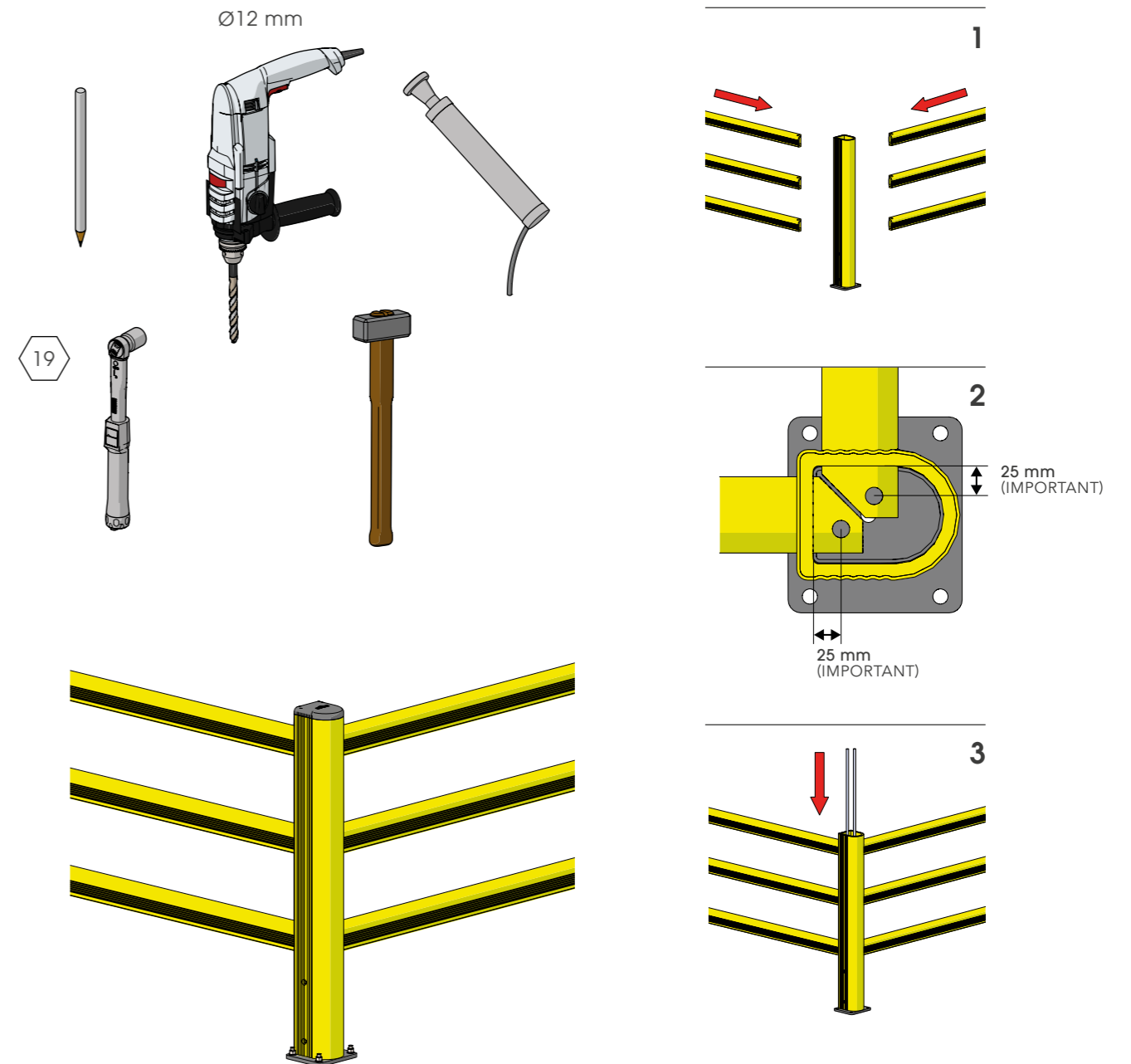


INTERNAL R



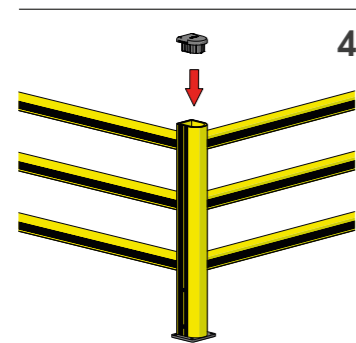
CORNER PED 150

ISTRUZIONI DI INSTALLAZIONE
ASSEMBLY INSTRUCTIONS

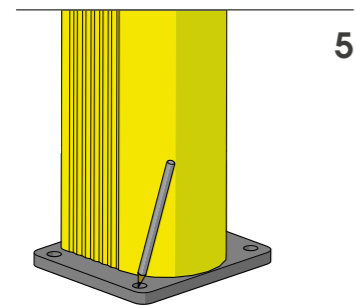


CORNER PED 150

ISTRUZIONI DI INSTALLAZIONE
ASSEMBLY INSTRUCTIONS



4



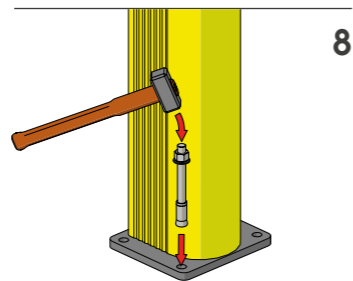
5



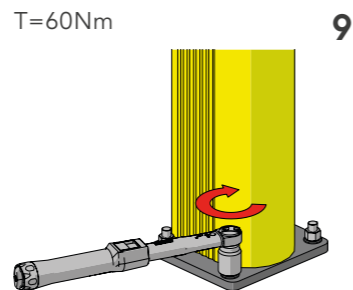
6



7



8



T=60Nm

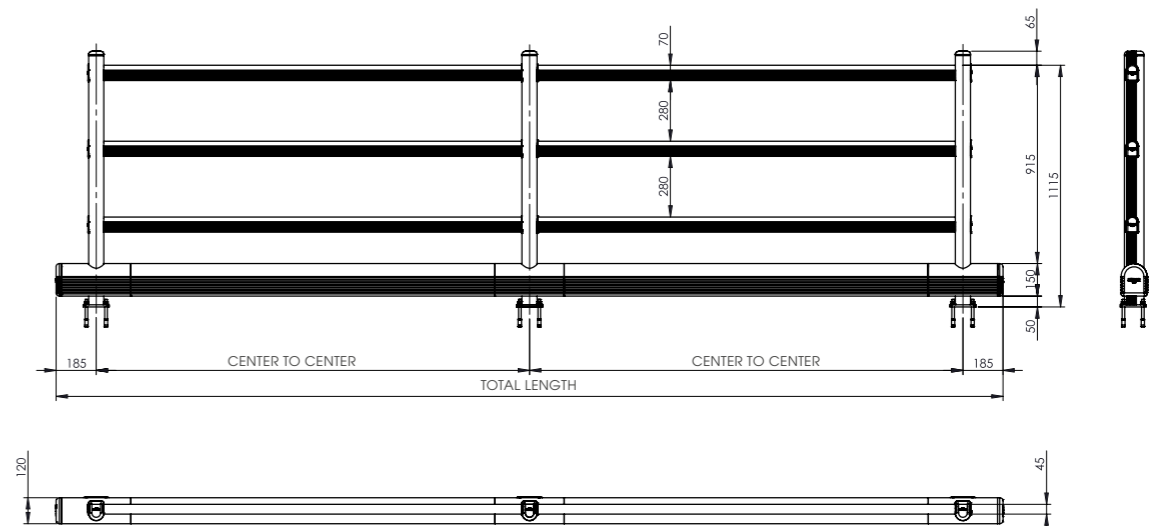
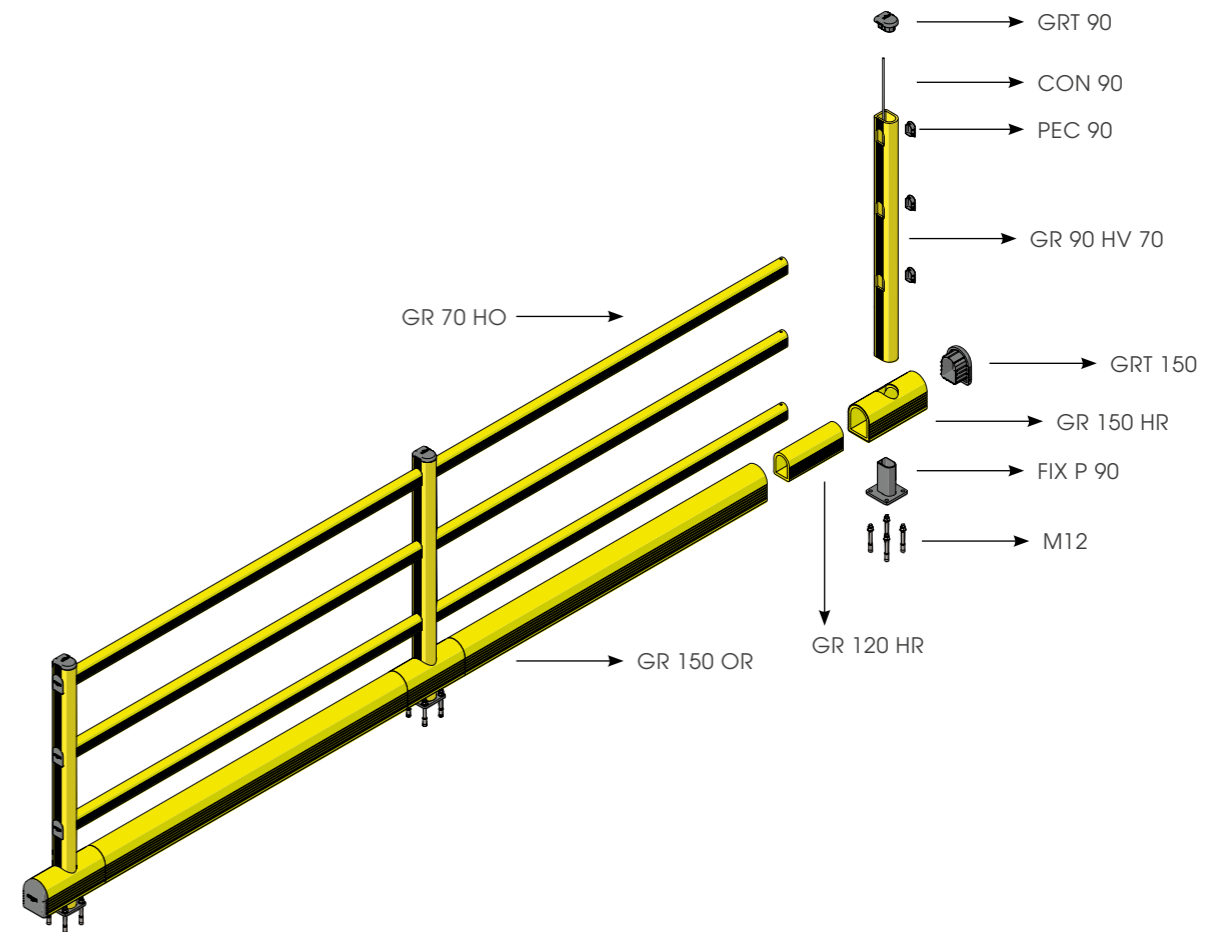
9

PED 90 REINFORCED

BARRIERA DI SICUREZZA
SAFETY BARRIER

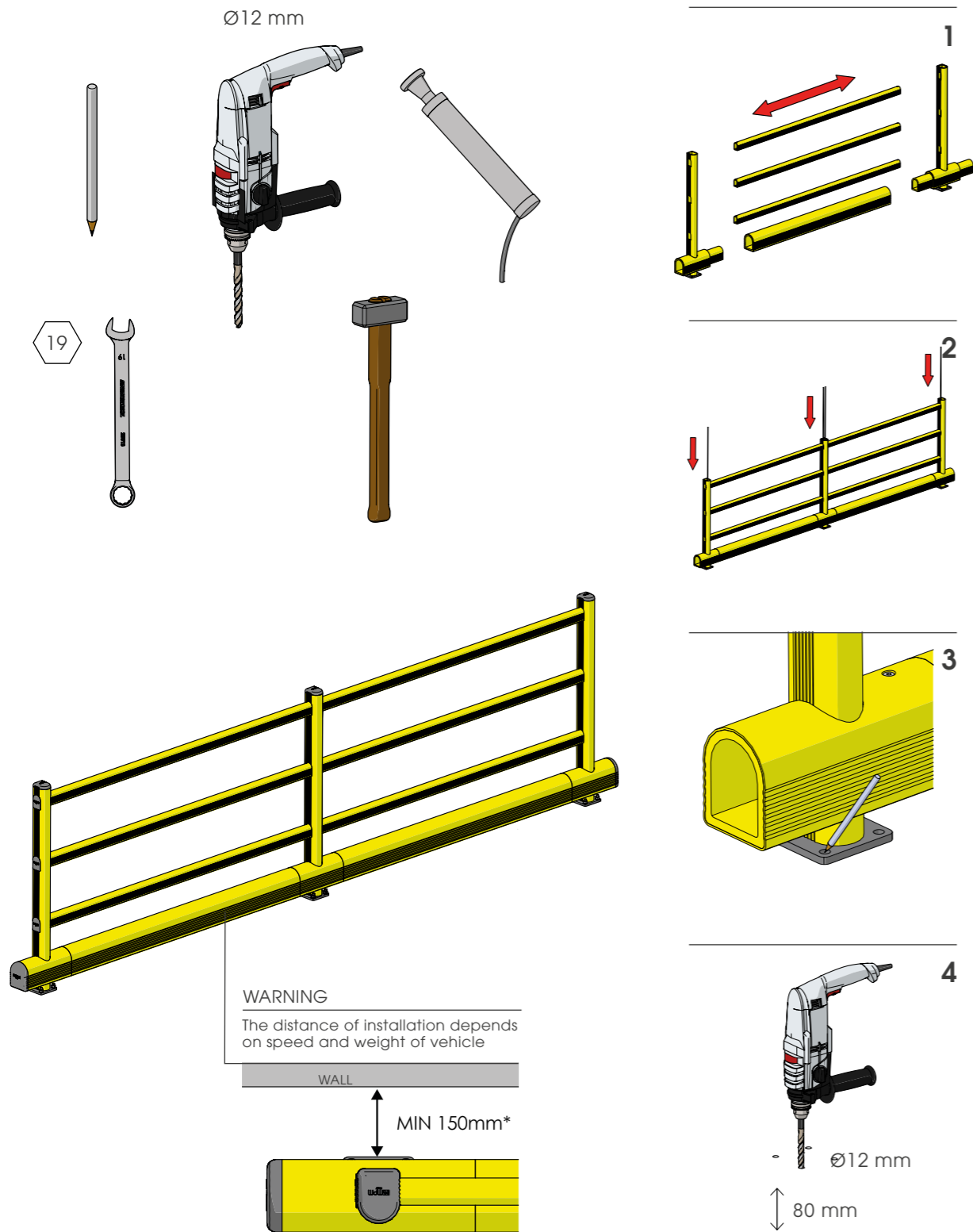


IMPACT TEST PASSED
according to
AFNORNP P98-310



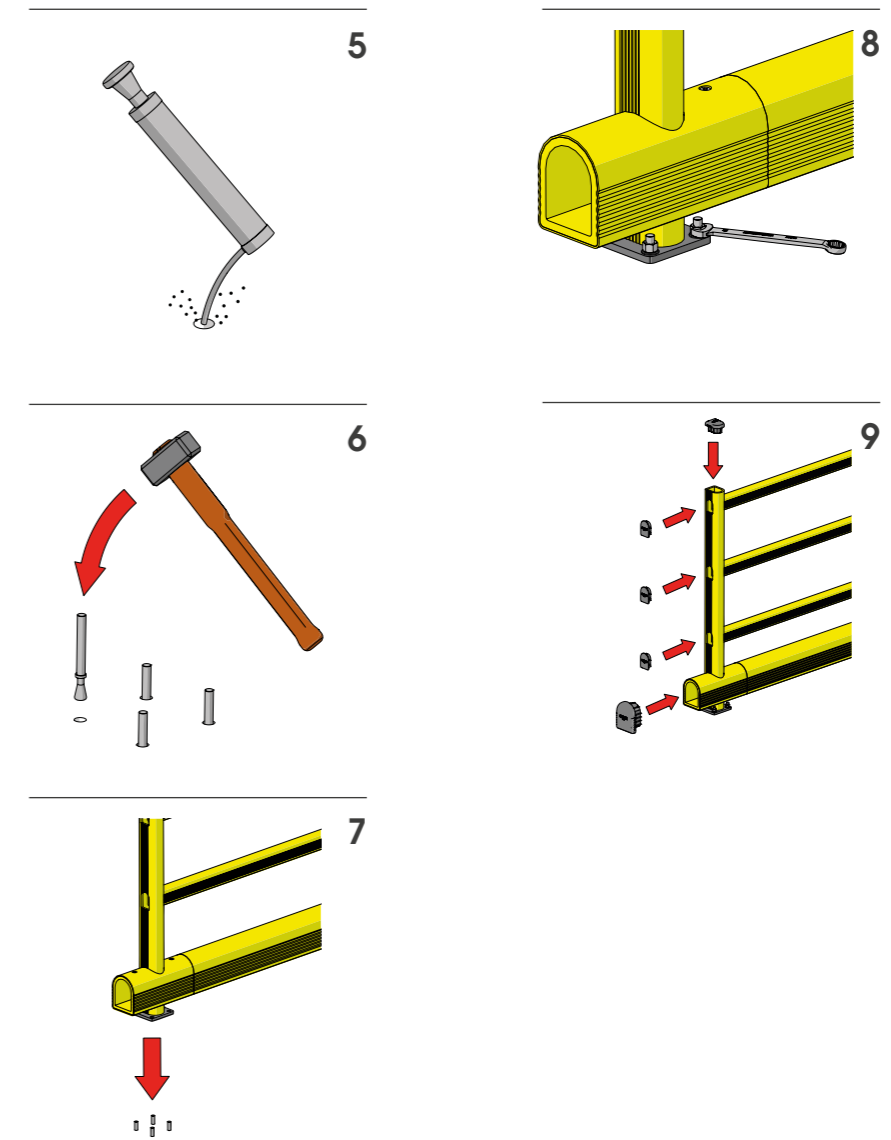
PED 90 REINFORCED

ISTRUZIONI DI INSTALLAZIONE
ASSEMBLY INSTRUCTIONS



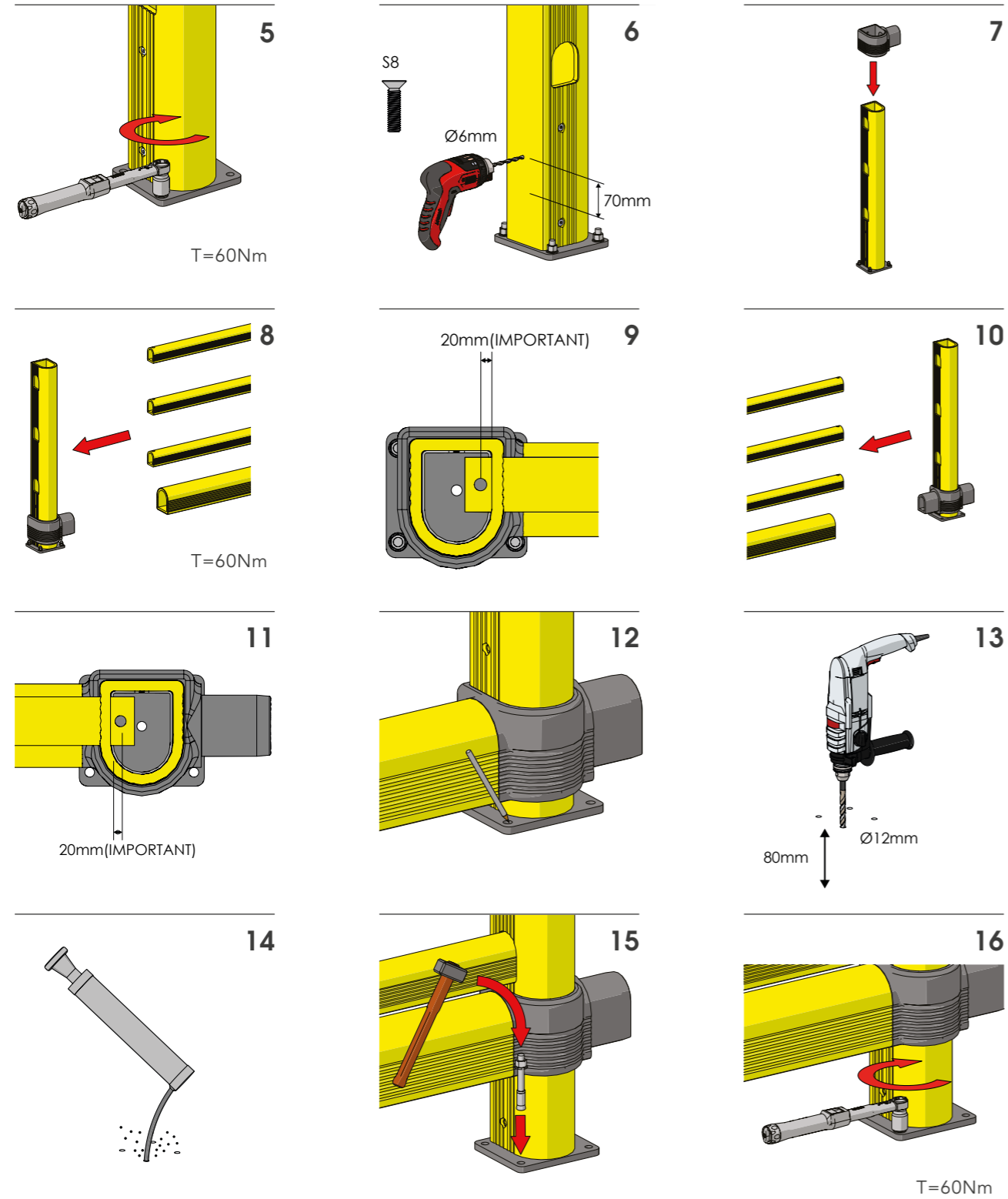
PED 90 REINFORCED

ISTRUZIONI DI INSTALLAZIONE
ASSEMBLY INSTRUCTIONS



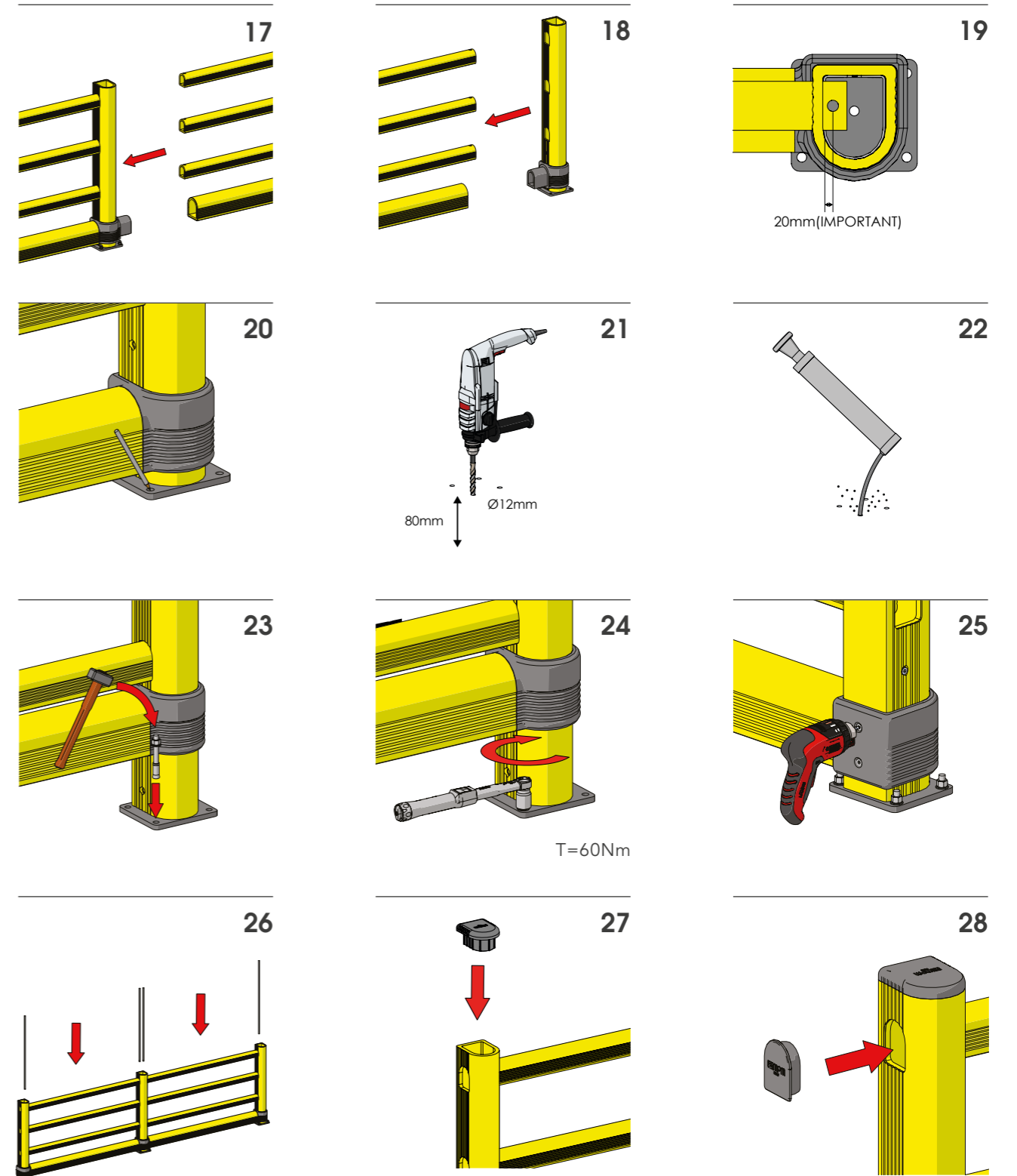
PED 150 REF LINK

ISTRUZIONI DI INSTALLAZIONE
ASSEMBLY INSTRUCTIONS



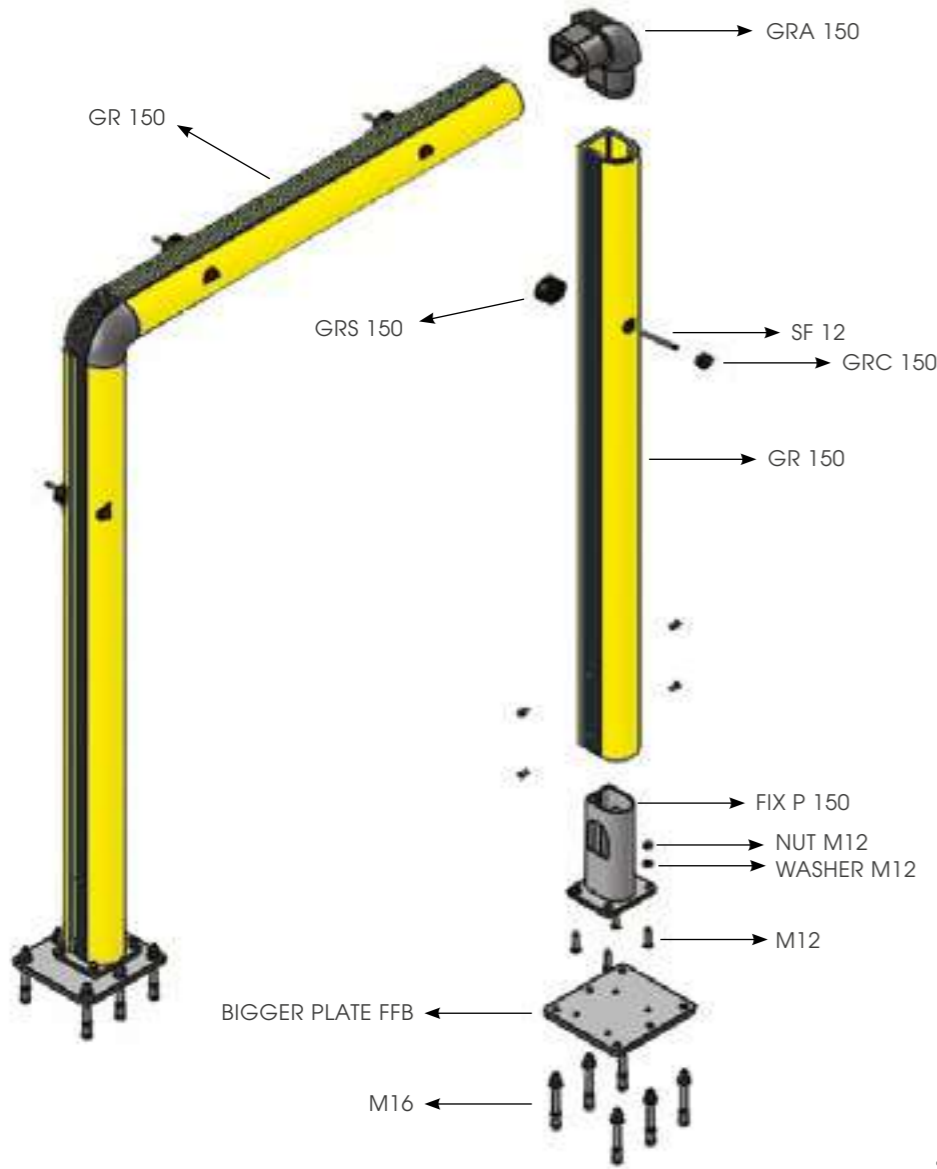
PED 150 REF LINK

ISTRUZIONI DI INSTALLAZIONE
ASSEMBLY INSTRUCTIONS

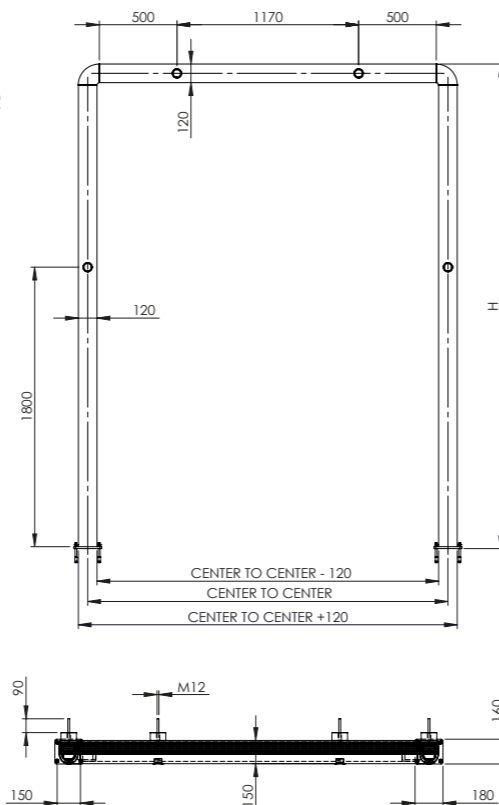


FULL FRAME

PROTEZIONE PORTA FULL FRAME
FULL FRAME DOOR PROTECTION



*STANDARD DIMENSIONS
UP TO 4500mm HIGH
AND 4000mm WIDE

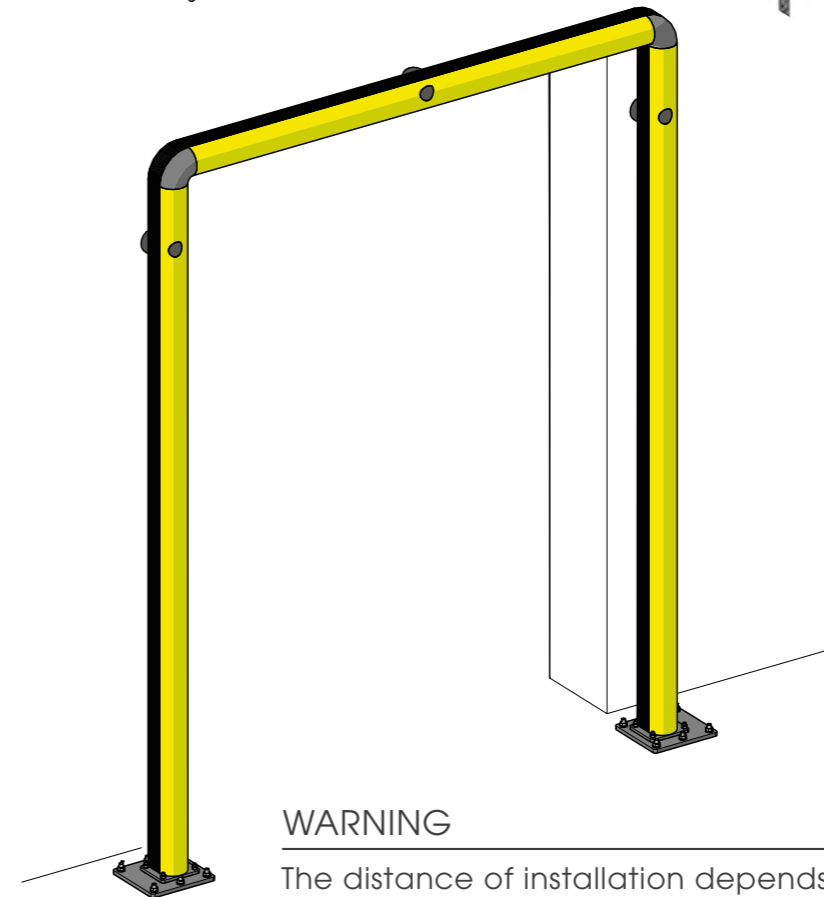


WARNING

Full frame up to 4000mm high and 4000mm wide can be used without being mounted to the wall

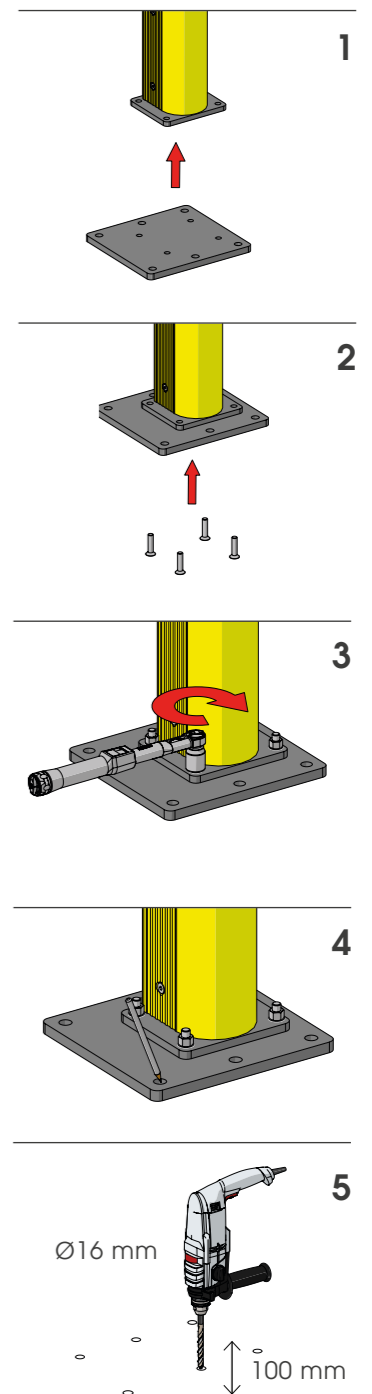
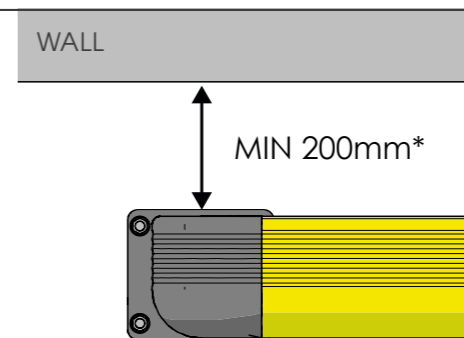
FULL FRAME

ISTRUZIONI DI INSTALLAZIONE
ASSEMBLY INSTRUCTIONS



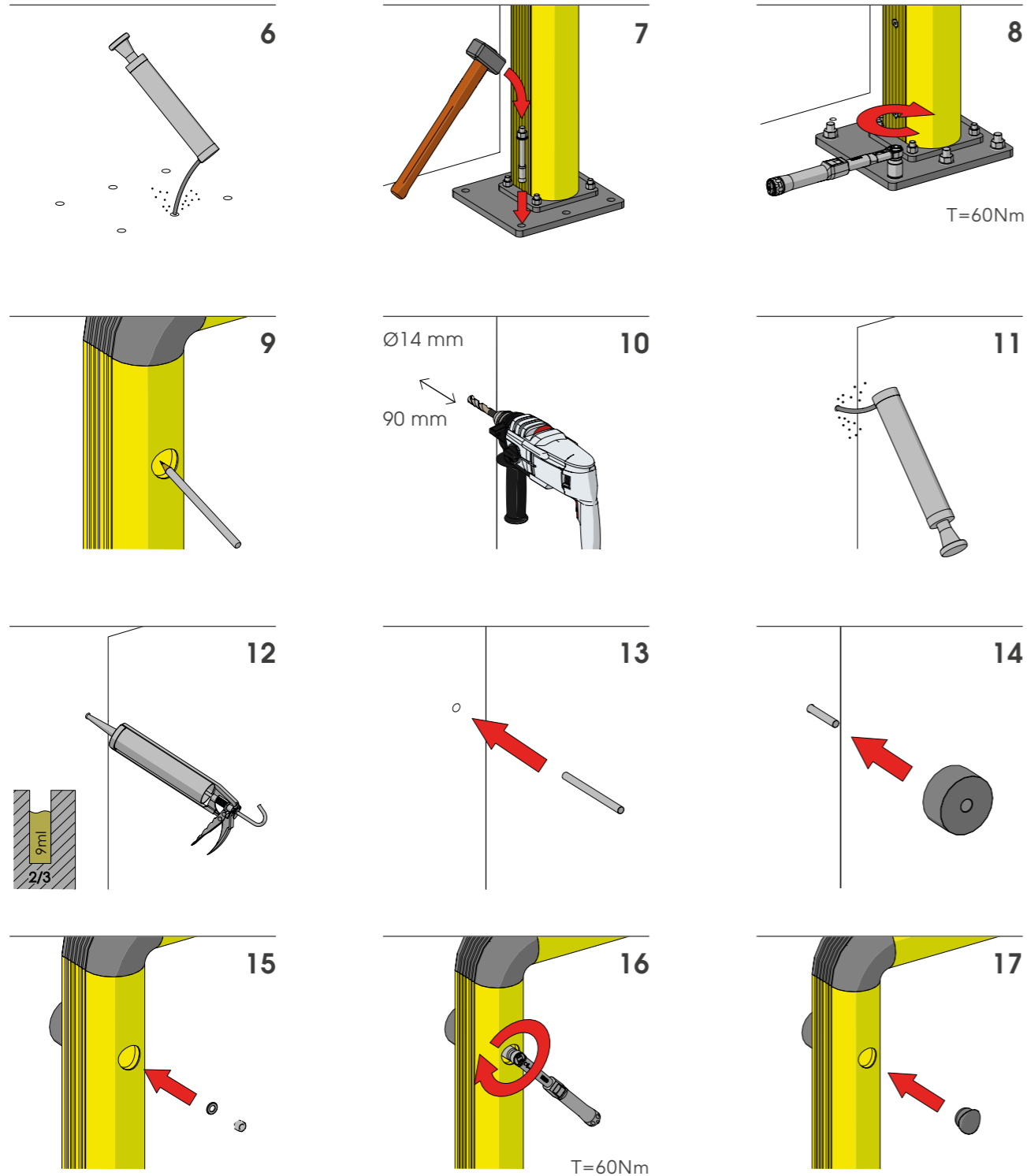
WARNING

The distance of installation depends on speed and weight of vehicle and also on the dimension of the full frame



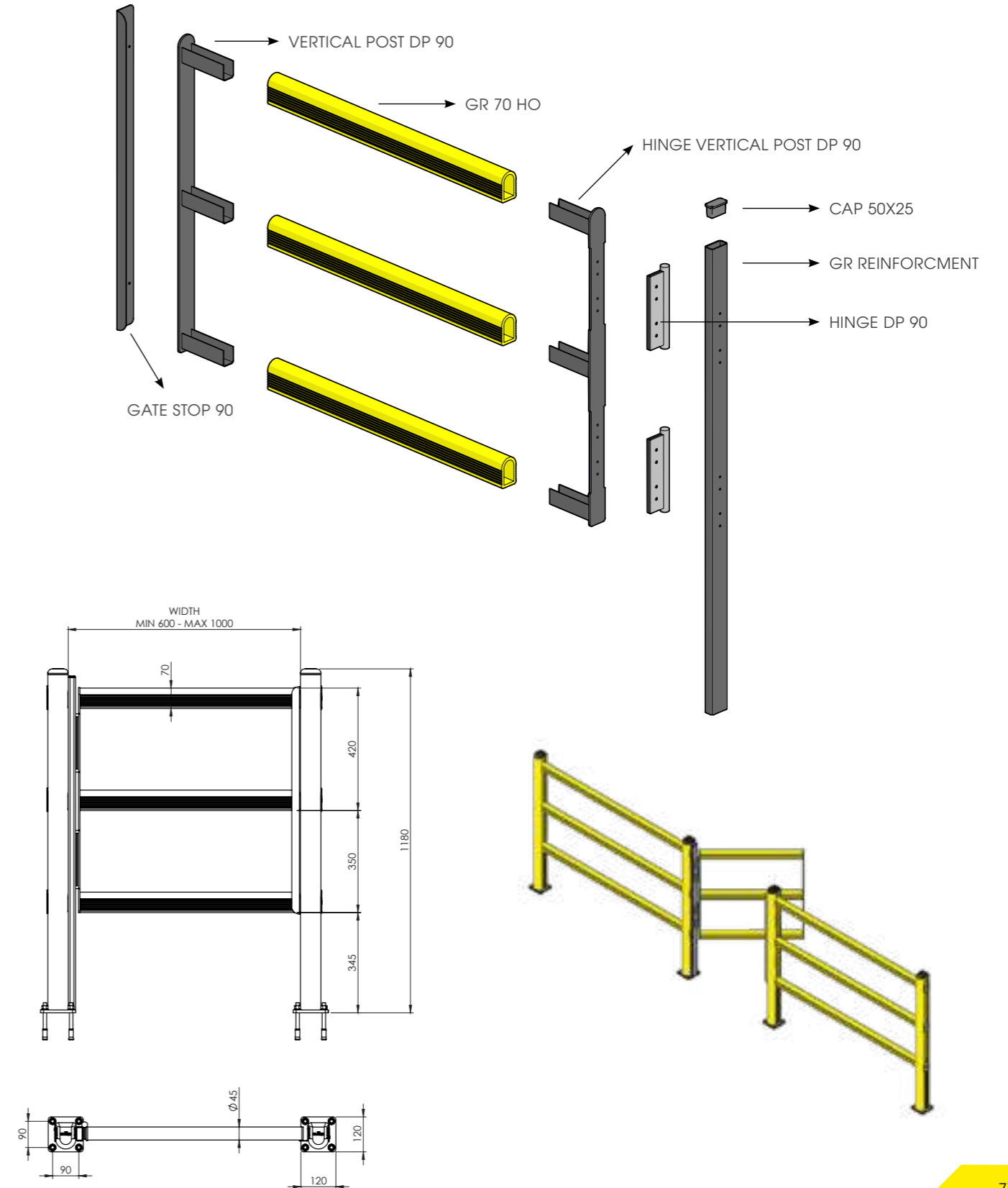
FULL FRAME

ISTRUZIONI DI INSTALLAZIONE
ASSEMBLY INSTRUCTIONS



DP 90 ONE WAY

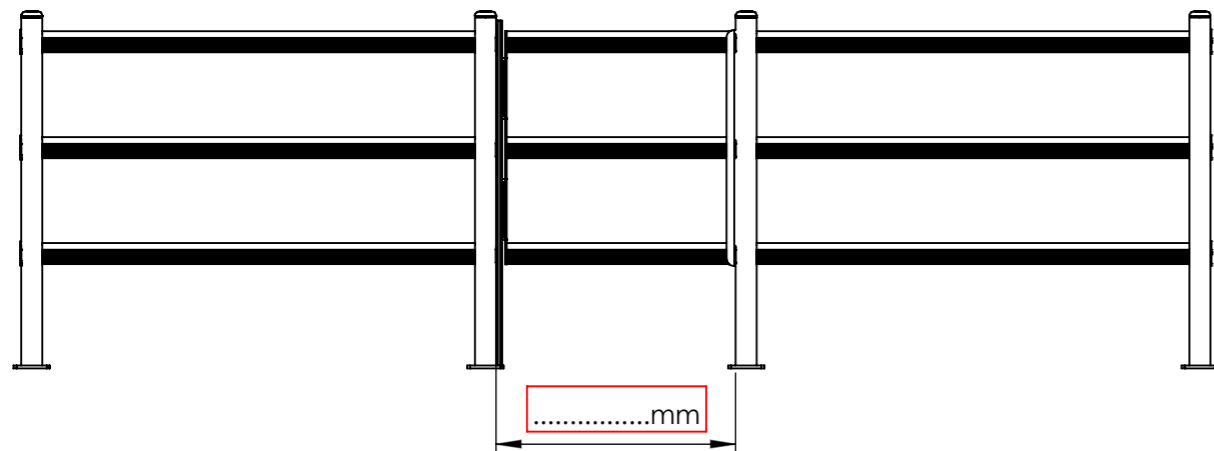
PORTA PEDESTRIAN 90
DOOR PEDESTRIAN 90



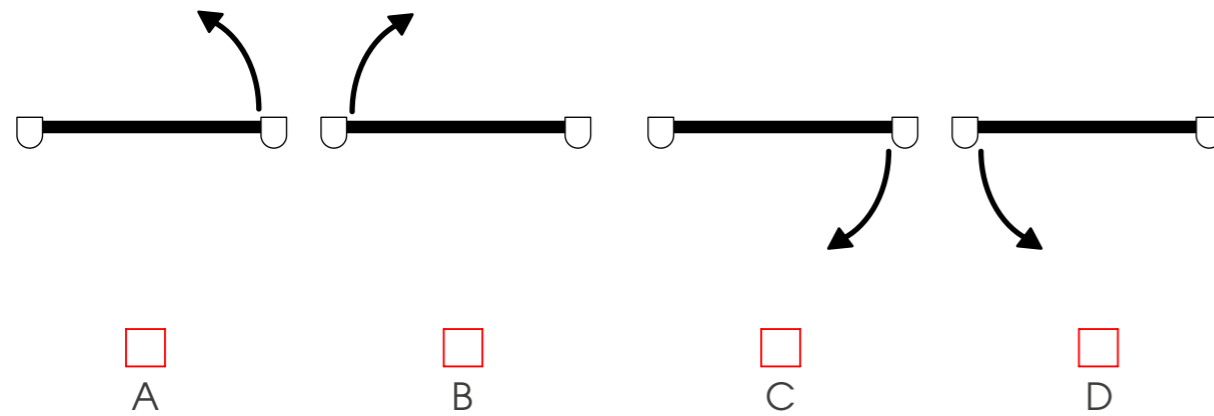
DP 90 ONE WAY

PORTA PEDESTRIAN 90
DOOR PEDESTRIAN 90

PLEASE CHECK HERE BELOW
HOW THE SIZE OF THE DOOR IS TO BE MEASURED

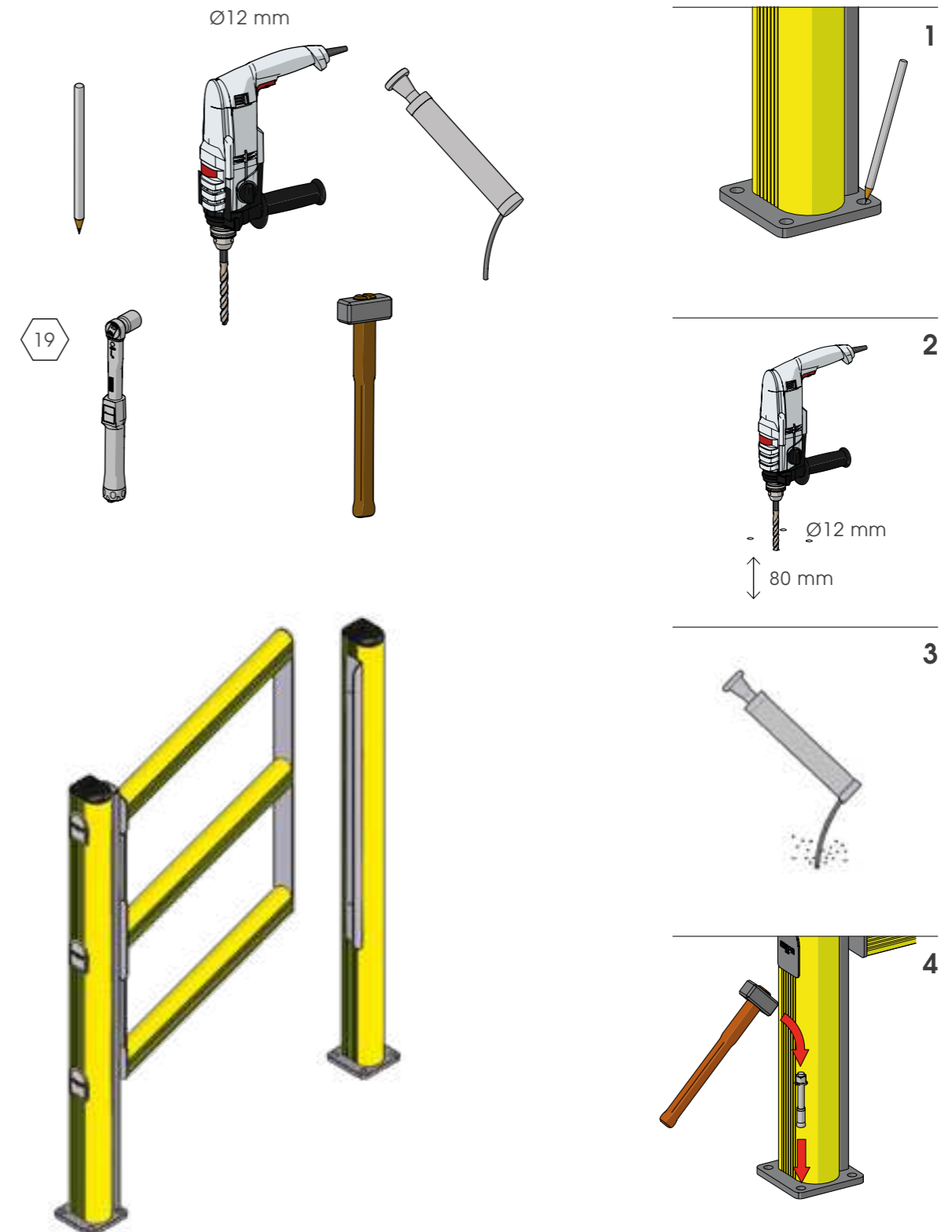


PLEASE CHECK HERE BELOW
WHICH DIRECTION OF OPENING YOU NEED



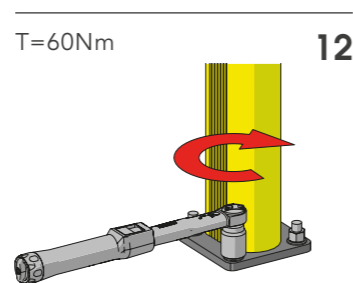
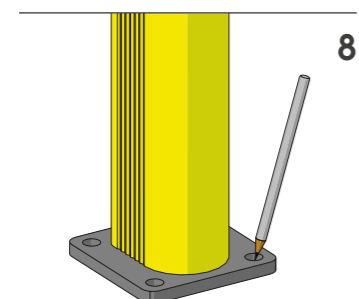
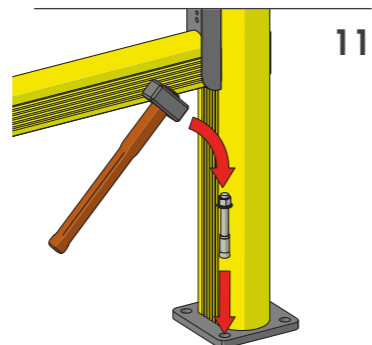
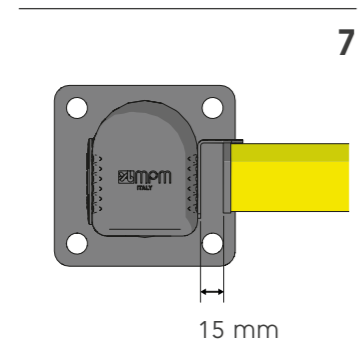
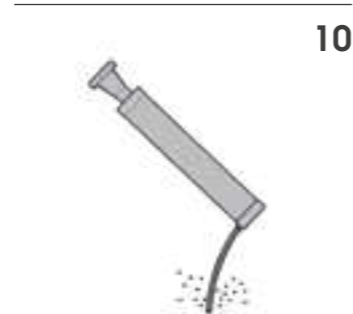
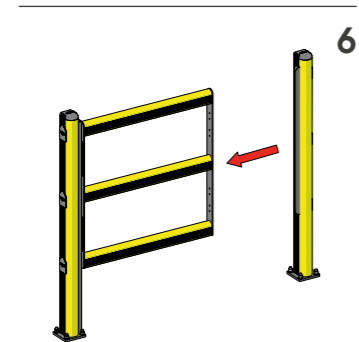
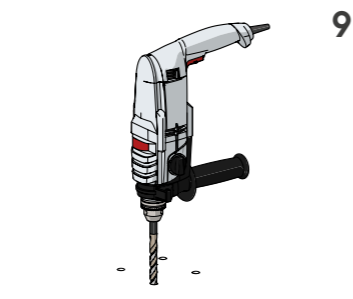
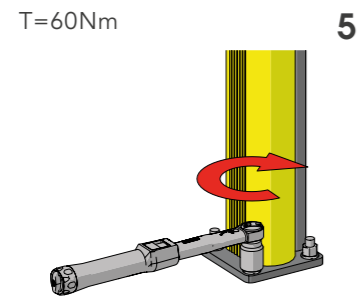
DP 90 ONE WAY

ISTRUZIONI DI INSTALLAZIONE
ASSEMBLY INSTRUCTIONS



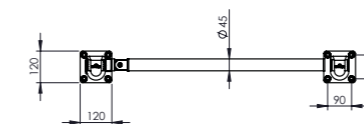
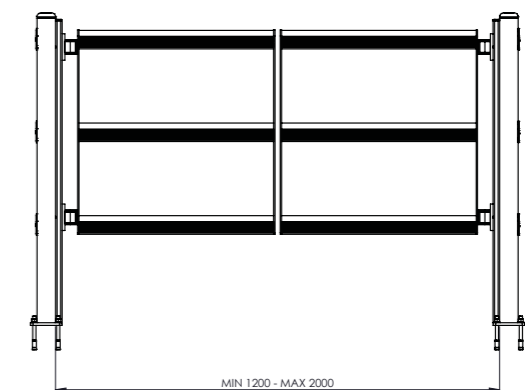
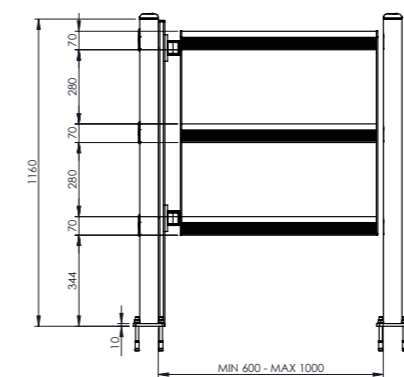
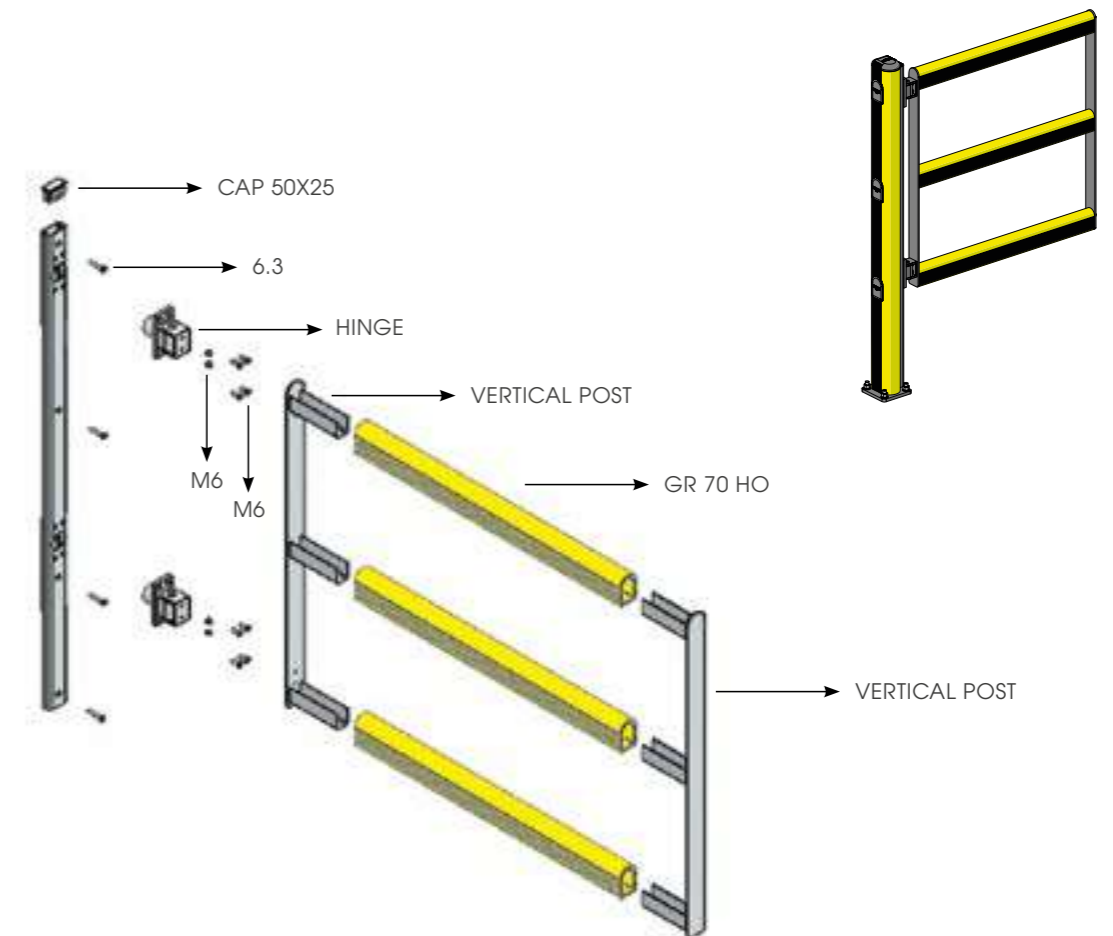
DP 90 ONE WAY

ISTRUZIONI DI INSTALLAZIONE
ASSEMBLY INSTRUCTIONS



DP 90 SWING

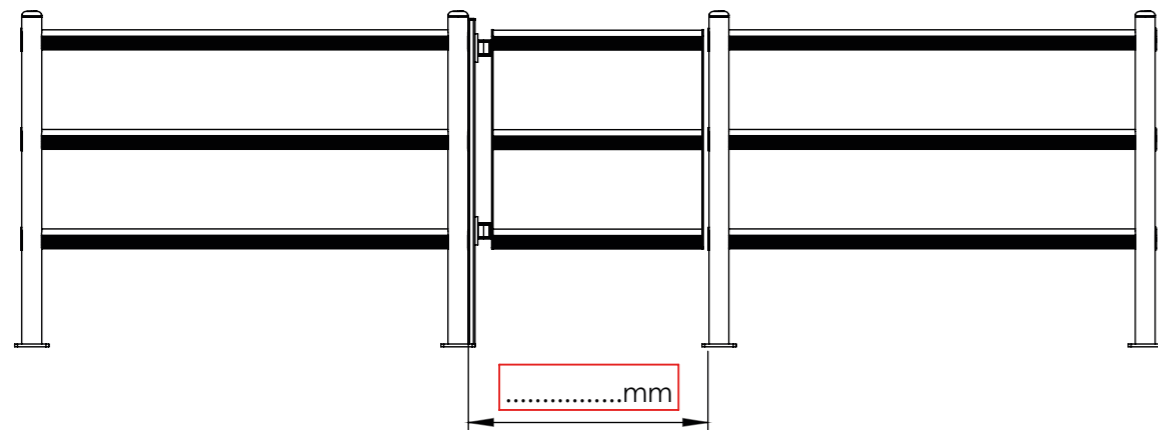
PORTA PEDESTRIAN 90
DOOR PEDESTRIAN 90



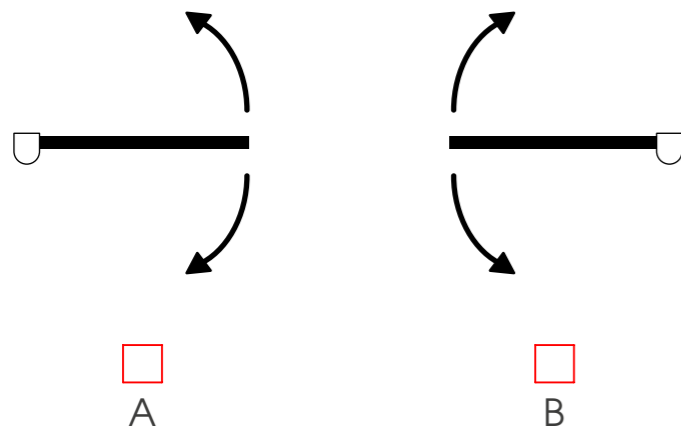
DP 90 SWING

PORTA PEDESTRIAN 90
DOOR PEDESTRIAN 90

PLEASE CHECK HERE BELOW
HOW THE SIZE OF THE DOOR IS TO BE MEASURED

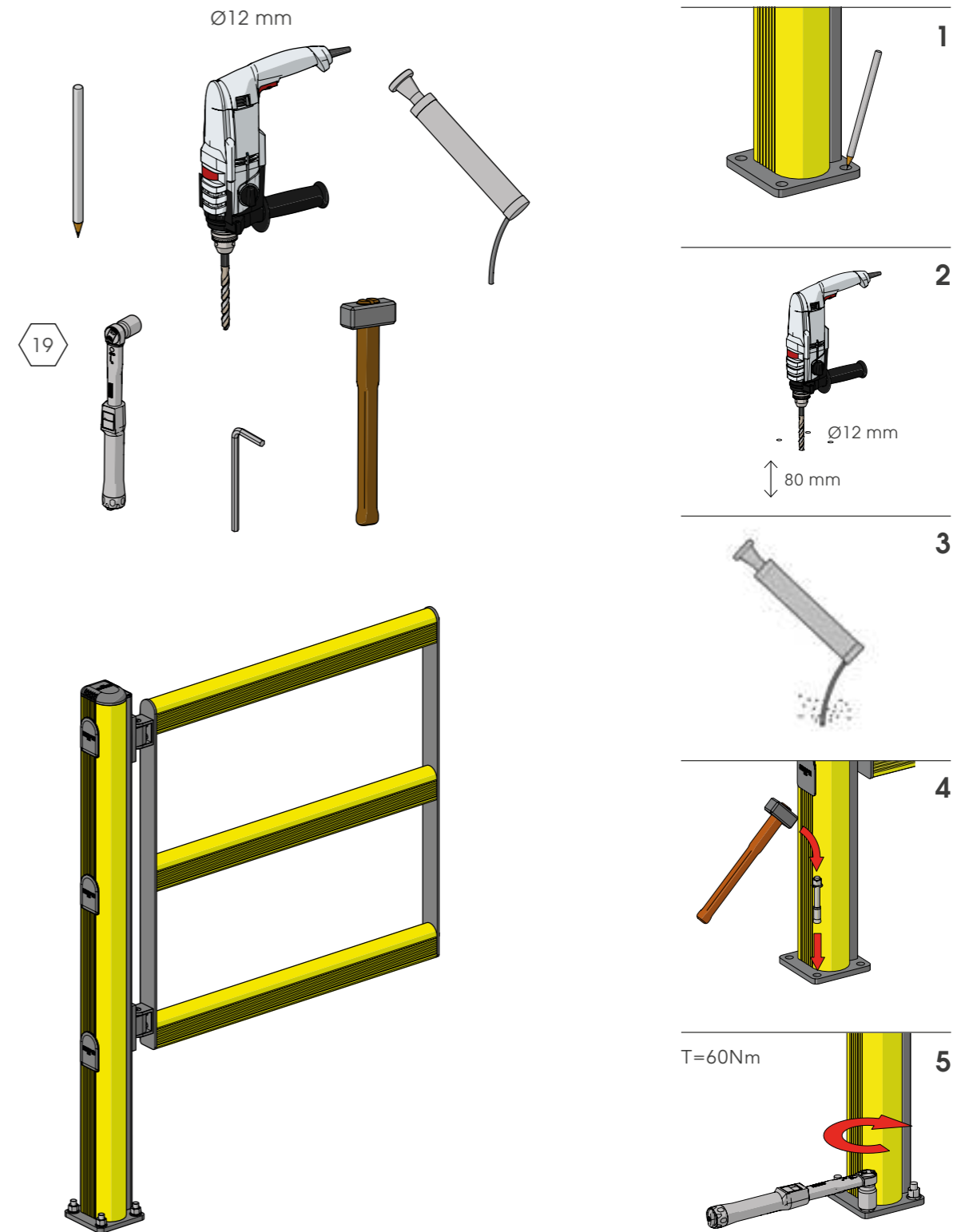


PLEASE CHECK HERE BELOW
WHICH DIRECTION OF OPENING YOU NEED



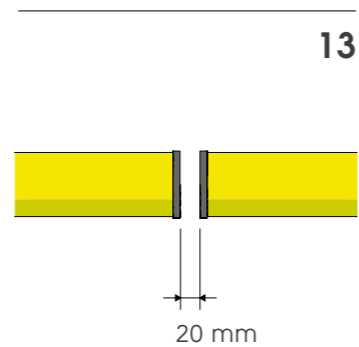
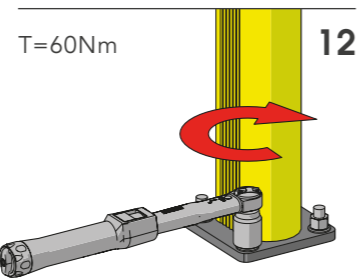
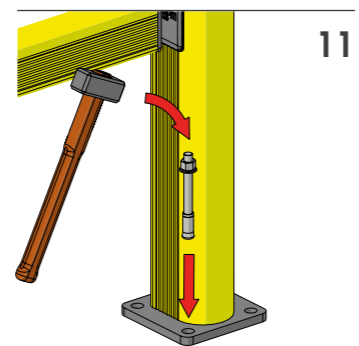
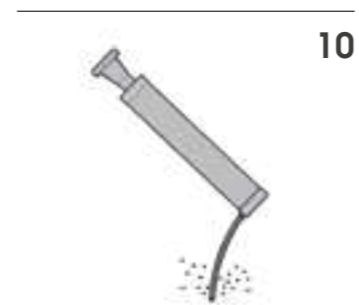
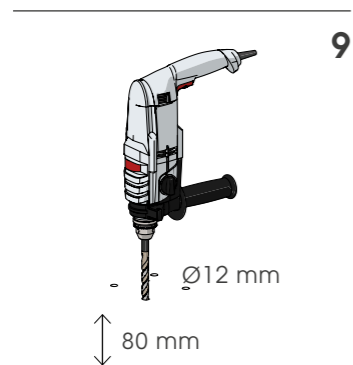
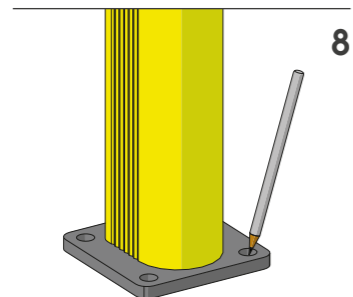
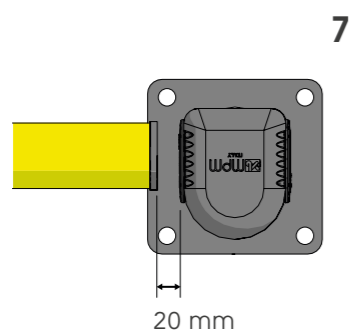
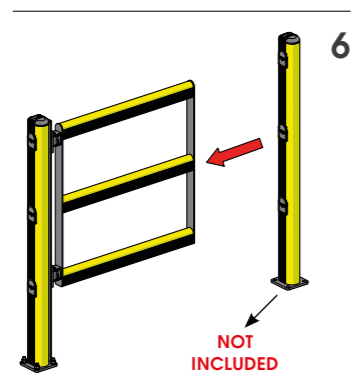
DP 90 SWING

ISTRUZIONI DI INSTALLAZIONE
ASSEMBLY INSTRUCTIONS



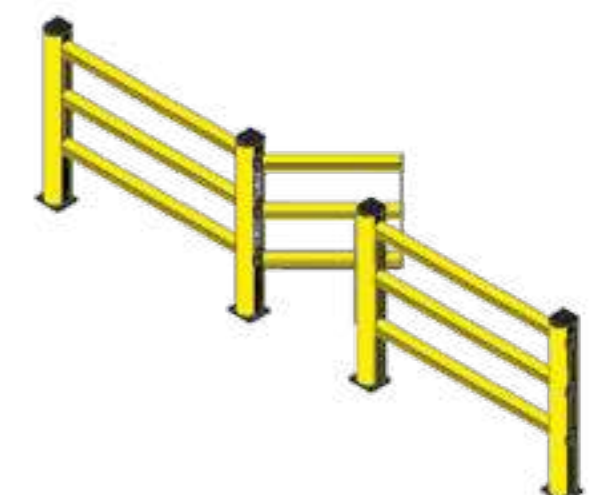
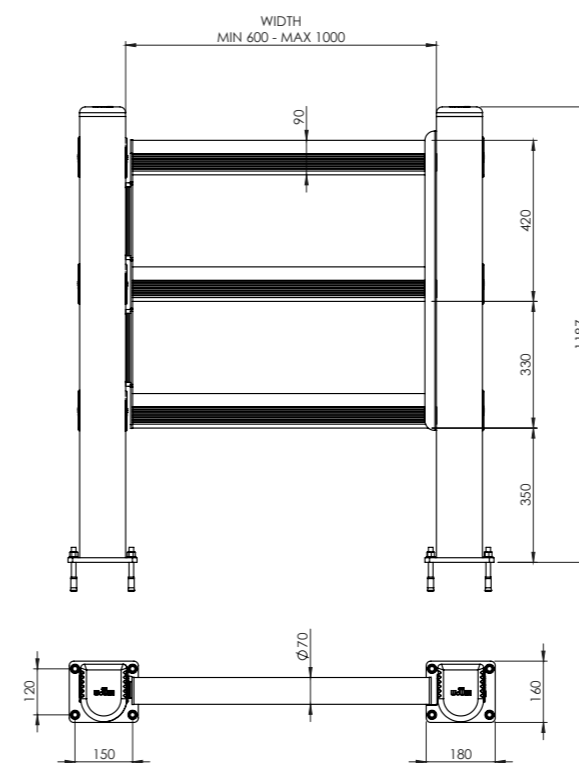
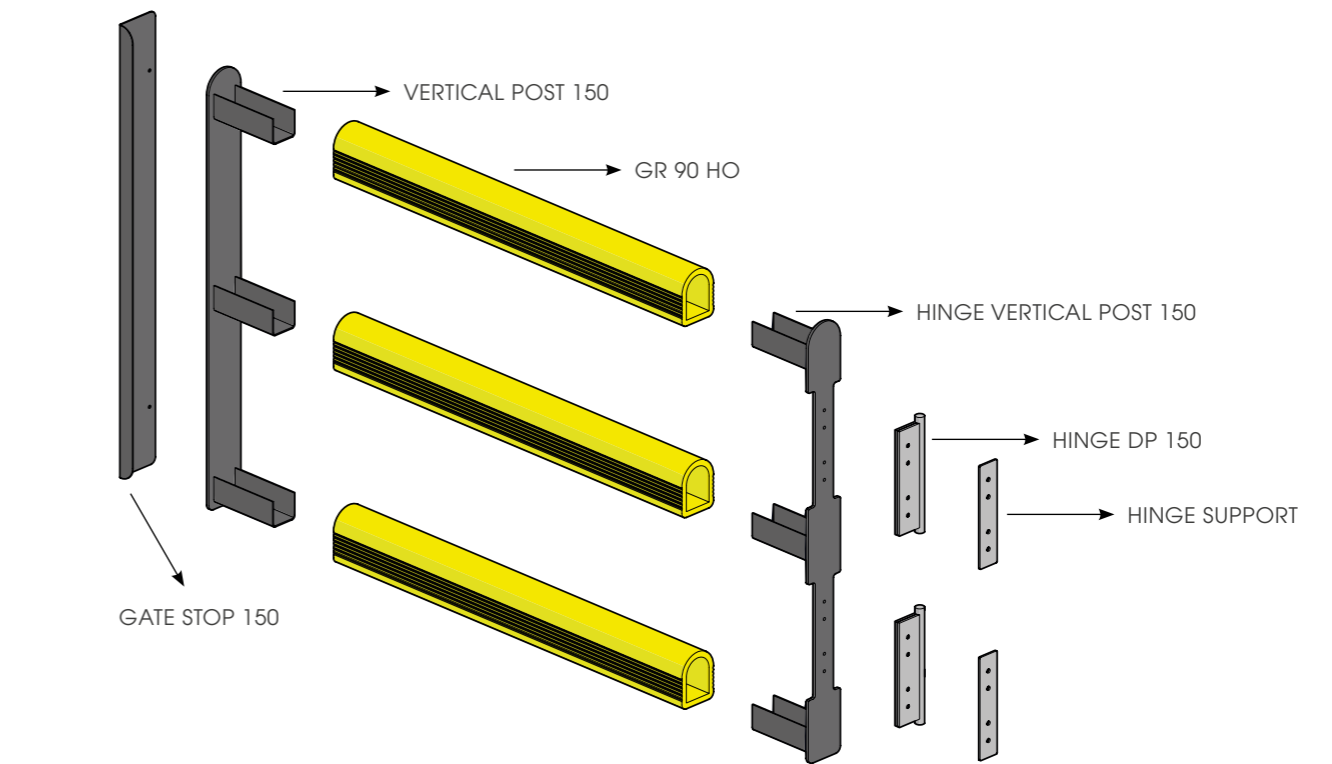
DP 90 SWING

ISTRUZIONI DI INSTALLAZIONE
ASSEMBLY INSTRUCTIONS



DP 150 ONE WAY

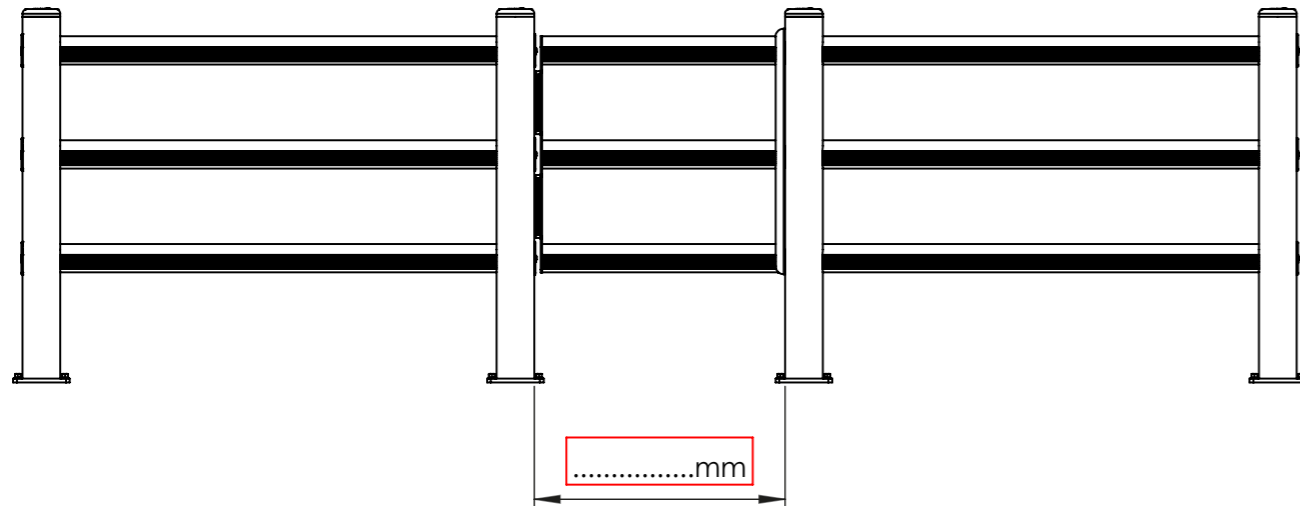
PORTA PEDESTRIAN 150
DOOR PEDESTRIAN 150



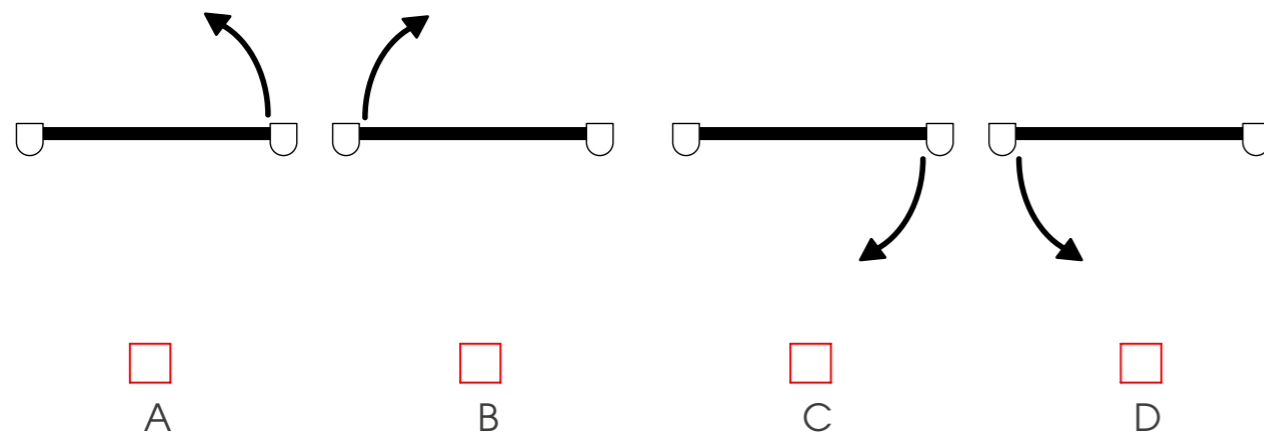
DP 150 ONE WAY

PORTA PEDESTRIAN 150
DOOR PEDESTRIAN 150

PLEASE CHECK HERE BELOW
HOW THE SIZE OF THE DOOR IS TO BE MEASURED

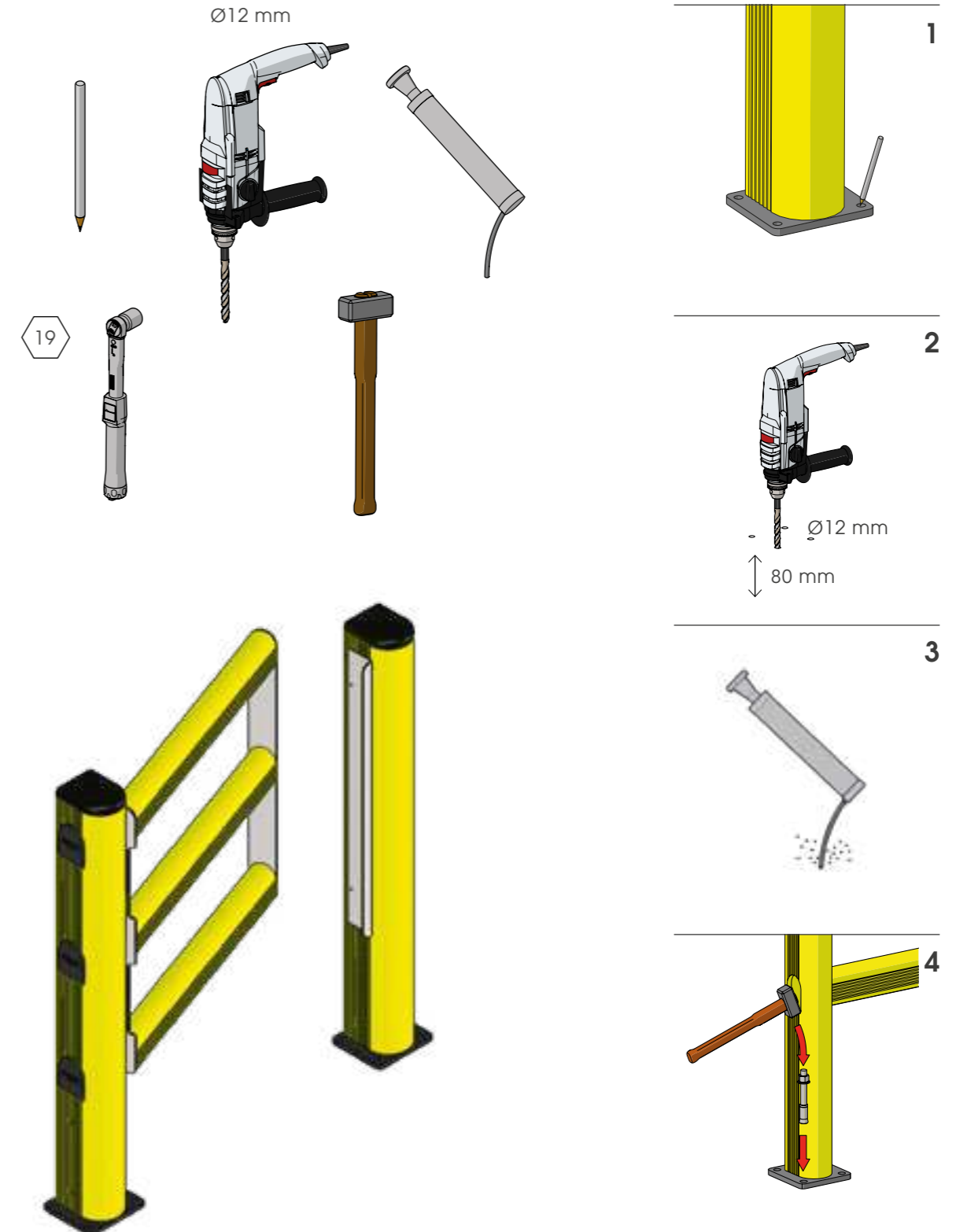


PLEASE CHECK HERE BELOW
WHICH DIRECTION OF OPENING YOU NEED



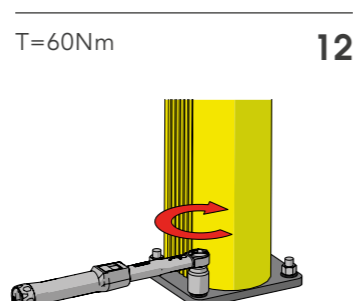
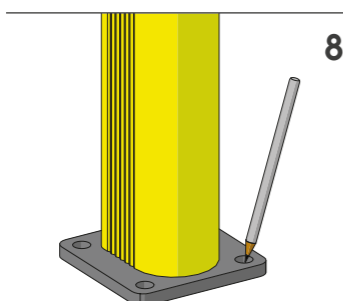
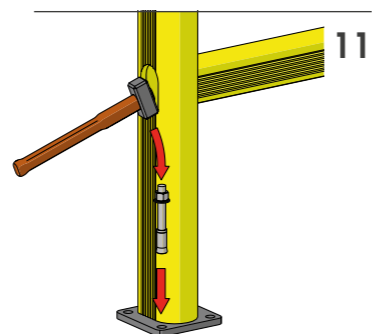
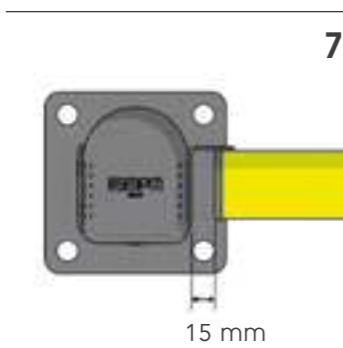
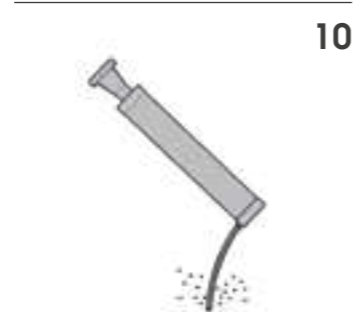
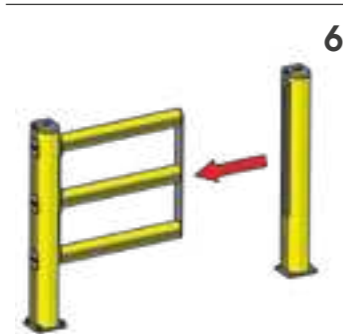
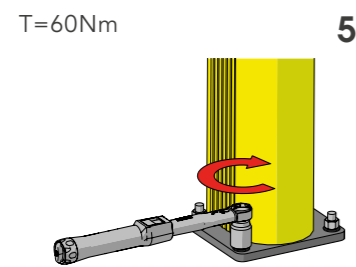
DP 150 ONE WAY

ISTRUZIONI DI INSTALLAZIONE
ASSEMBLY INSTRUCTIONS



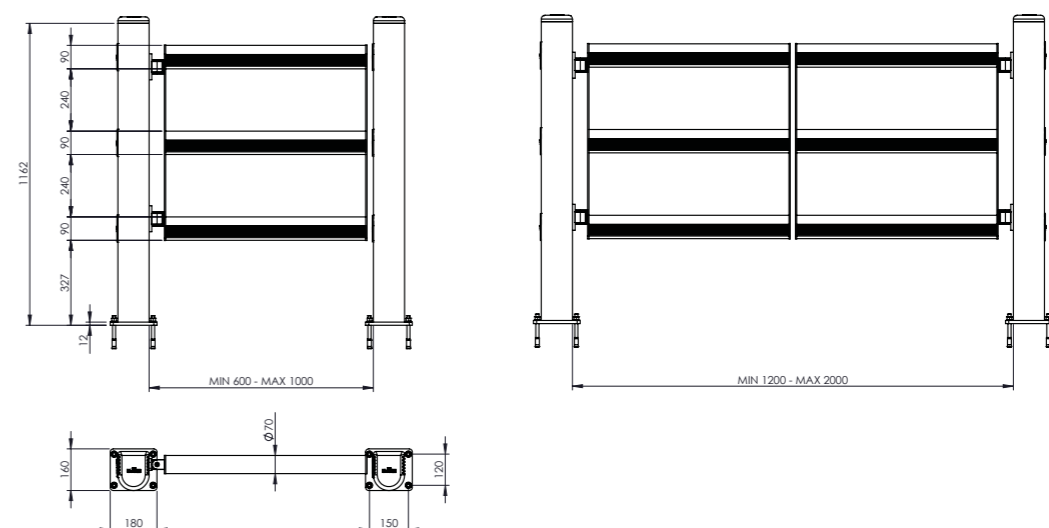
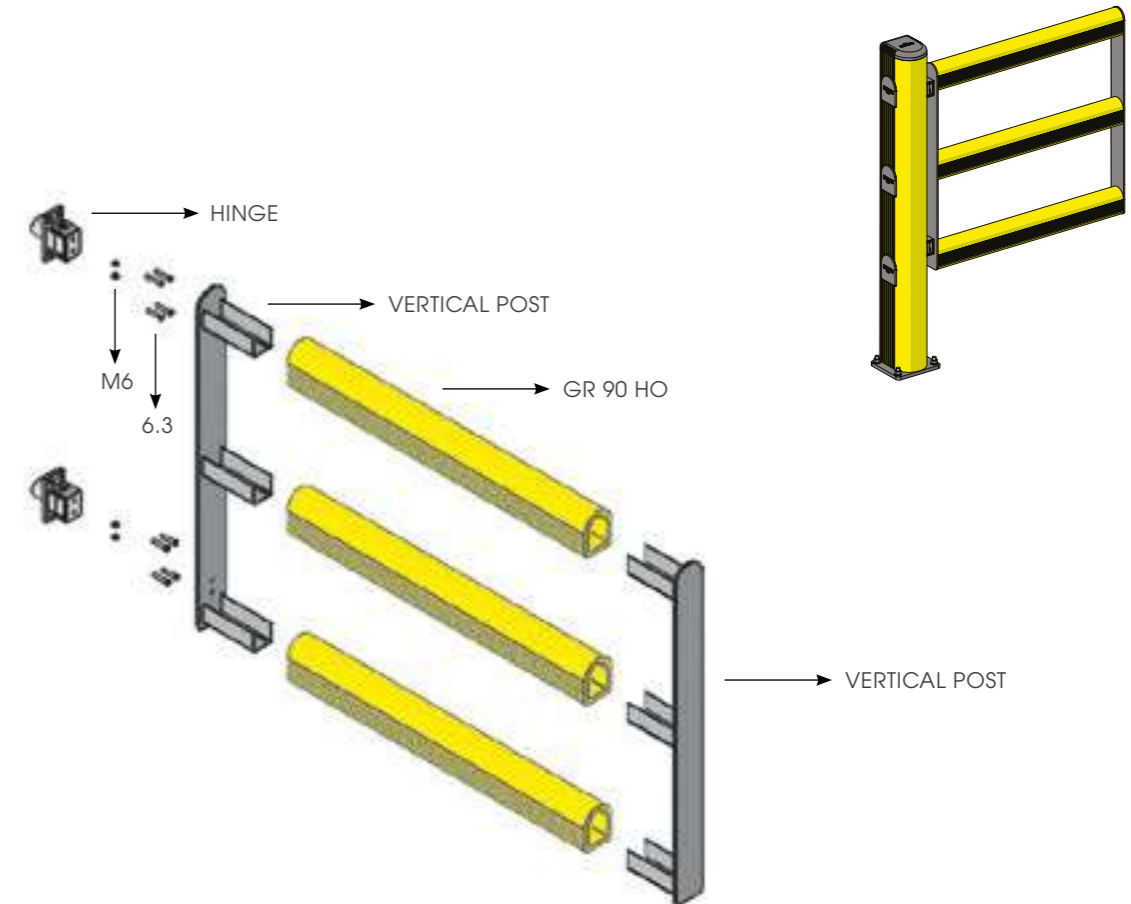
DP 150 ONE WAY

ISTRUZIONI DI INSTALLAZIONE
ASSEMBLY INSTRUCTIONS



DP 150 SWING

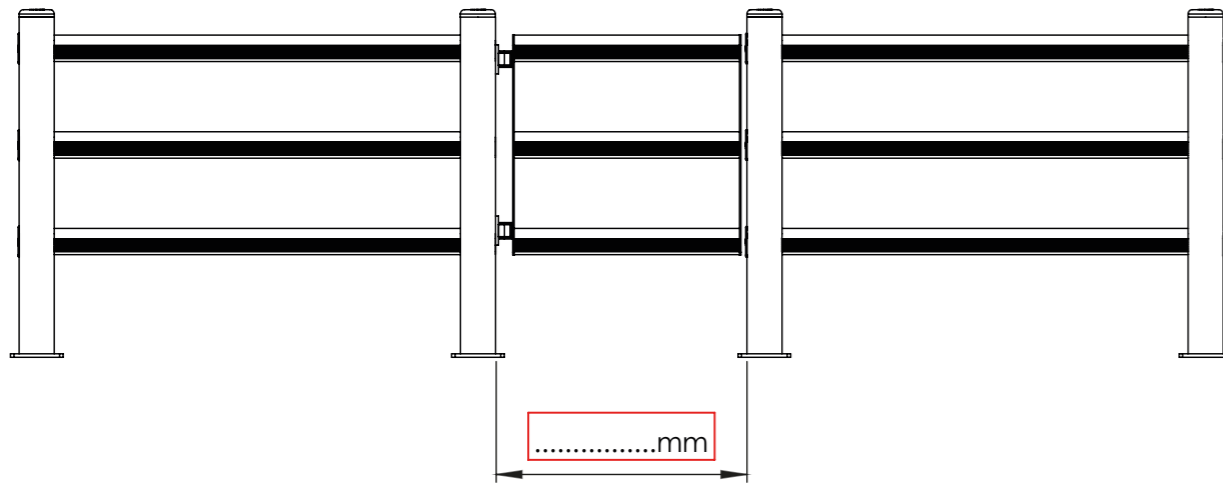
PORTA PEDESTRIAN 90
DOOR PEDESTRIAN 90



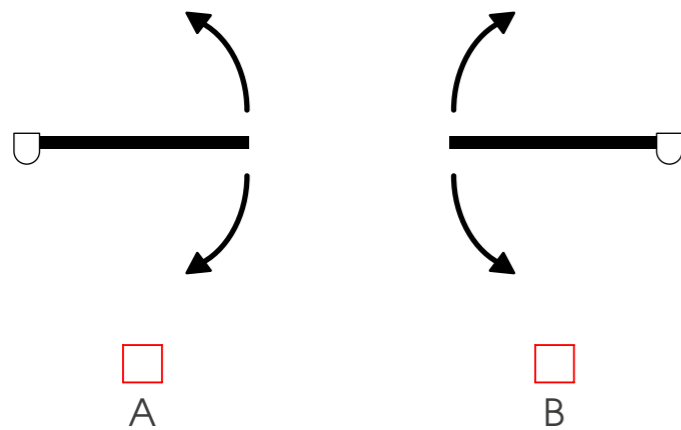
DP 150 SWING

PORTA PEDESTRIAN 150
DOOR PEDESTRIAN 150

PLEASE CHECK HERE BELOW
HOW THE SIZE OF THE DOOR IS TO BE MEASURED

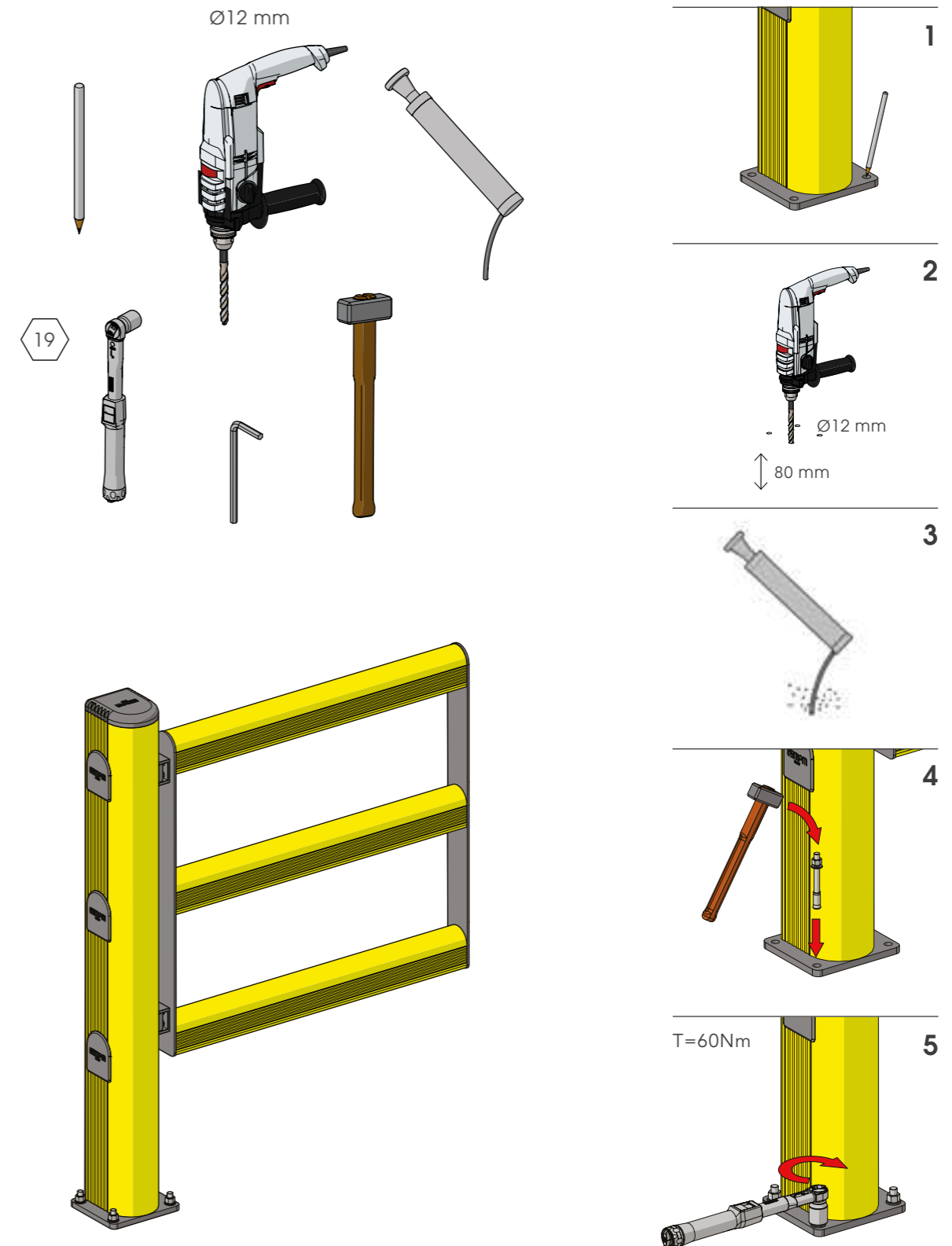


PLEASE CHECK HERE BELOW
WHICH DIRECTION OF OPENING YOU NEED



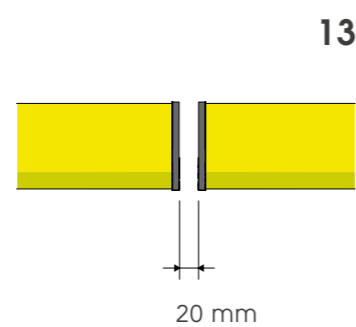
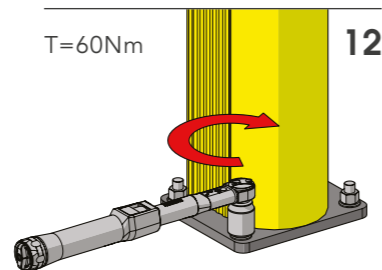
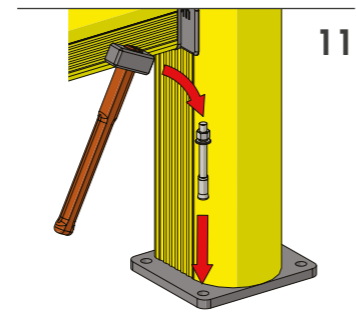
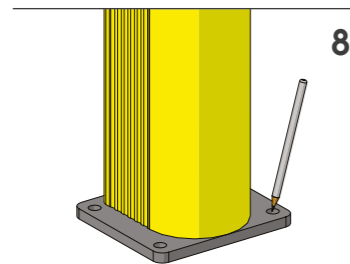
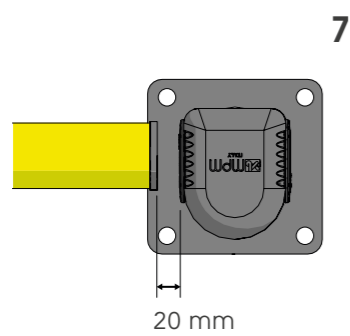
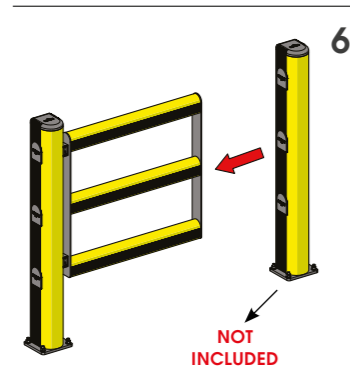
DP 150 SWING

ISTRUZIONI DI INSTALLAZIONE
ASSEMBLY INSTRUCTIONS



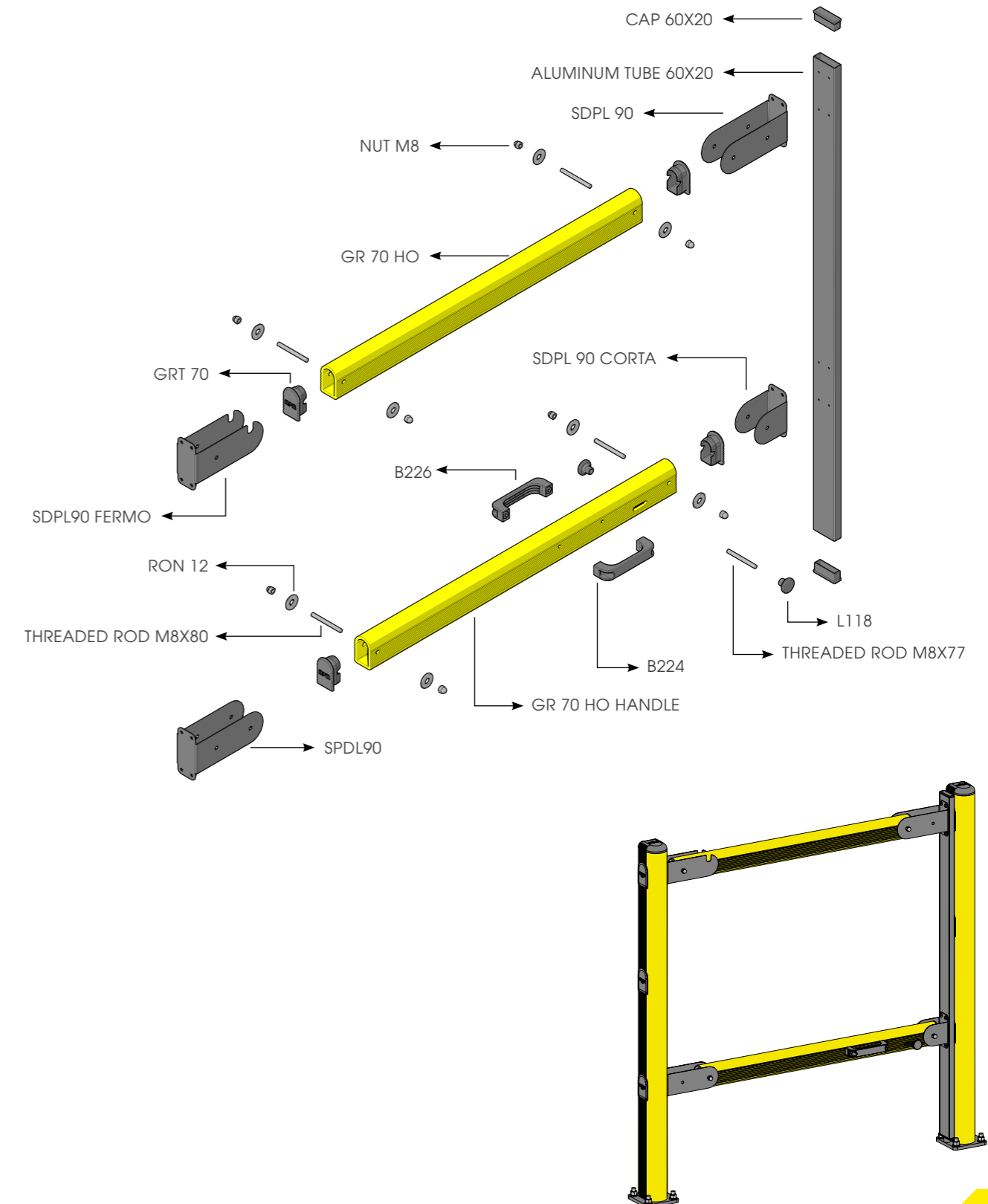
DP 150 SWING

ISTRUZIONI DI INSTALLAZIONE
ASSEMBLY INSTRUCTIONS



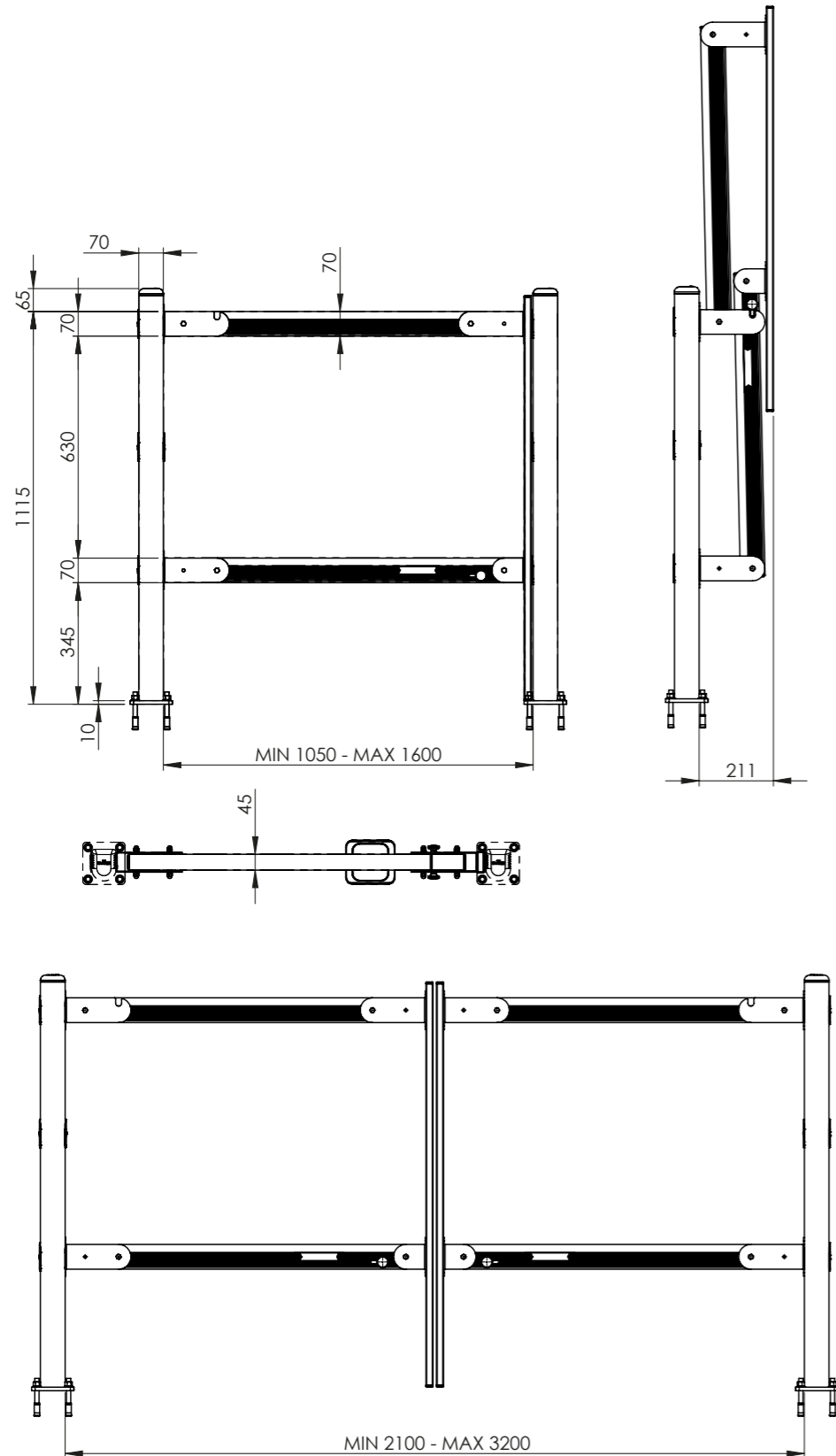
LIFT GATE 90

CANCELLO PEDESTRIAN 90
GATE FOR PEDESTRIAN 90



LIFT GATE 90

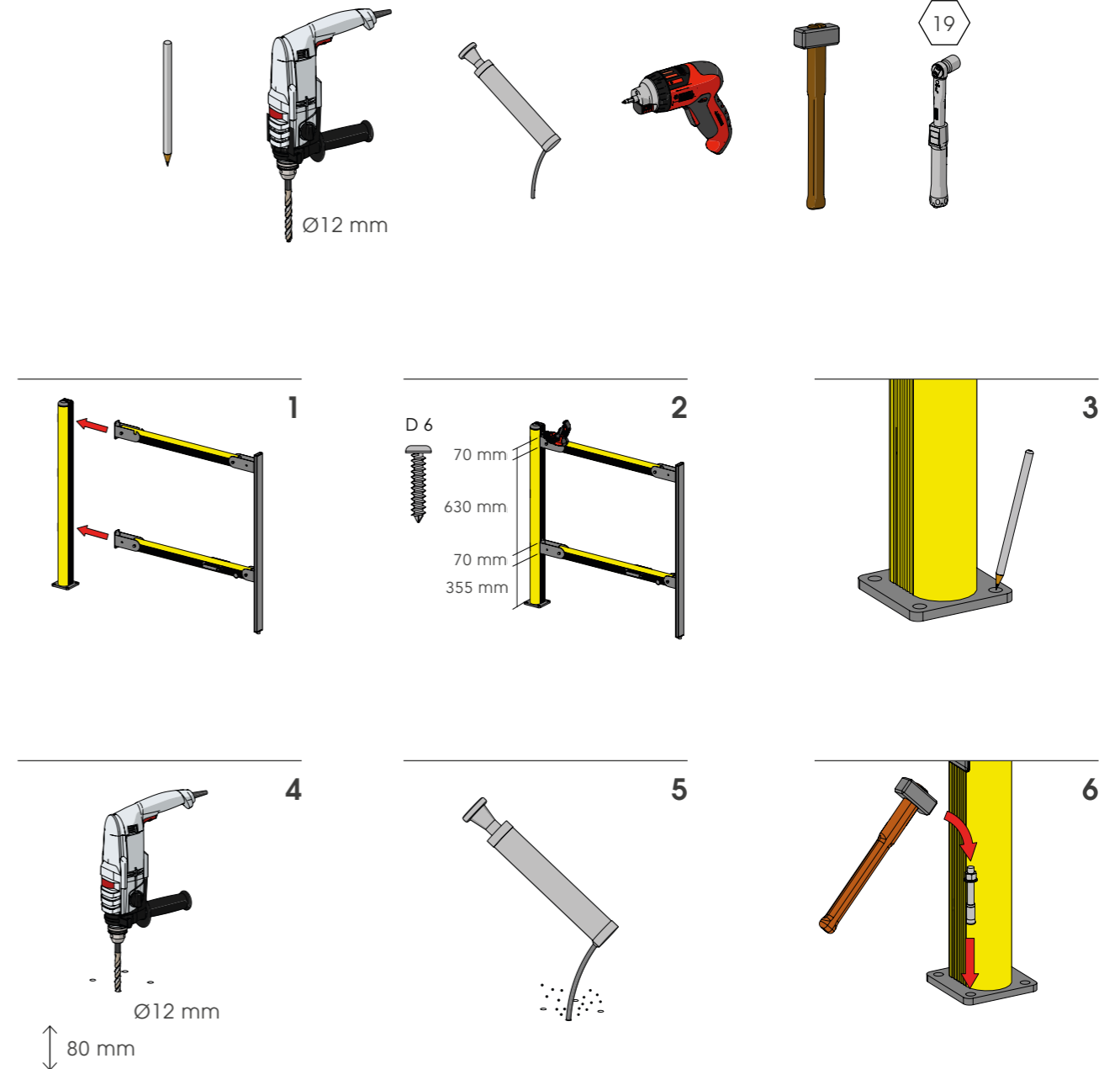
CANCELLO PEDESTRIAN 90
GATE FOR PEDESTRIAN 90



LIFT GATE 90

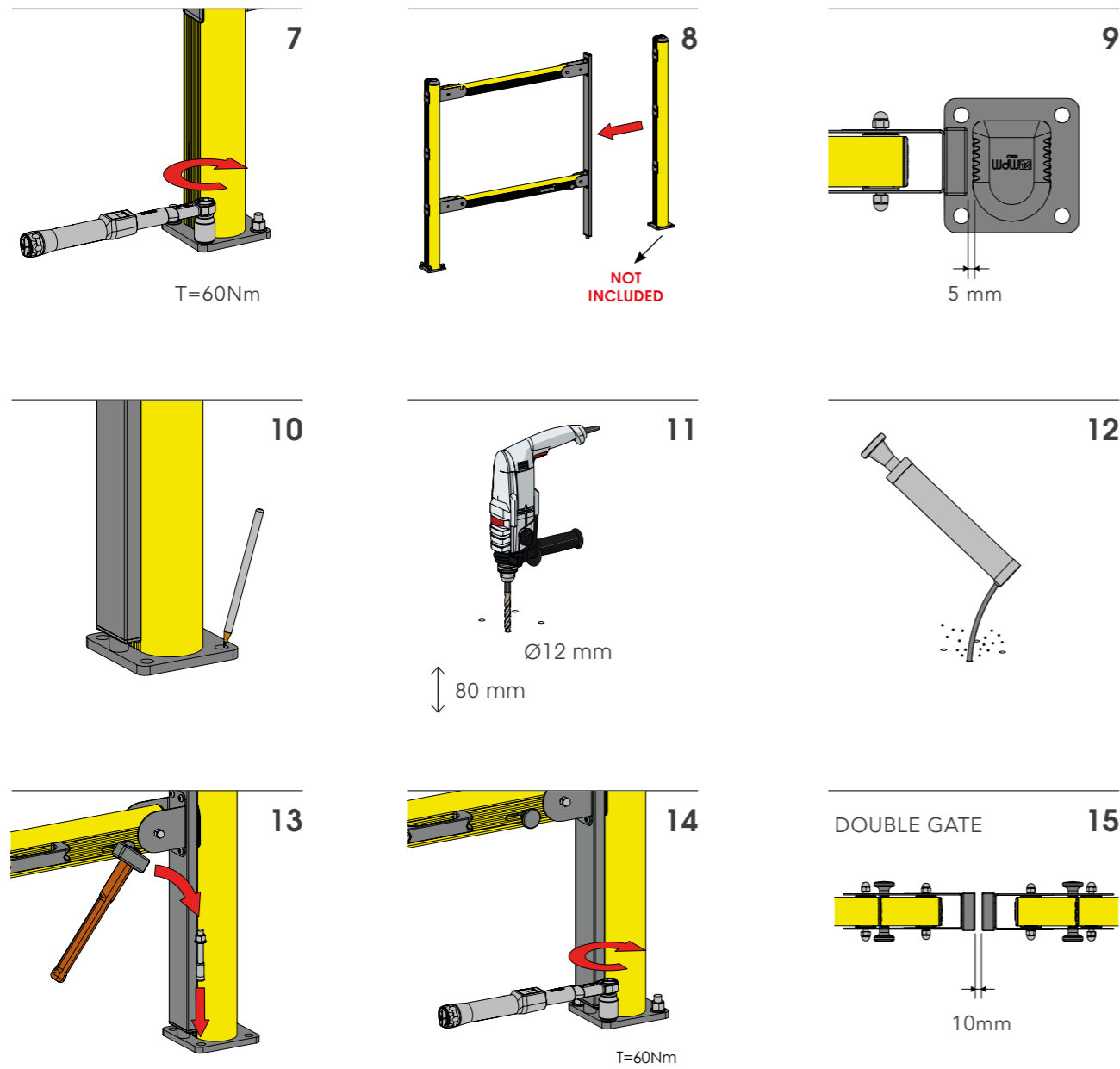
ISTRUZIONI DI INSTALLAZIONE
ASSEMBLY INSTRUCTIONS

WARNING
The distance of installation depends on speed and weight of vehicle



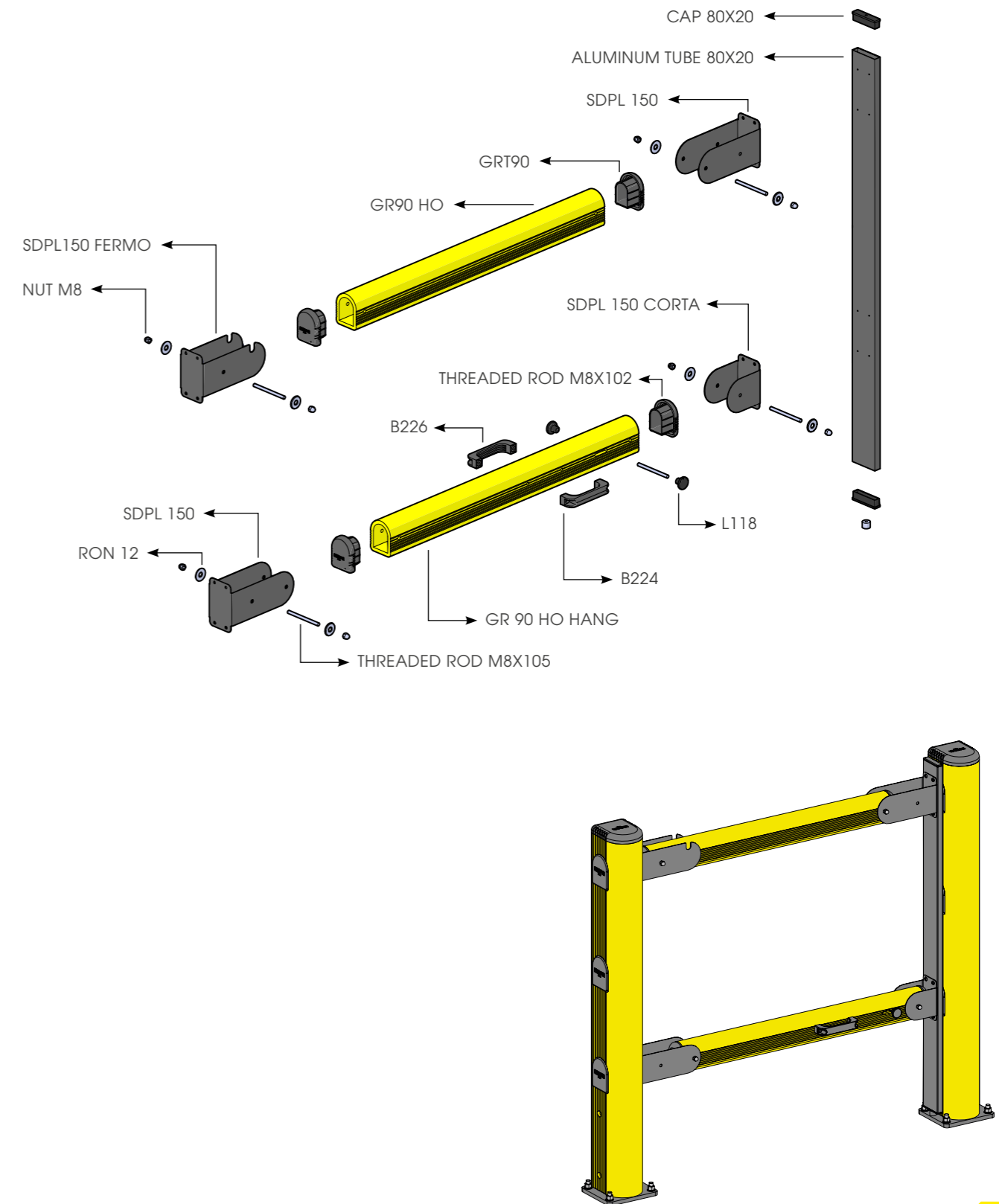
LIFT GATE 90

ISTRUZIONI DI INSTALLAZIONE
ASSEMBLY INSTRUCTIONS



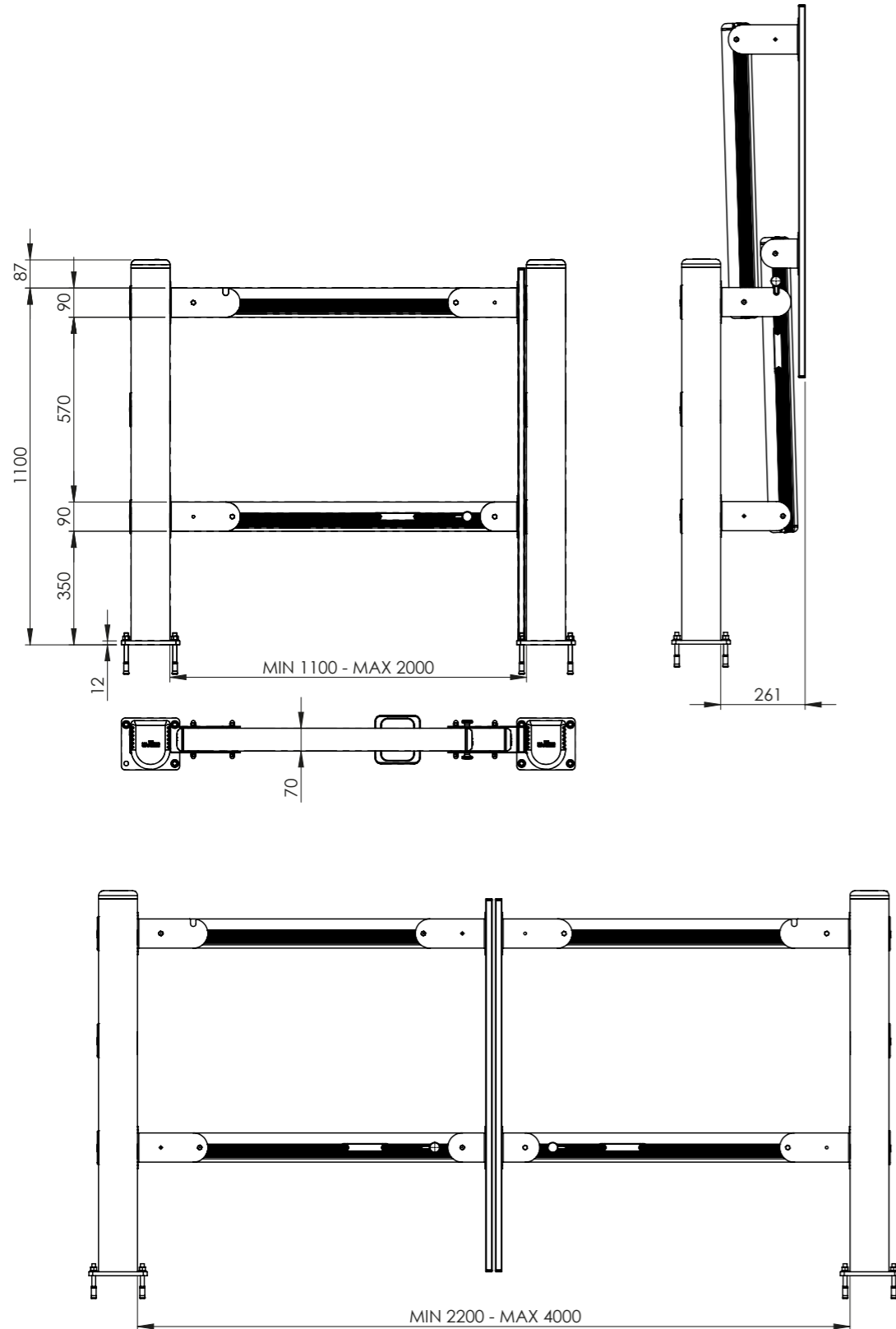
LIFT GATE 150

CANCELLO PEDESTRIAN 150
GATE FOR PEDESTRIAN 150



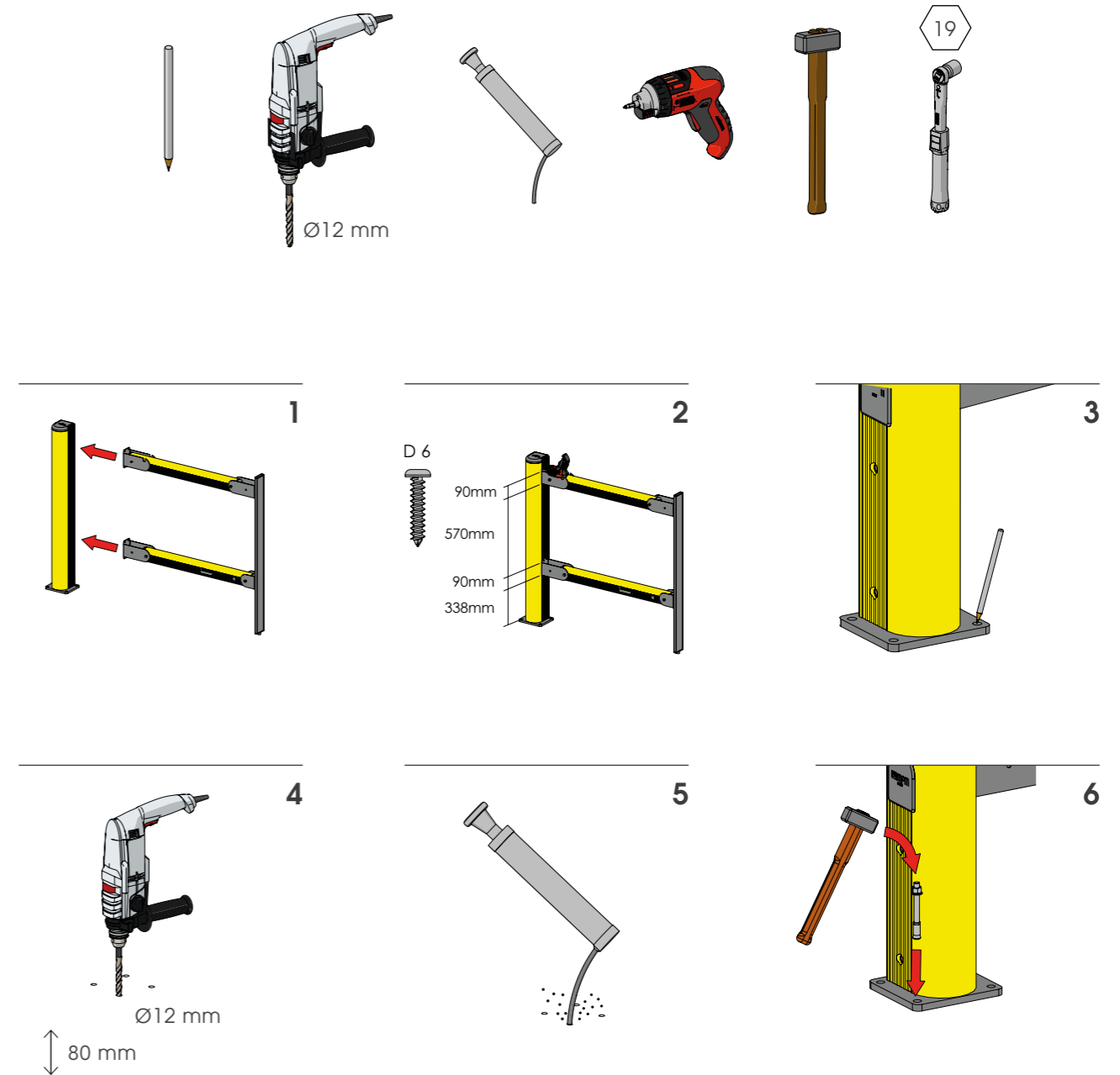
LIFT GATE 150

CANCELLO PEDESTRIAN 150
GATE FOR PEDESTRIAN 150



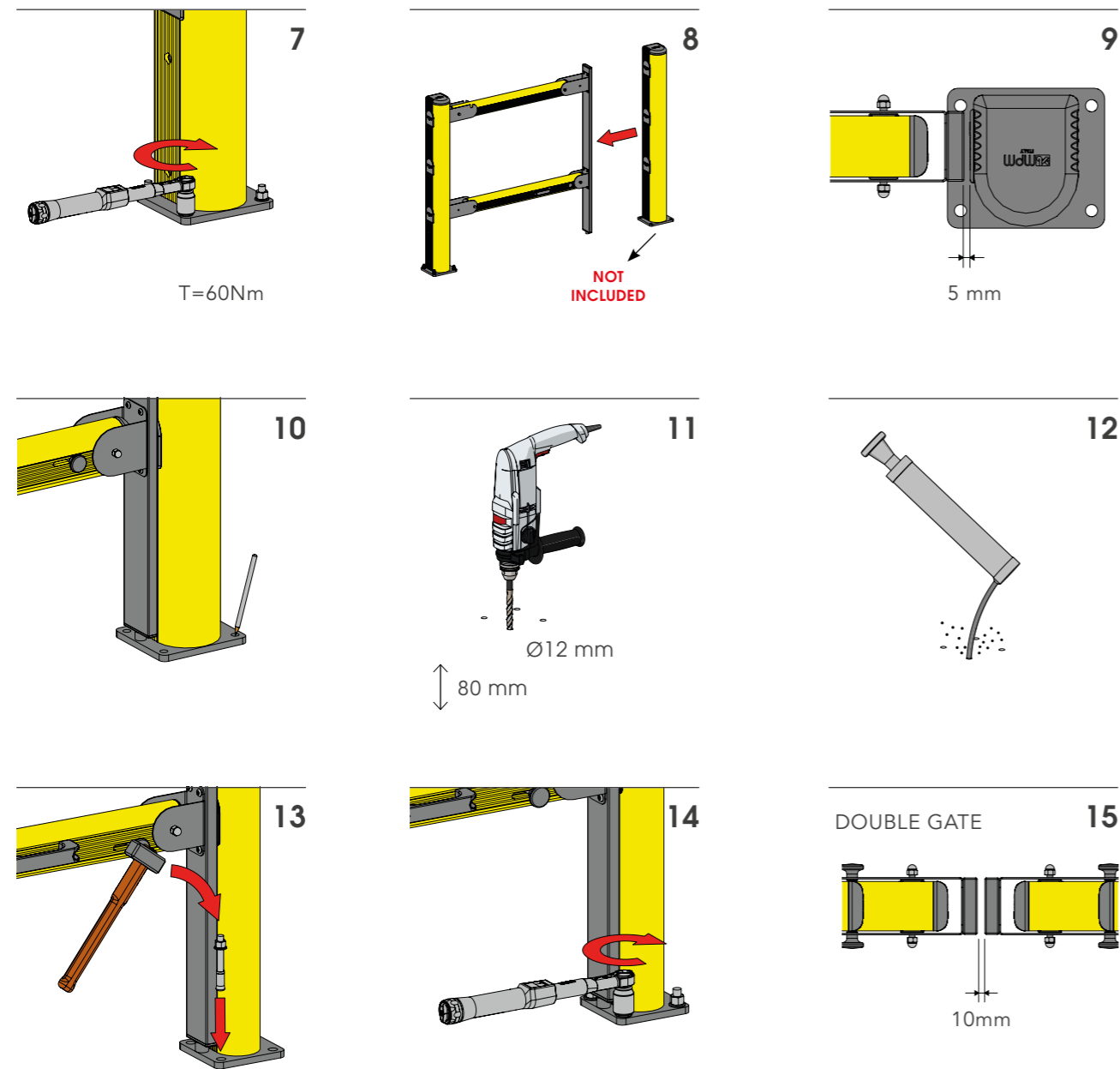
LIFT GATE 150

ISTRUZIONI DI INSTALLAZIONE
ASSEMBLY INSTRUCTIONS



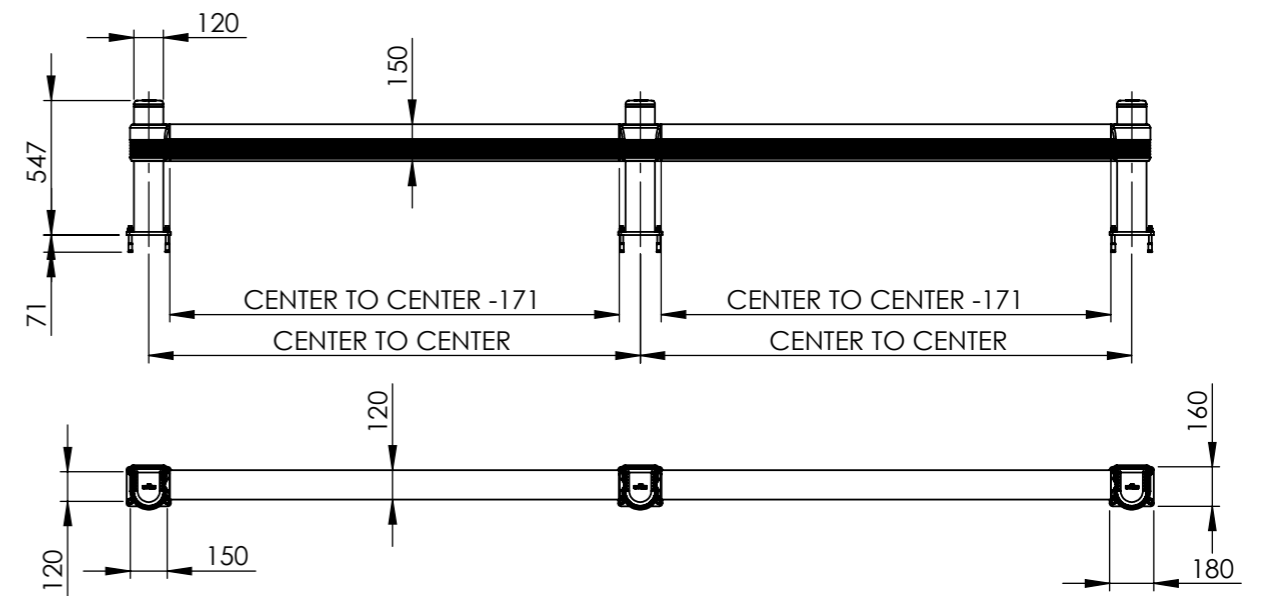
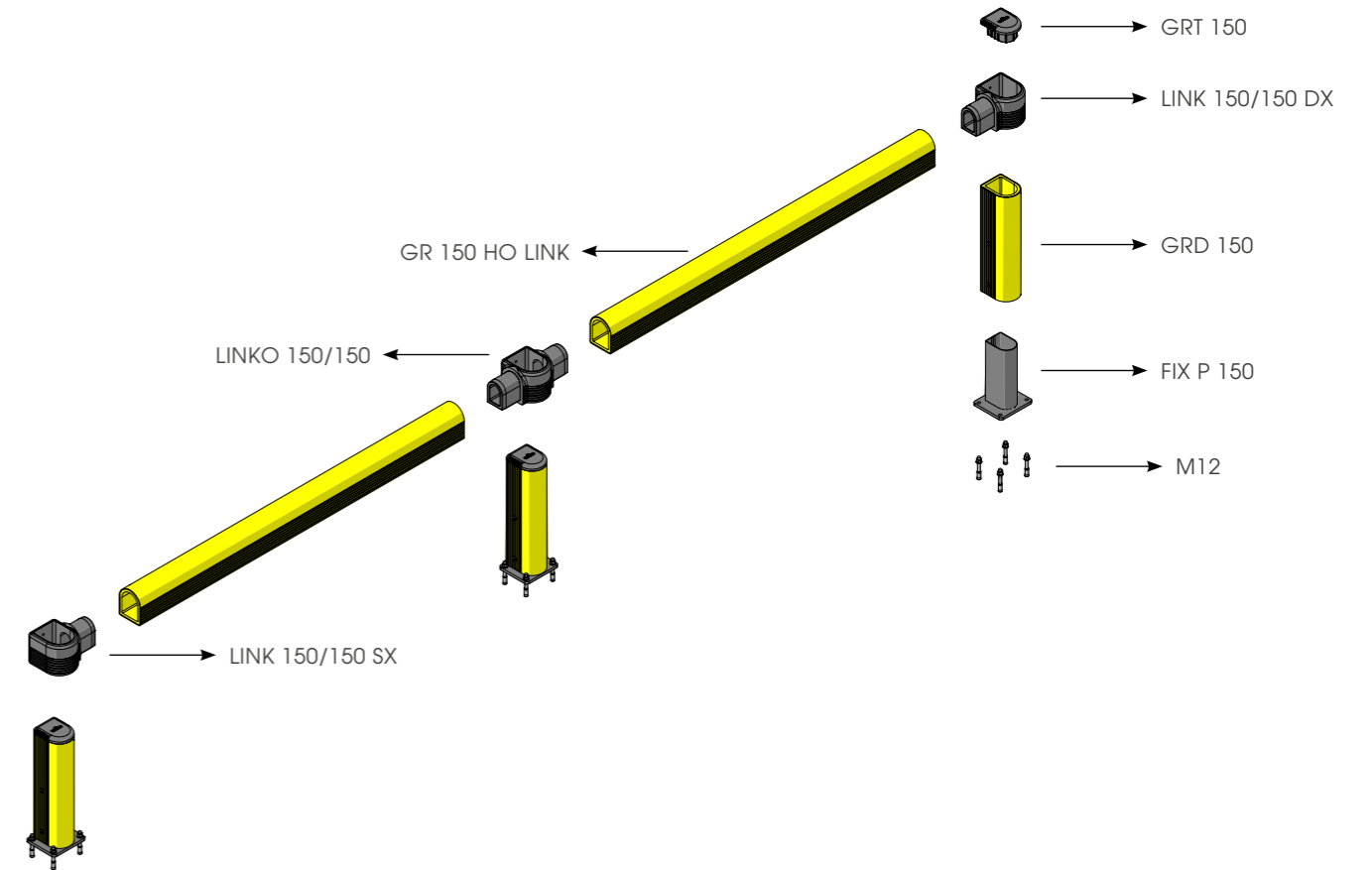
LIFT GATE 150

ISTRUZIONI DI INSTALLAZIONE
ASSEMBLY INSTRUCTIONS



LINK SINGLE

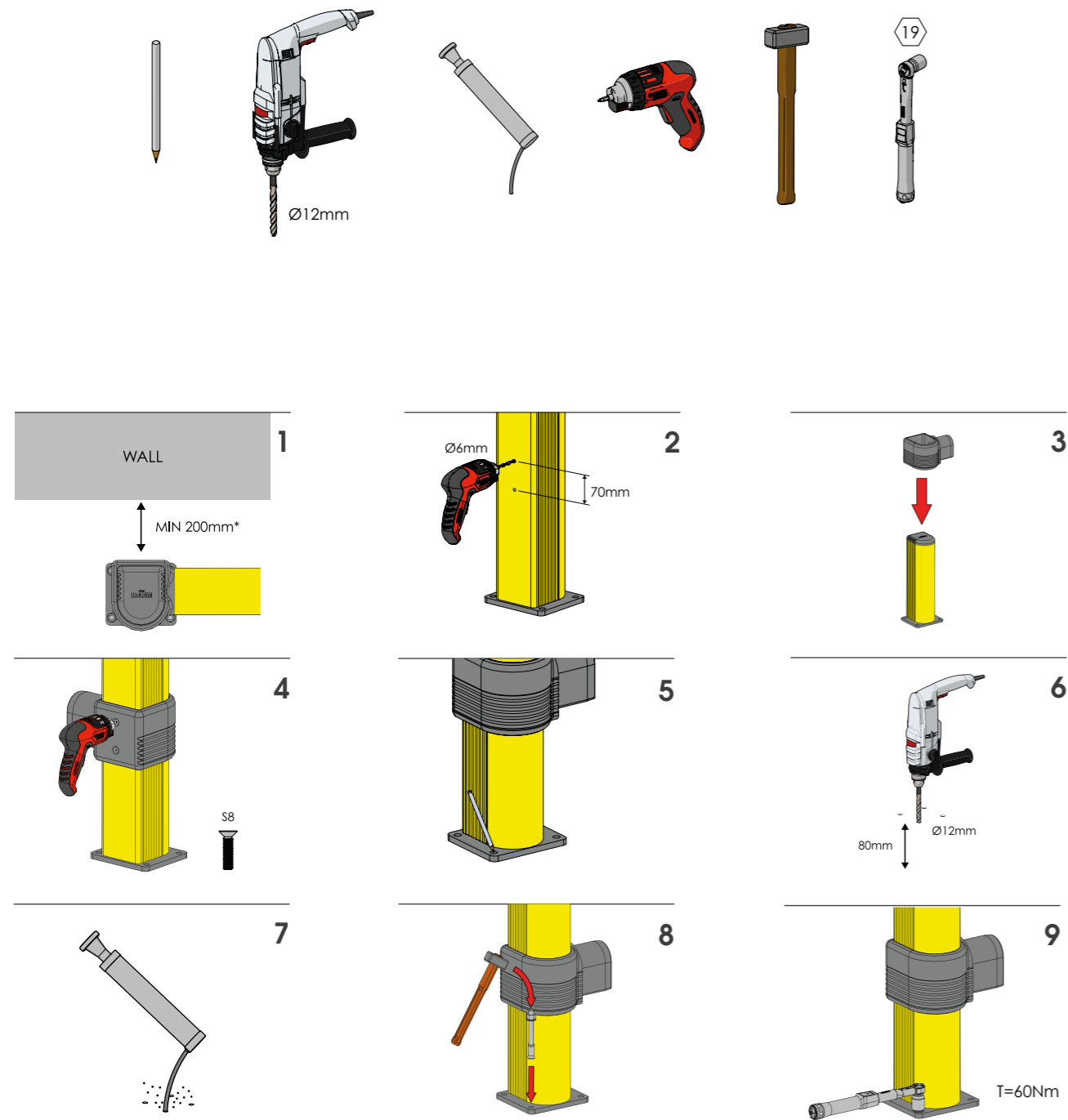
GUARD RAIL A SINGOLA BARRIERA REGOLABILE
ADJUSTABLE SINGLE RAIL BARRIER



LINK SINGLE

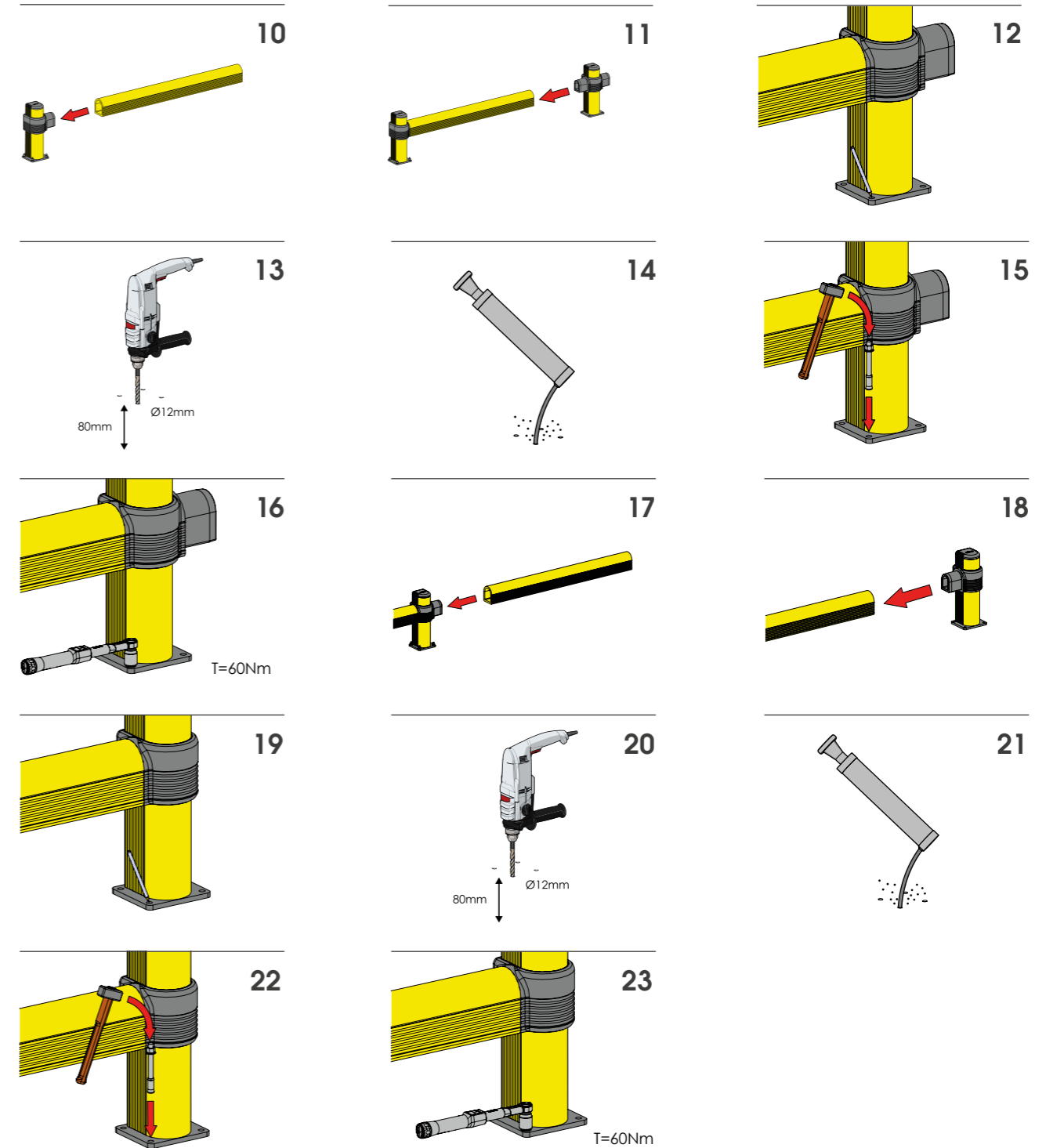
ISTRUZIONI DI INSTALLAZIONE
ASSEMBLY INSTRUCTIONS

WARNING | The distance of installation depends on speed and weight of vehicle
| The product is equipped with screws M8



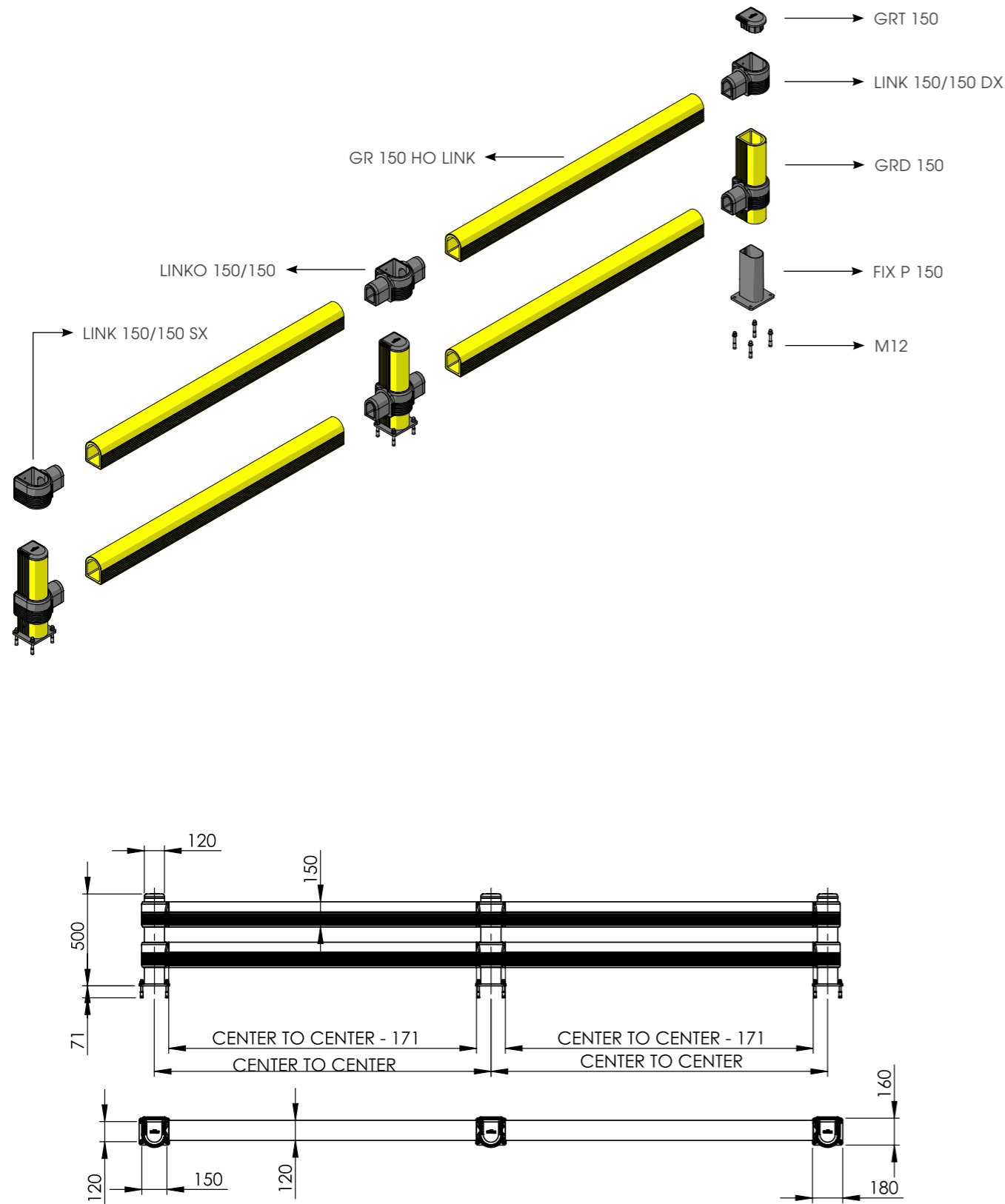
LINK SINGLE

ISTRUZIONI DI INSTALLAZIONE
ASSEMBLY INSTRUCTIONS



LINK LM

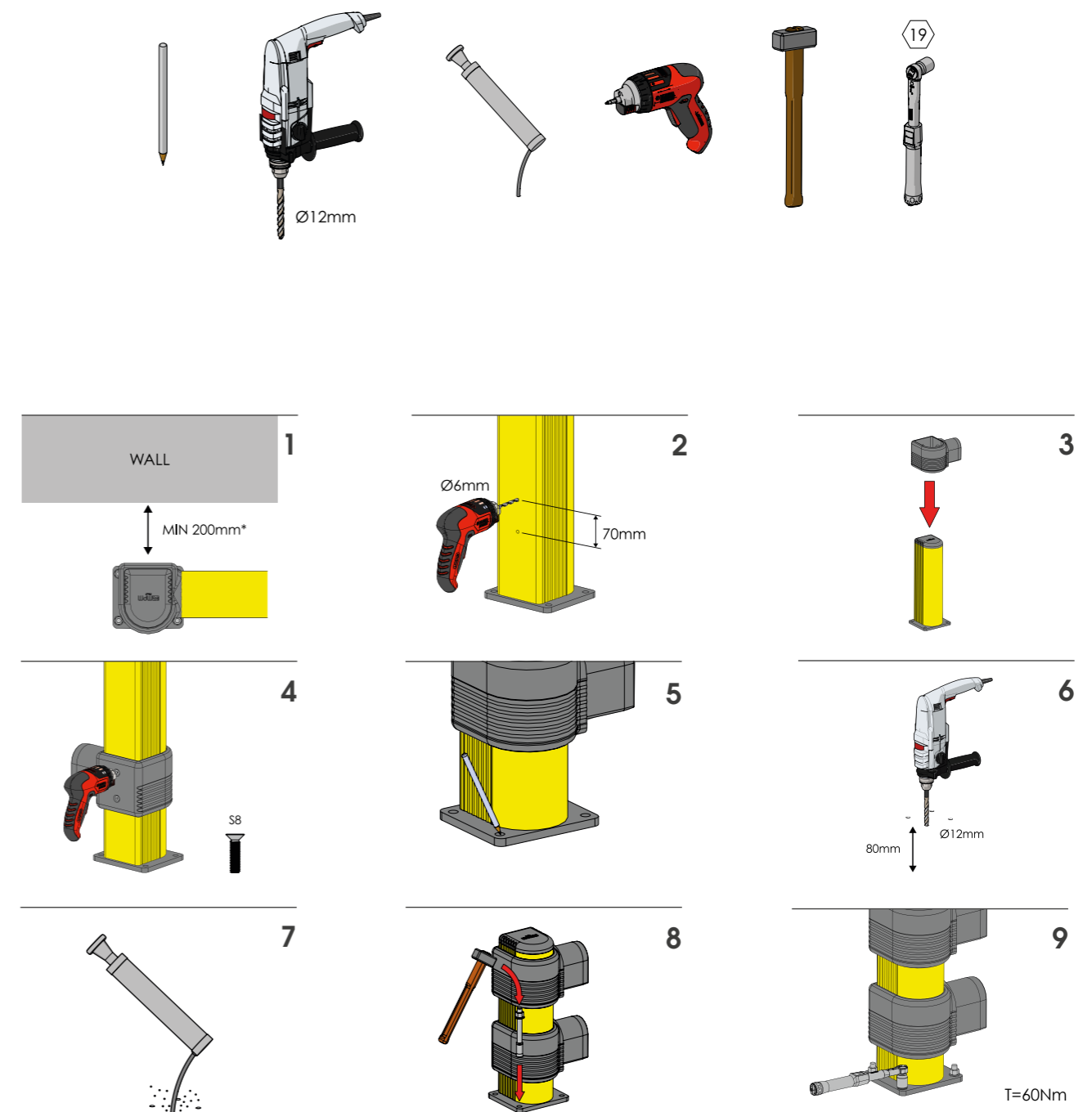
GUARD RAIL A DOPPIA BARRIERA REGOLABILE
ADJUSTABLE DOUBLE RAIL BARRIER



LINK LM

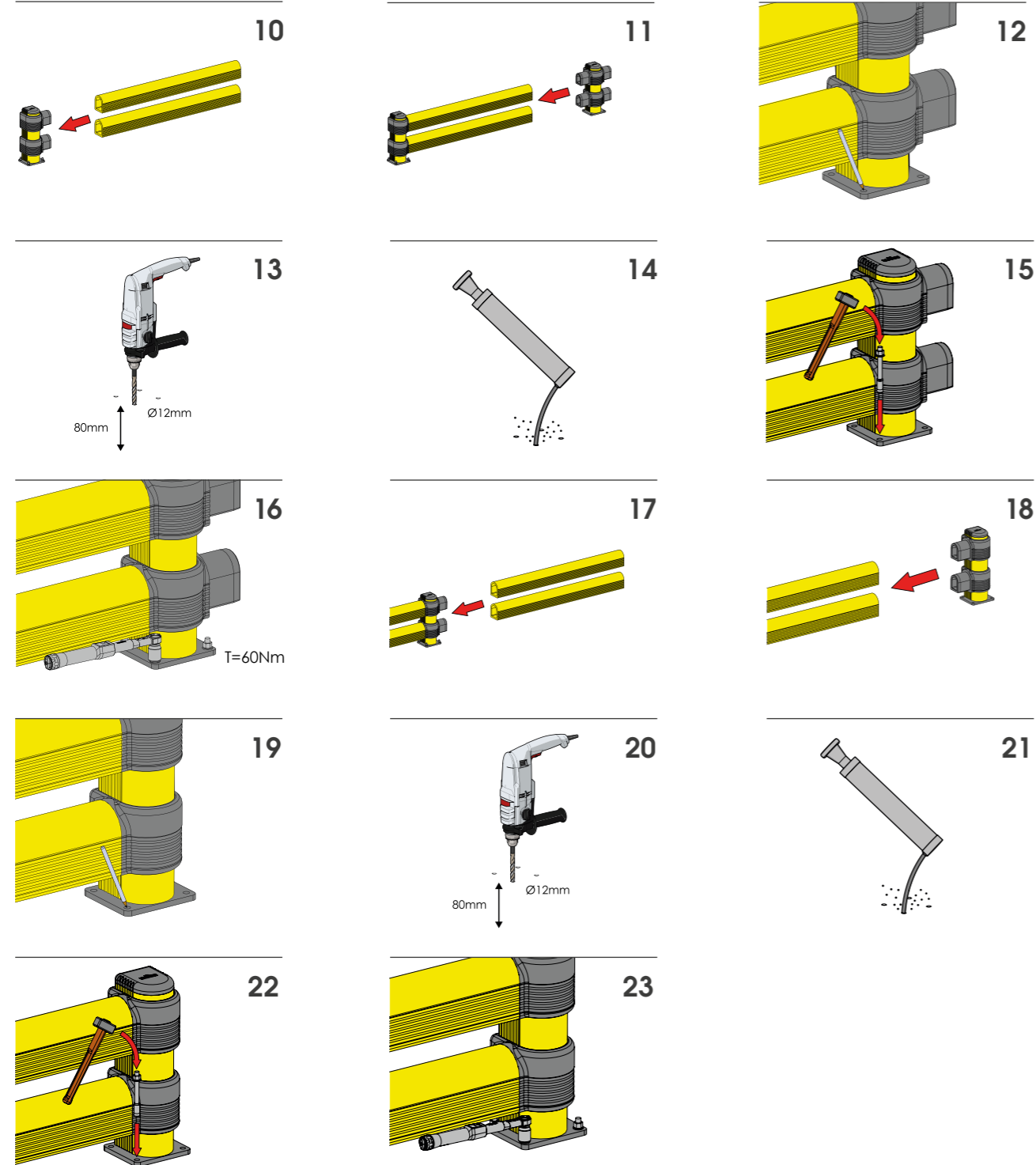
ISTRUZIONI DI INSTALLAZIONE
ASSEMBLY INSTRUCTIONS

WARNING | The distance of installation depends on speed and weight of vehicle
| The product is equipped with screws M8



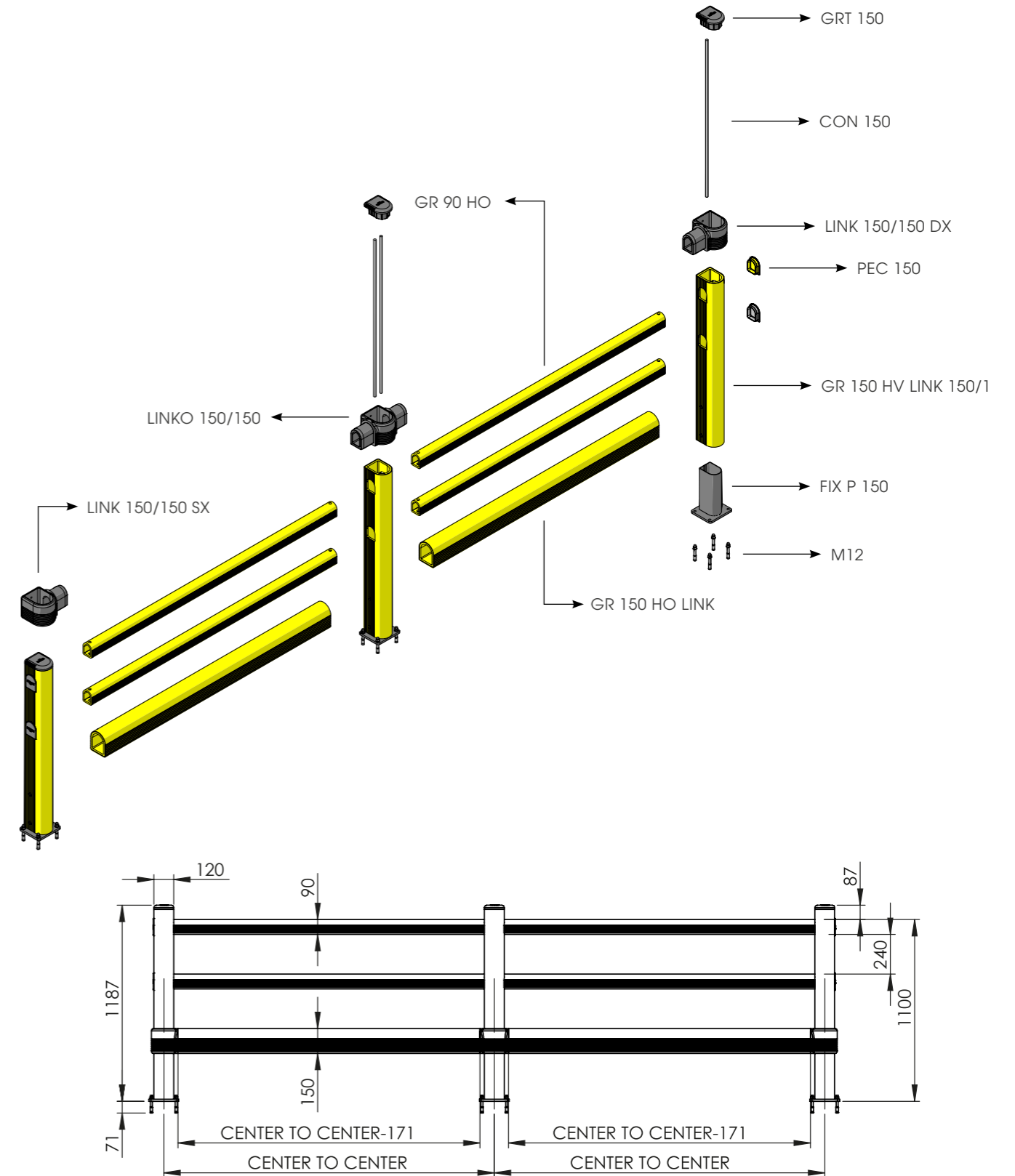
LINK LM

ISTRUZIONI DI INSTALLAZIONE
ASSEMBLY INSTRUCTIONS



LINK 150/1

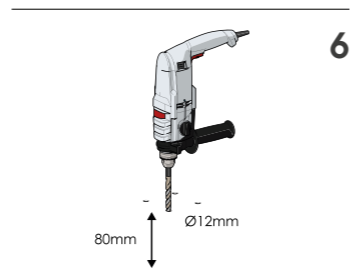
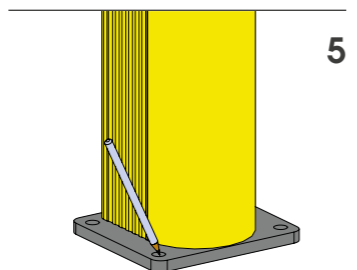
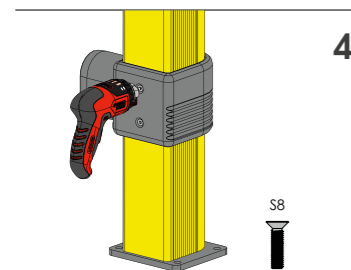
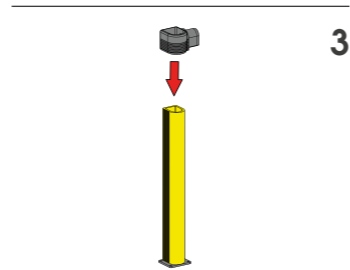
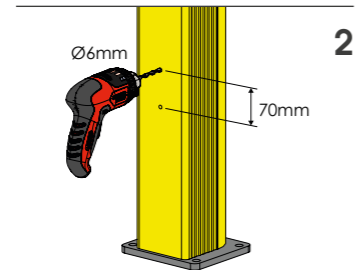
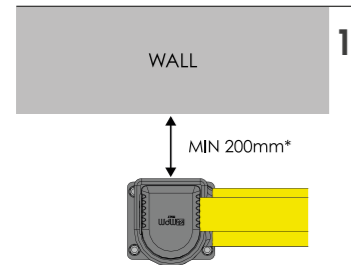
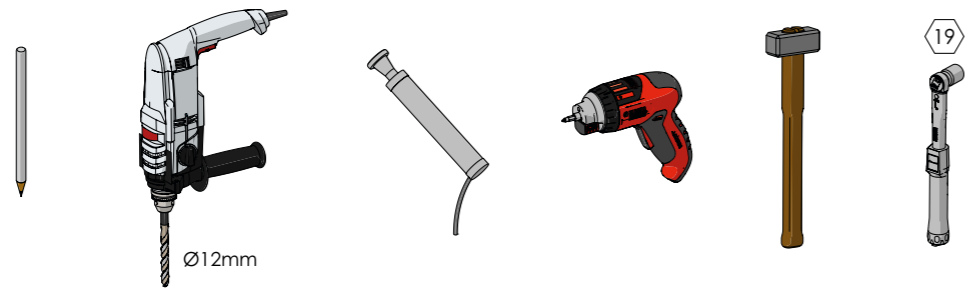
BARRIERA DI SICUREZZA REGOLABILE
ADJUSTABLE SAFETY BARRIER



LINK 150/1

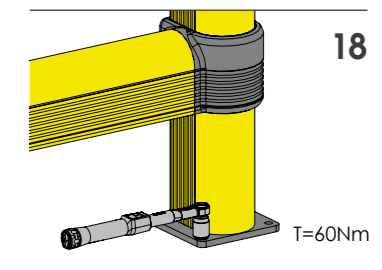
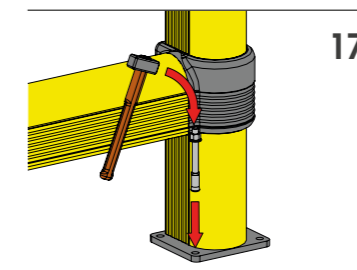
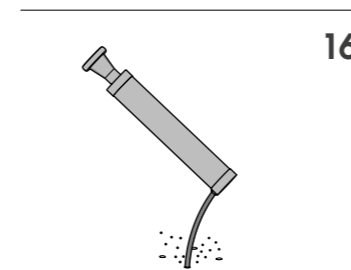
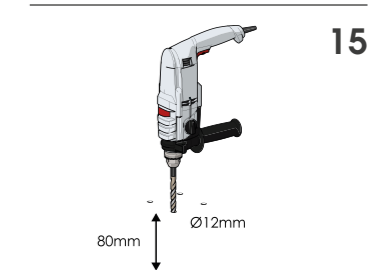
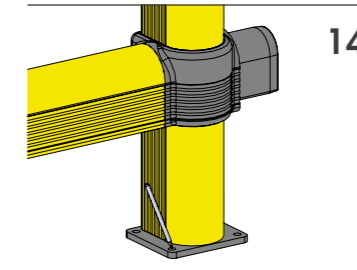
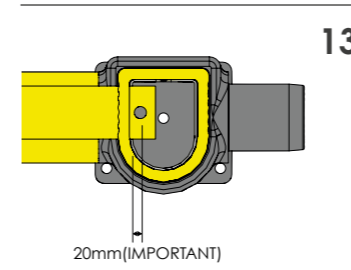
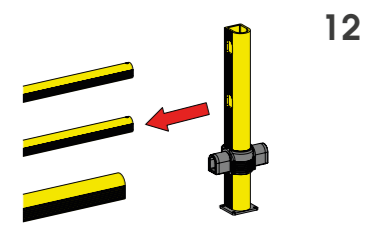
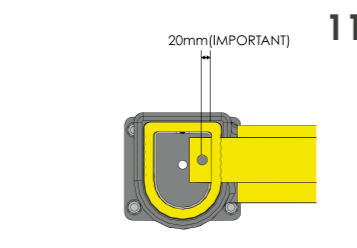
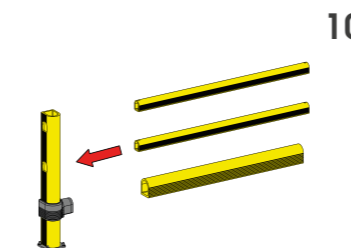
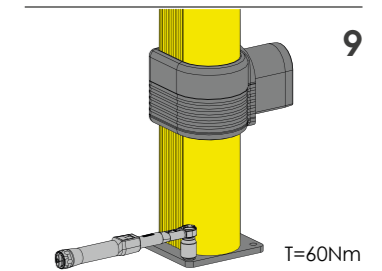
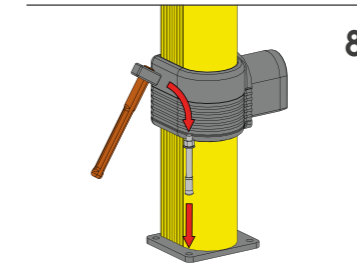
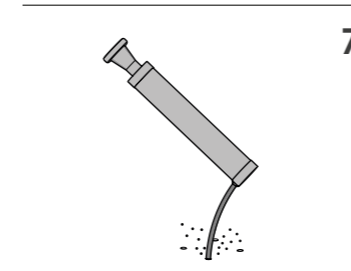
ISTRUZIONI DI INSTALLAZIONE
ASSEMBLY INSTRUCTIONS

WARNING | The distance of installation depends on speed and weight of vehicle
| The product is equipped with screws M8



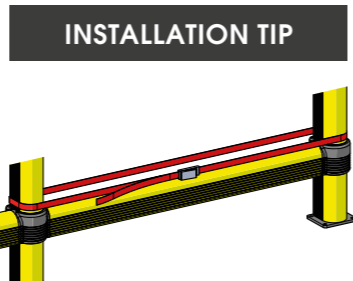
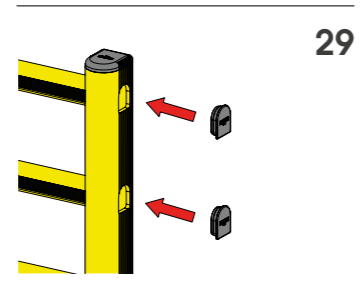
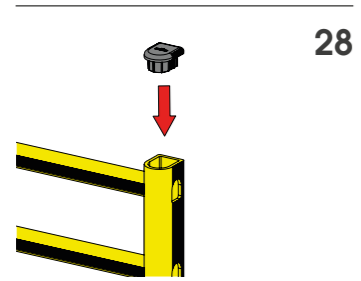
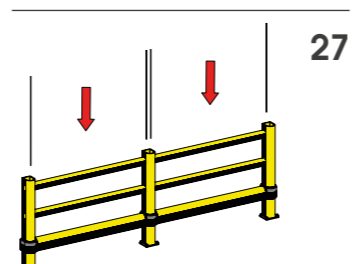
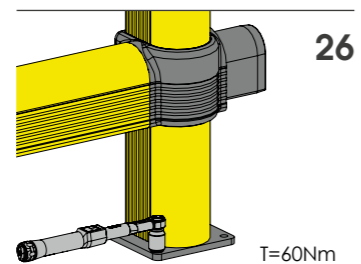
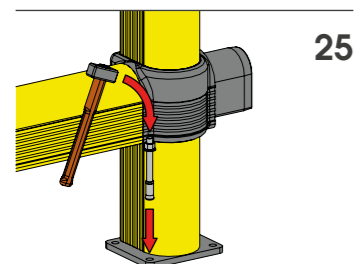
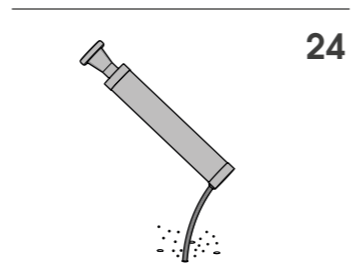
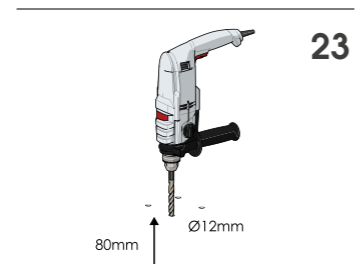
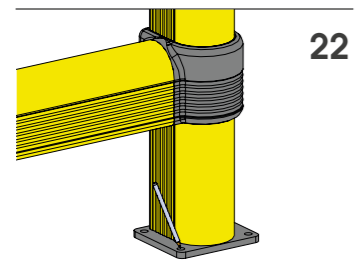
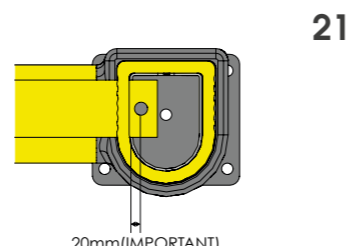
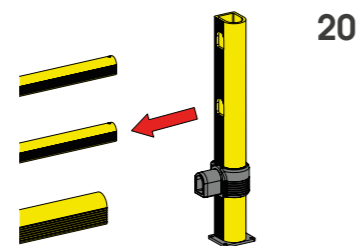
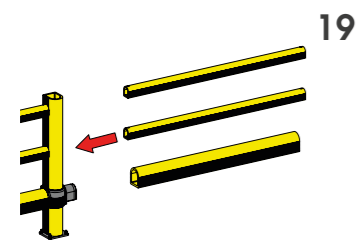
LINK 150/1

ISTRUZIONI DI INSTALLAZIONE
ASSEMBLY INSTRUCTIONS



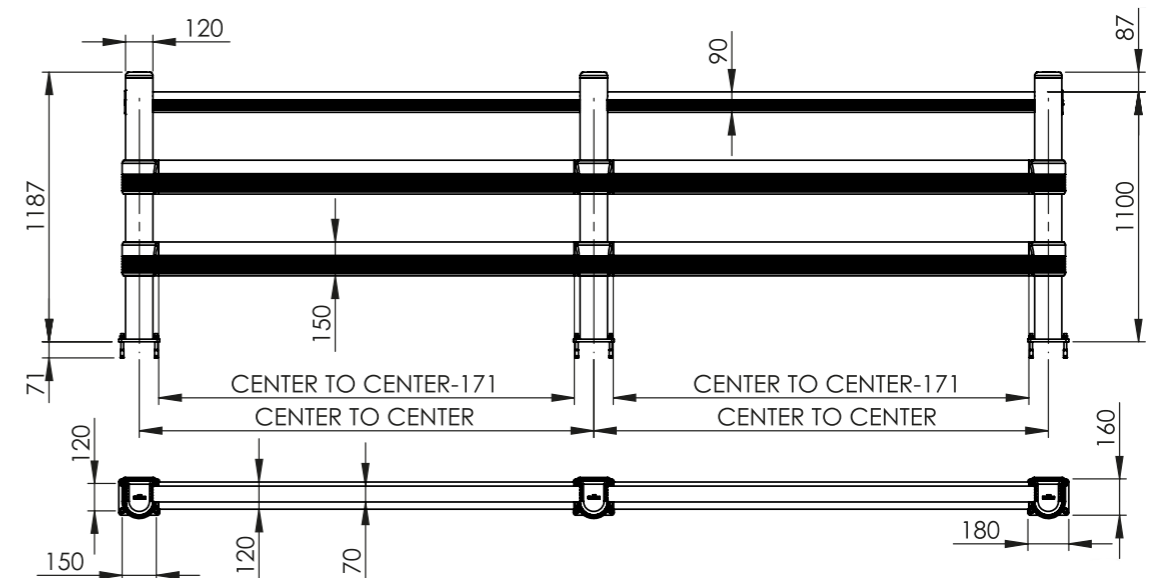
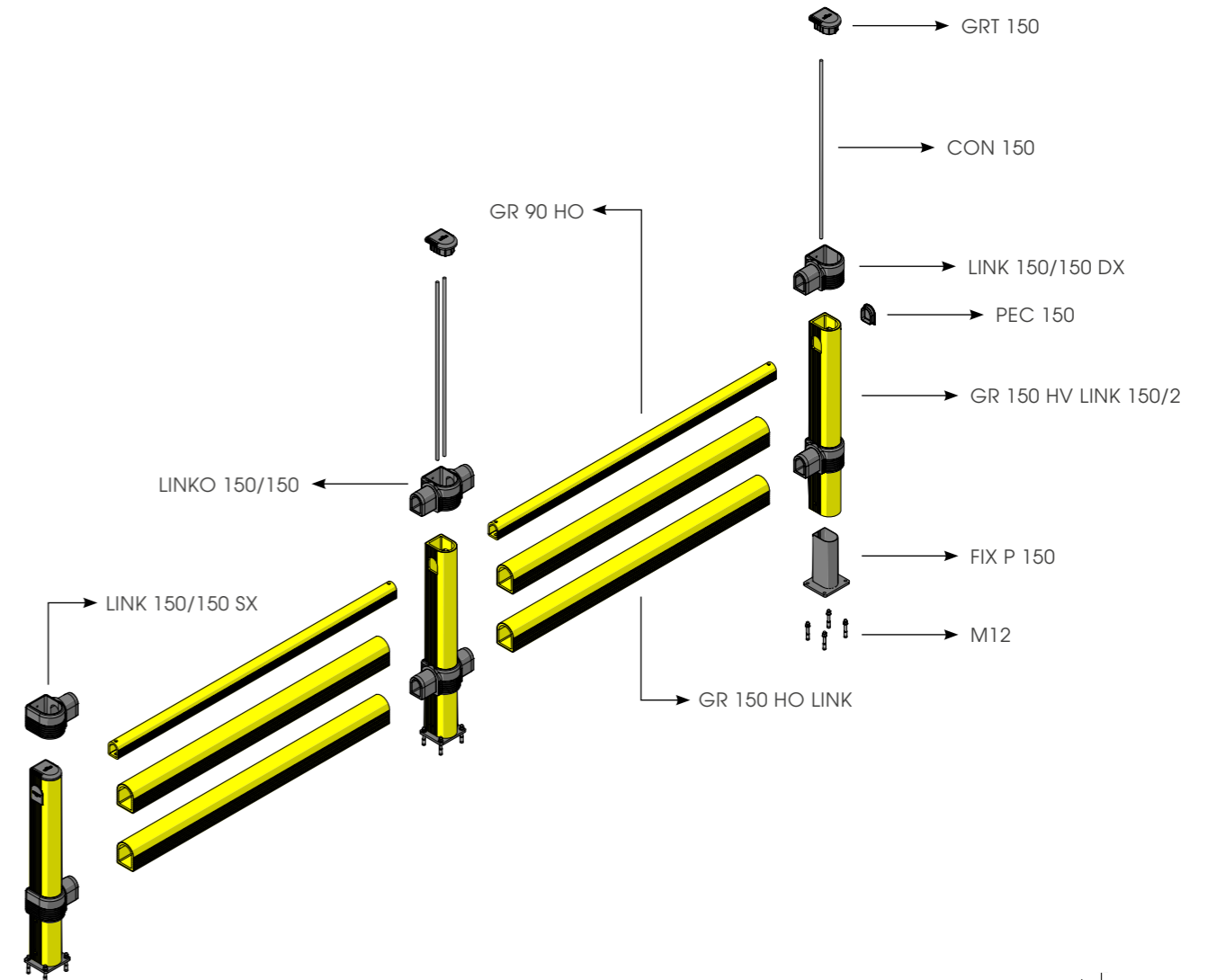
LINK 150/1

ISTRUZIONI DI INSTALLAZIONE
ASSEMBLY INSTRUCTIONS



LINK 150/2

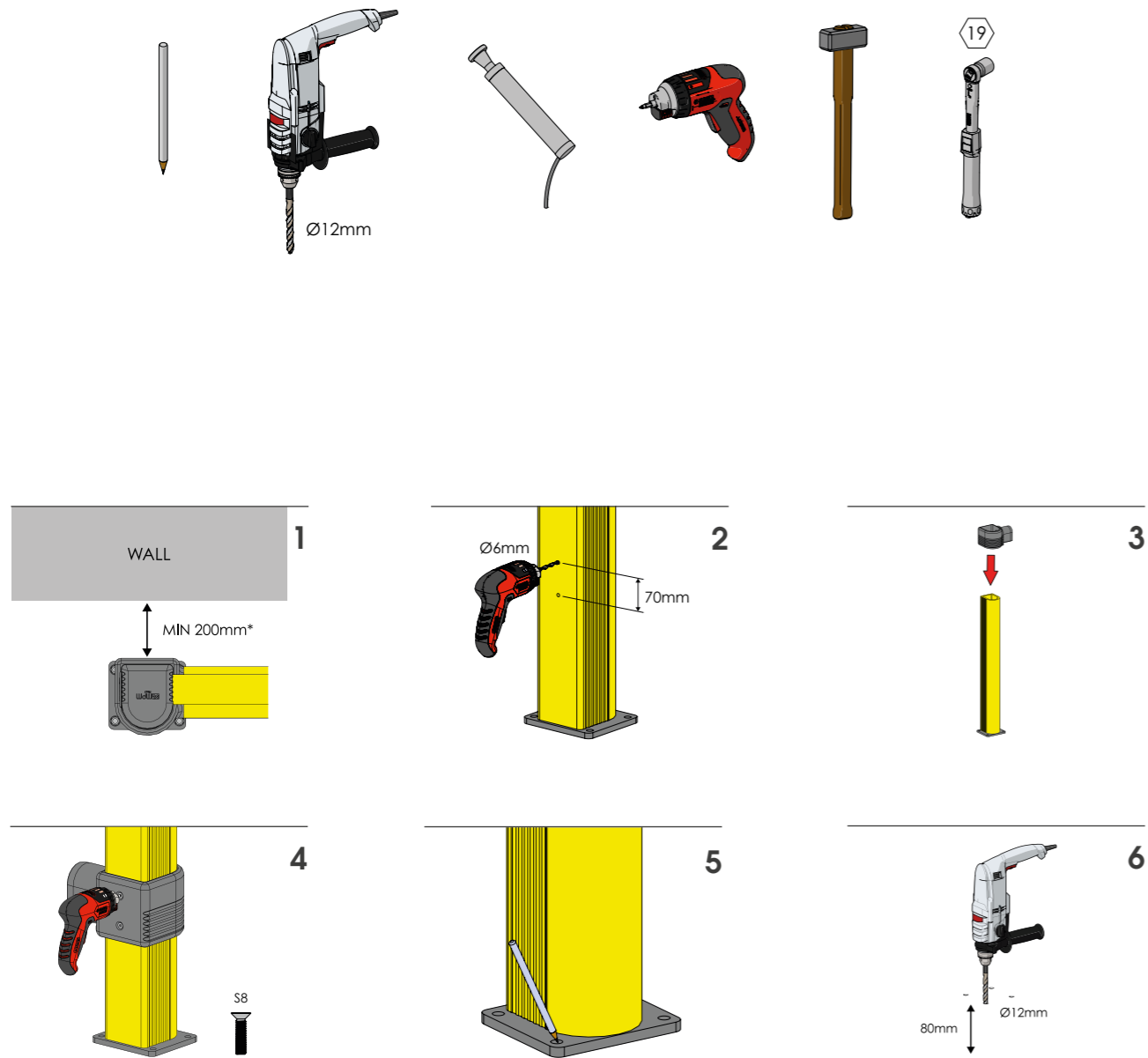
BARRIERA DI SICUREZZA REGOLABILE
ADJUSTABLE SAFETY BARRIER



LINK 150/2

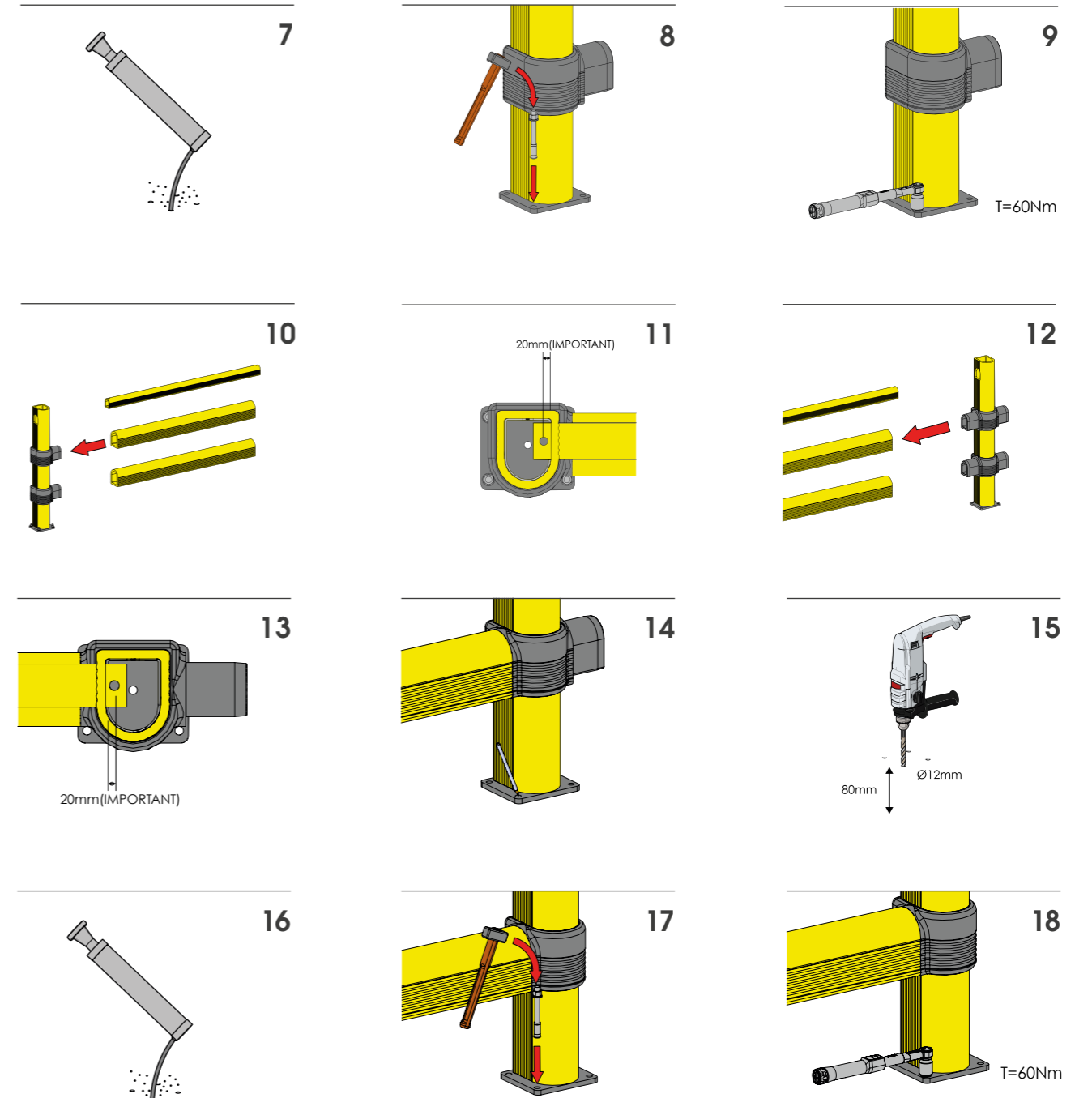
ISTRUZIONI DI INSTALLAZIONE
ASSEMBLY INSTRUCTIONS

WARNING | The distance of installation depends on speed and weight of vehicle
| The product is equipped with screws M8



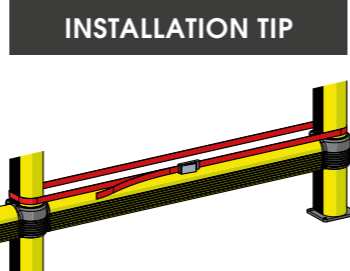
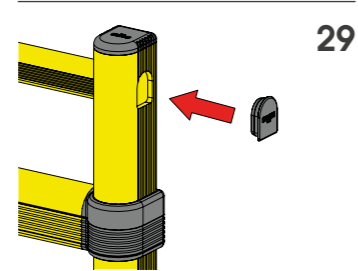
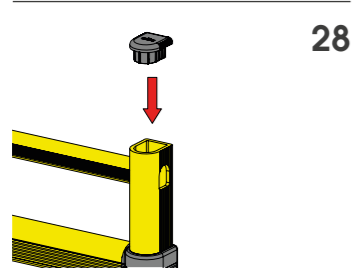
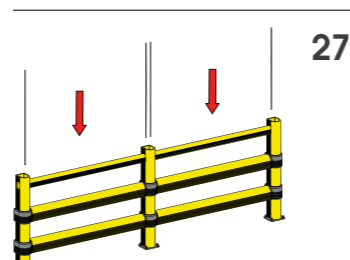
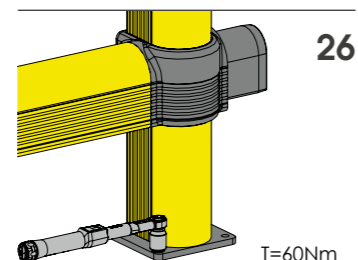
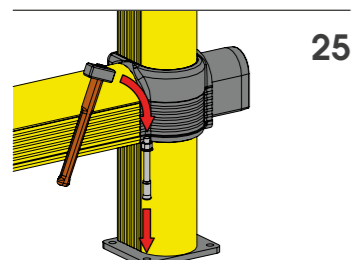
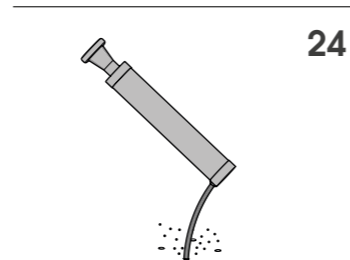
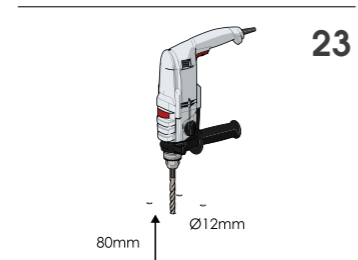
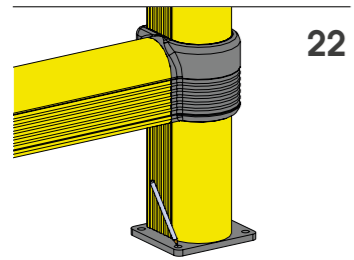
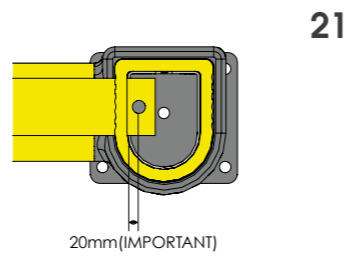
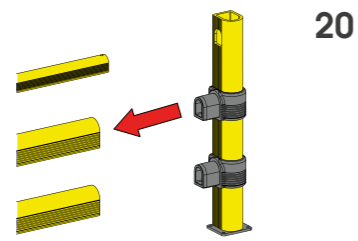
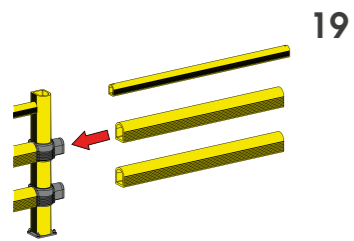
LINK 150/2

ISTRUZIONI DI INSTALLAZIONE
ASSEMBLY INSTRUCTIONS



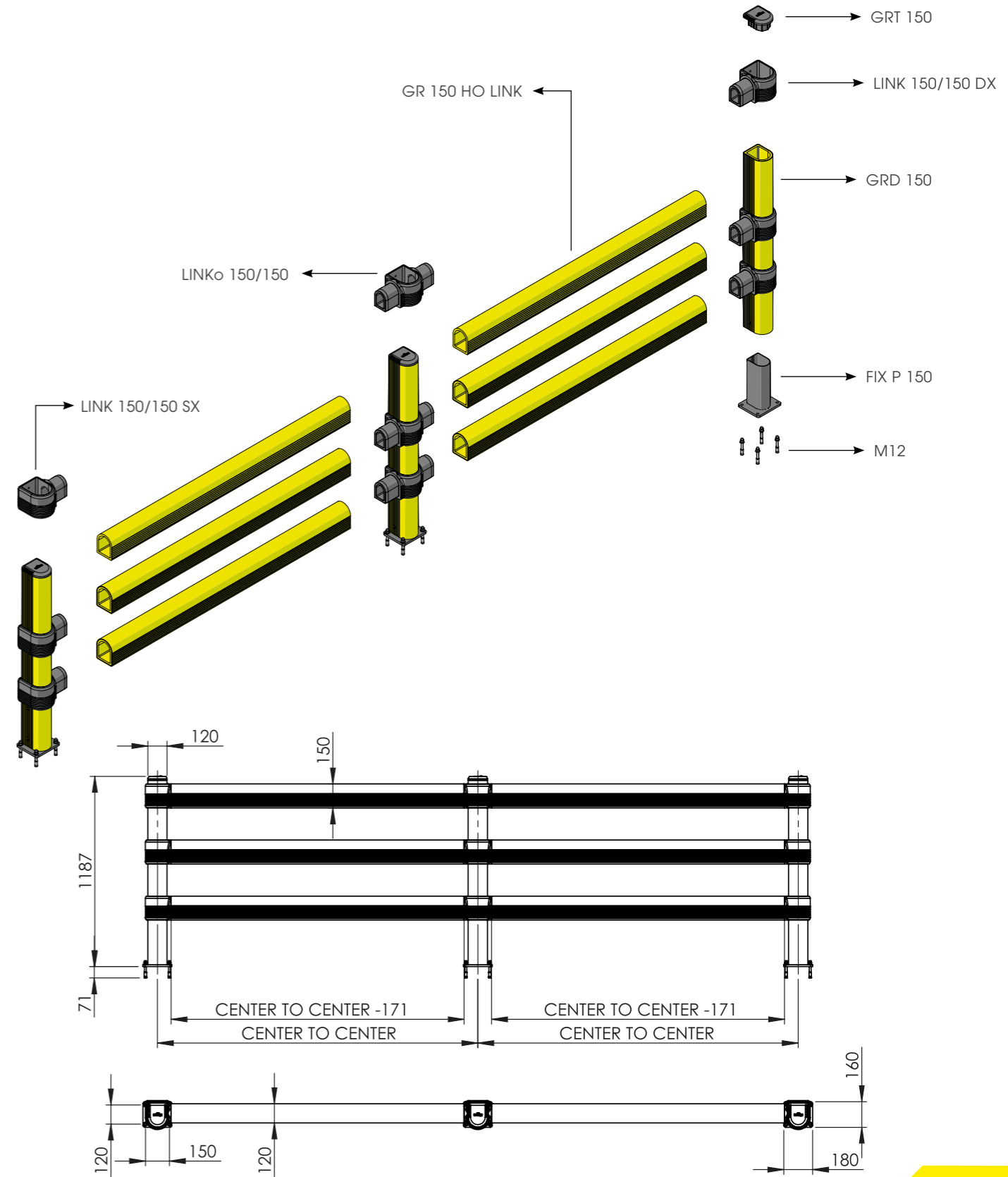
LINK 150/2

ISTRUZIONI DI INSTALLAZIONE
ASSEMBLY INSTRUCTIONS



LINK 150/3

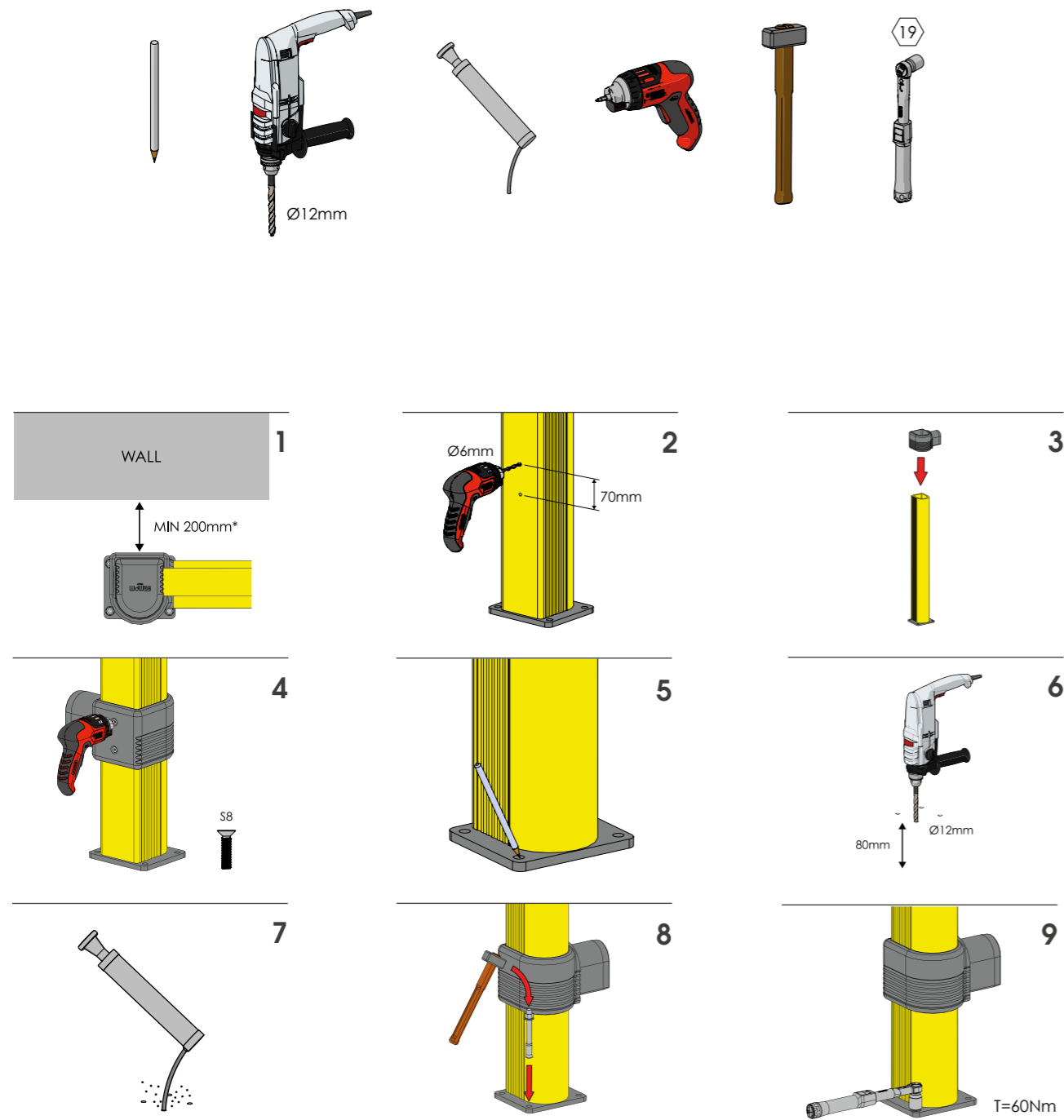
BARRIERA DI SICUREZZA REGOLABILE
ADJUSTABLE SAFETY BARRIER



LINK 150/3

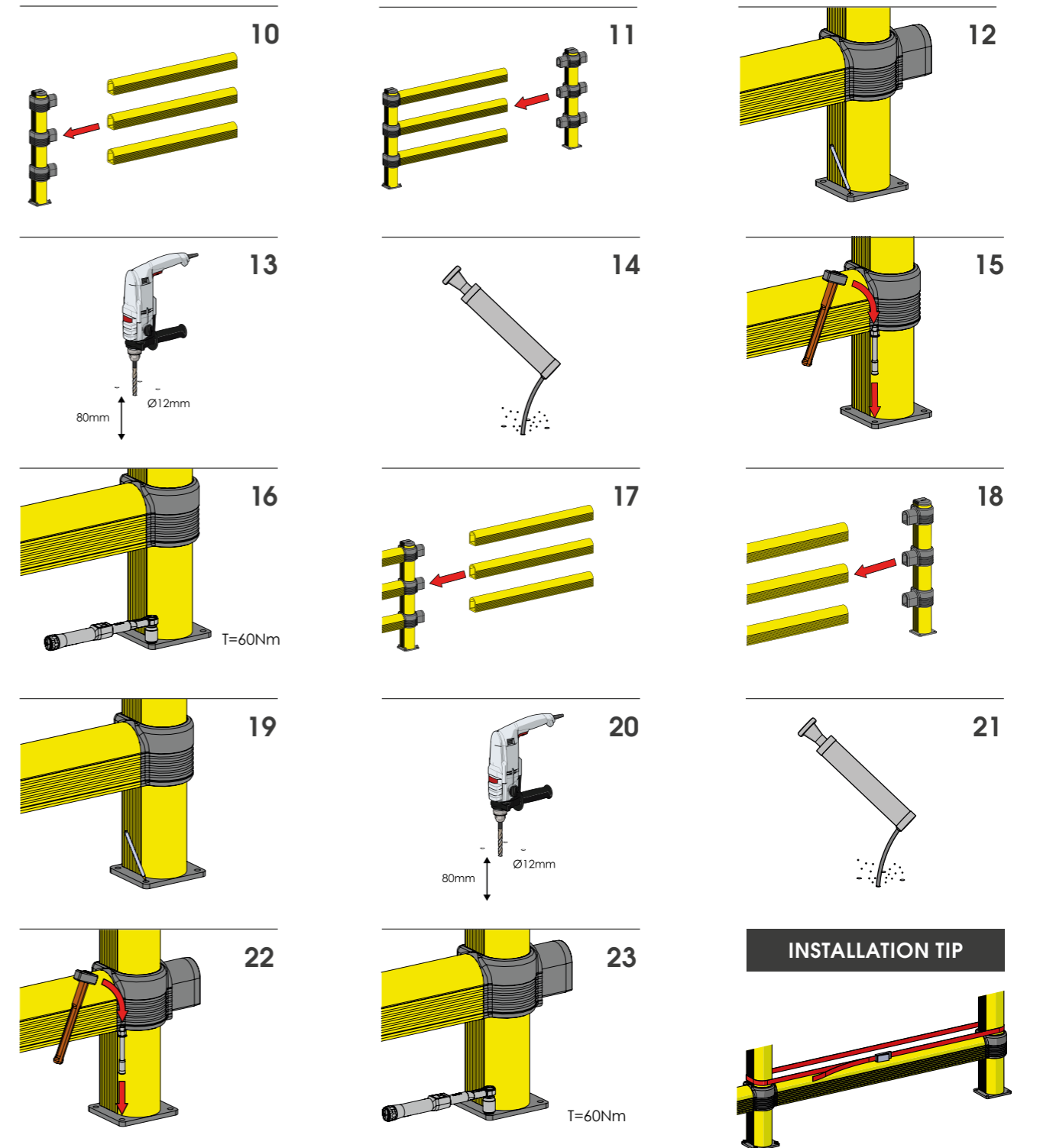
ISTRUZIONI DI INSTALLAZIONE
ASSEMBLY INSTRUCTIONS

WARNING | The distance of installation depends on speed and weight of vehicle
| The product is equipped with screws M8



LINK 150/3

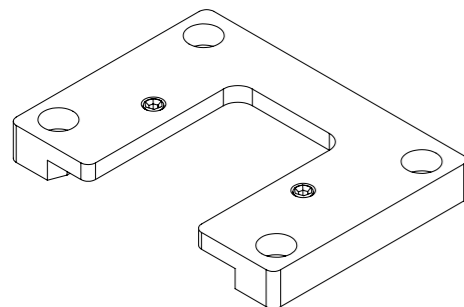
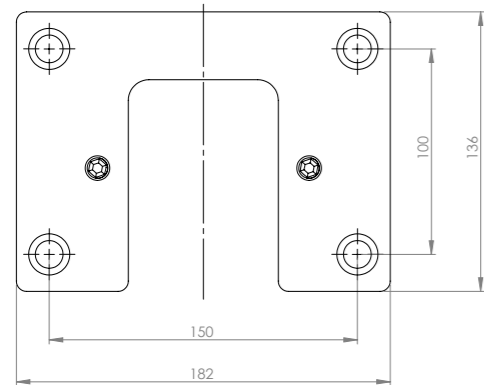
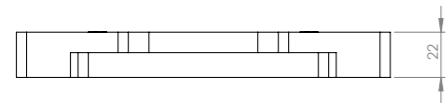
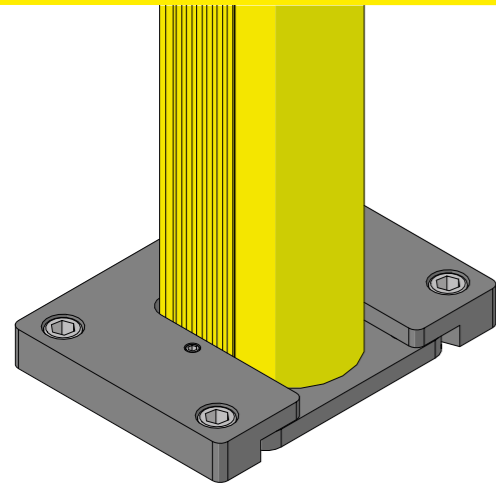
ISTRUZIONI DI INSTALLAZIONE
ASSEMBLY INSTRUCTIONS



REMOVABLE SAFETY BARRIERS

PIASTRA REMOVIBILE PER SISTEMI 90
REMOVABLE PLATES FOR 90 SYSTEMS

90



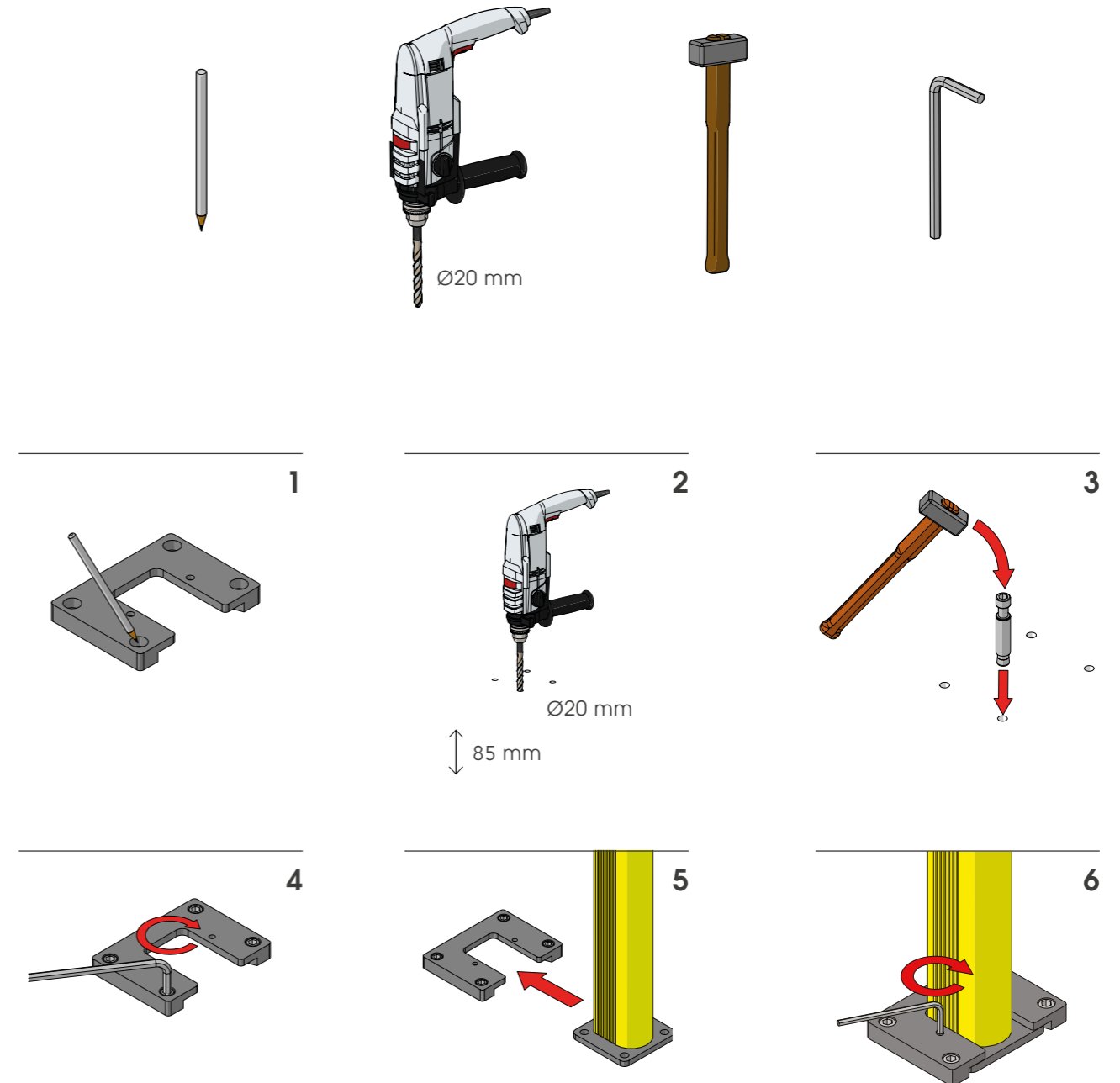
WARNING

The removable plate is supplied with special removable fixing accessories FIX RE

REMOVABLE SAFETY BARRIERS

ISTRUZIONI DI INSTALLAZIONE
ASSEMBLY INSTRUCTIONS

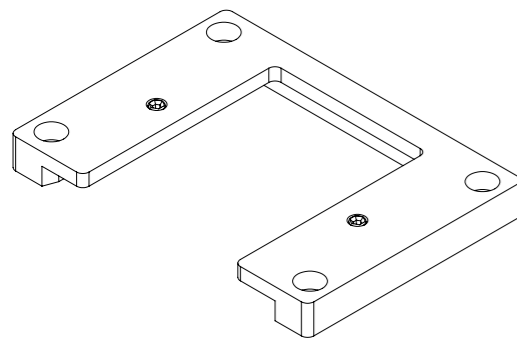
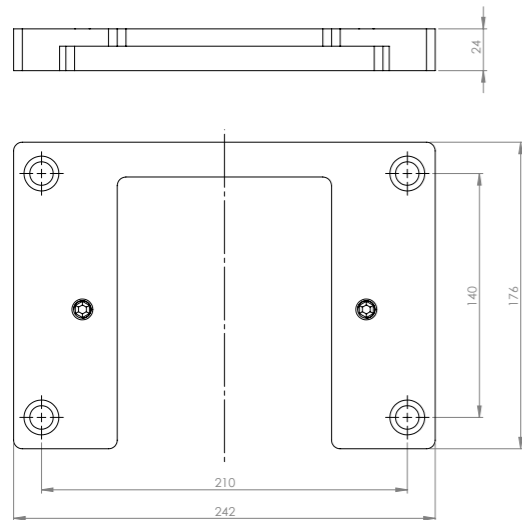
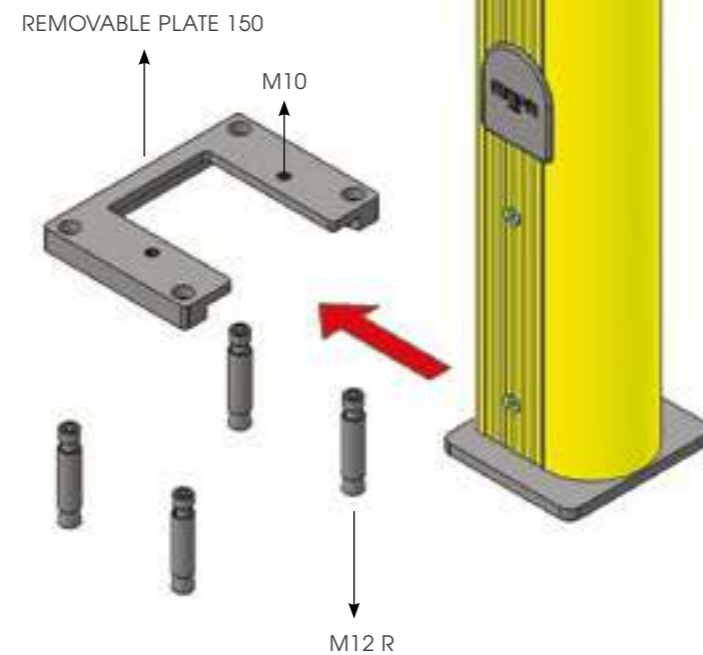
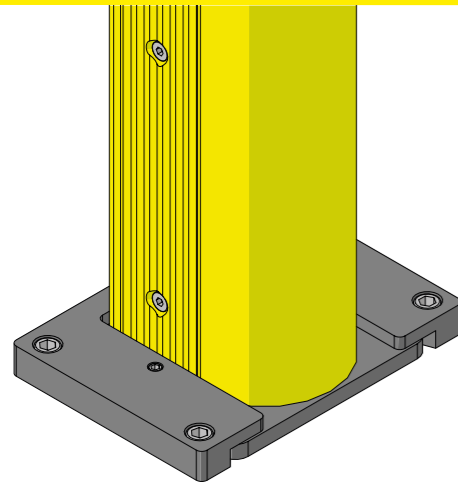
90



REMOVABLE SAFETY BARRIERS

PIASTRA REMOVIBILE PER SISTEMI 150
REMOVABLE PLATES FOR 150 SYSTEMS

150



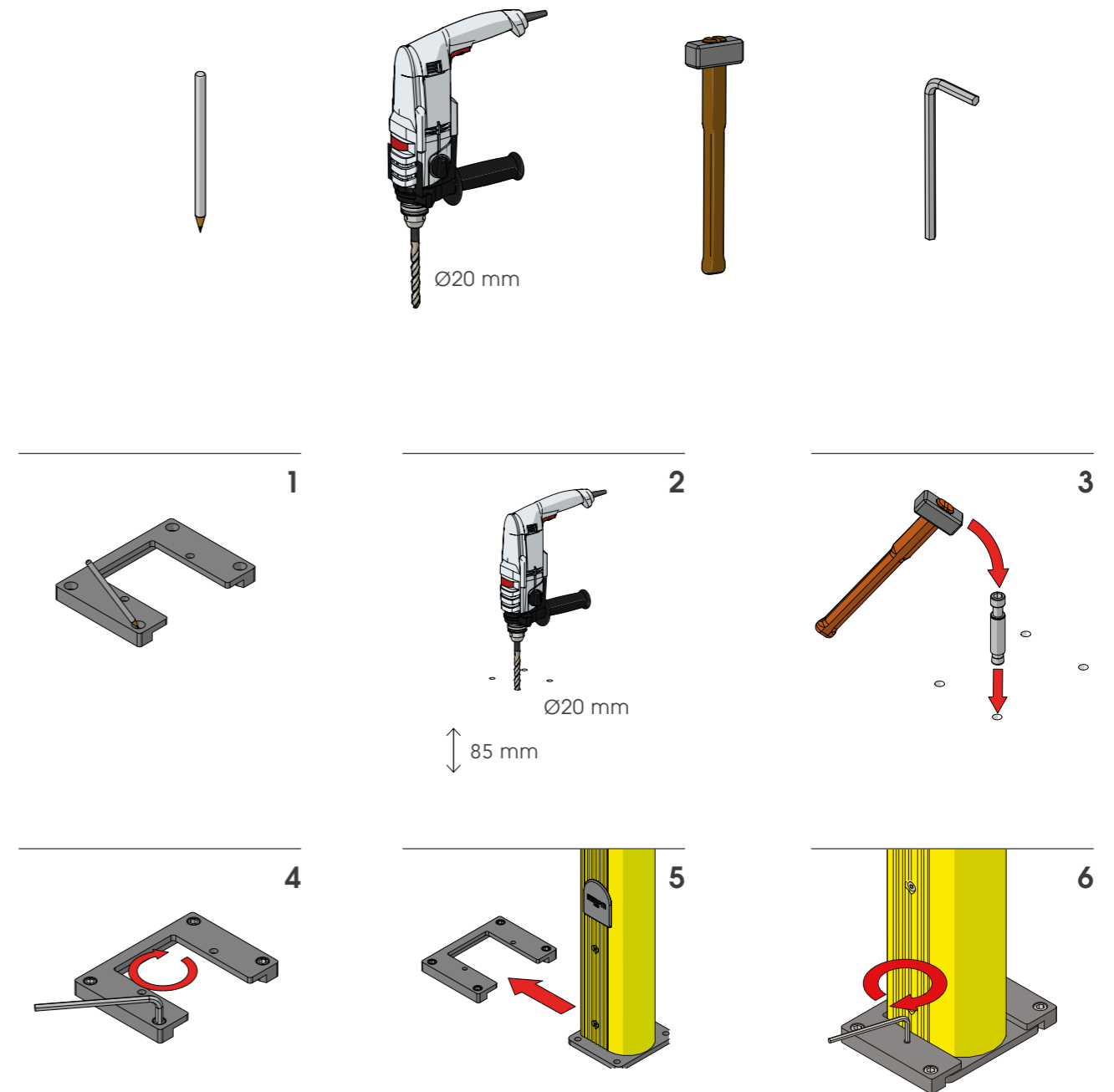
WARNING

The removable plate is supplied with special removable fixing accessories FIX RE

REMOVABLE SAFETY BARRIERS

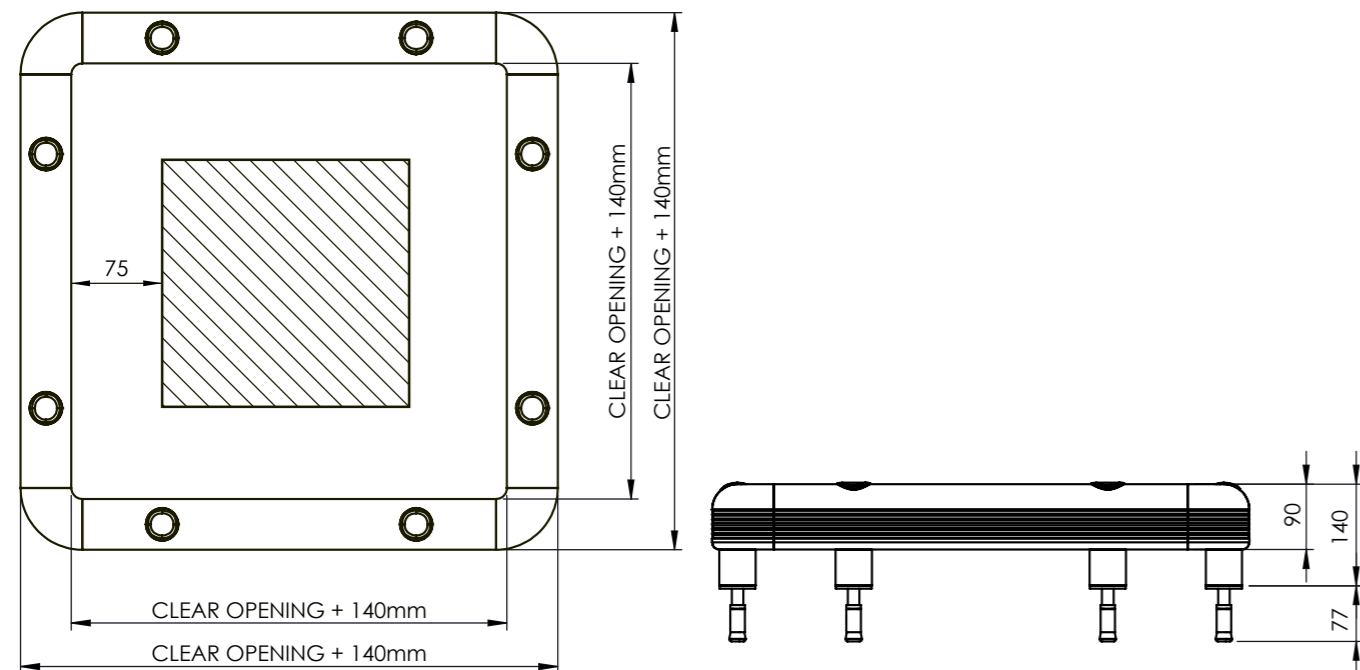
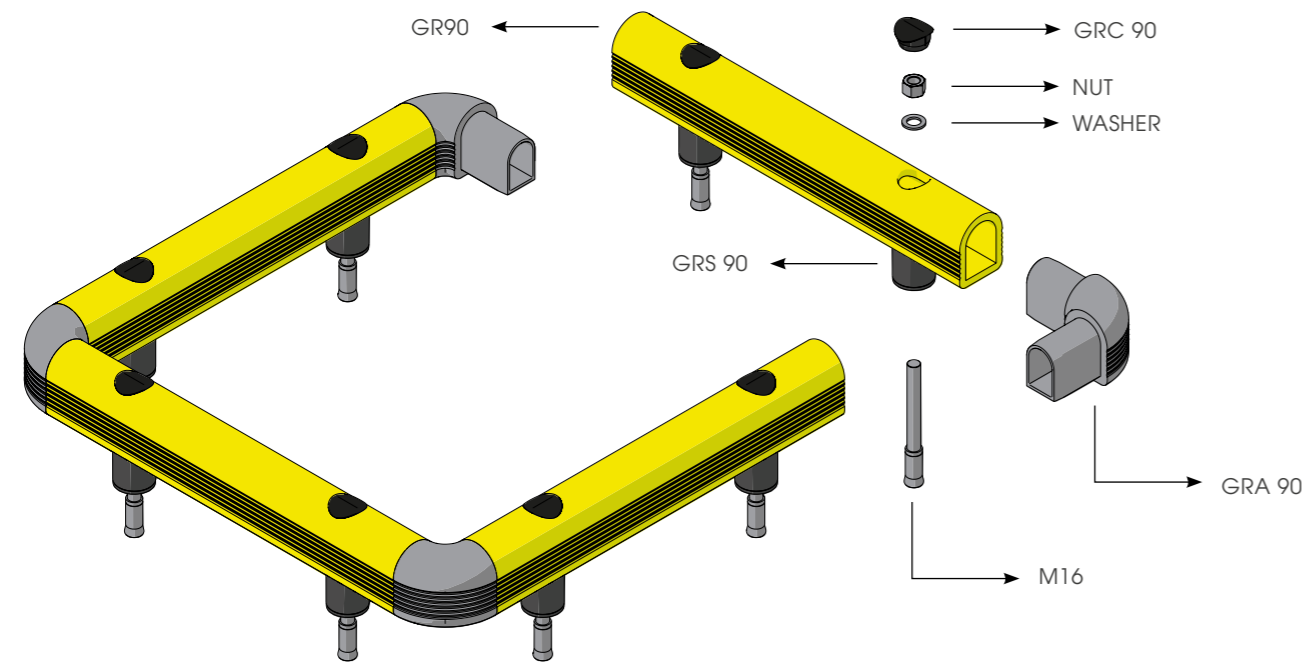
ISTRUZIONI DI INSTALLAZIONE
ASSEMBLY INSTRUCTIONS

150



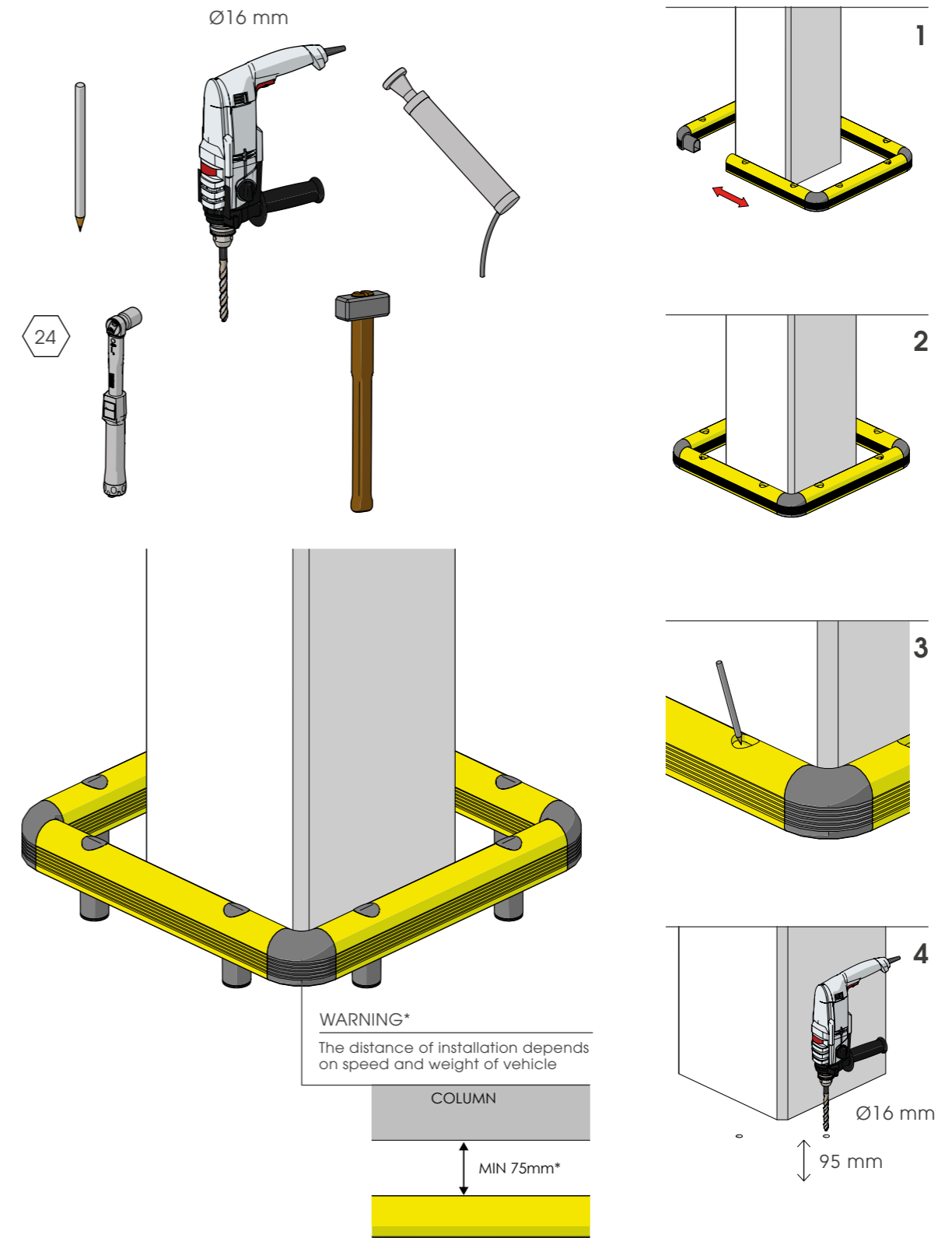
COPRO 90

PROTEZIONE COLONNA
COLUMN PROTECTION



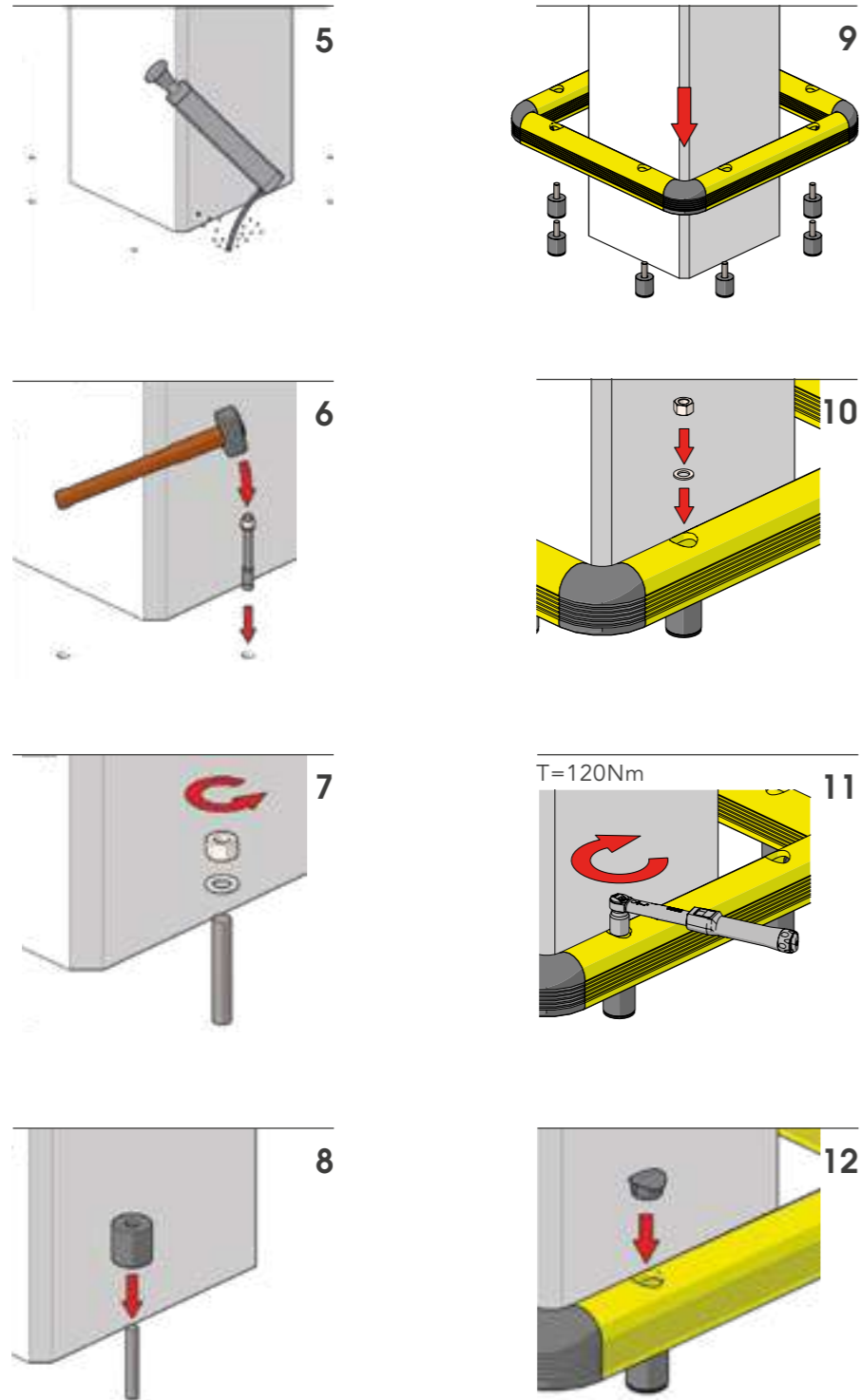
COPRO 90

ISTRUZIONI DI INSTALLAZIONE
ASSEMBLY INSTRUCTIONS



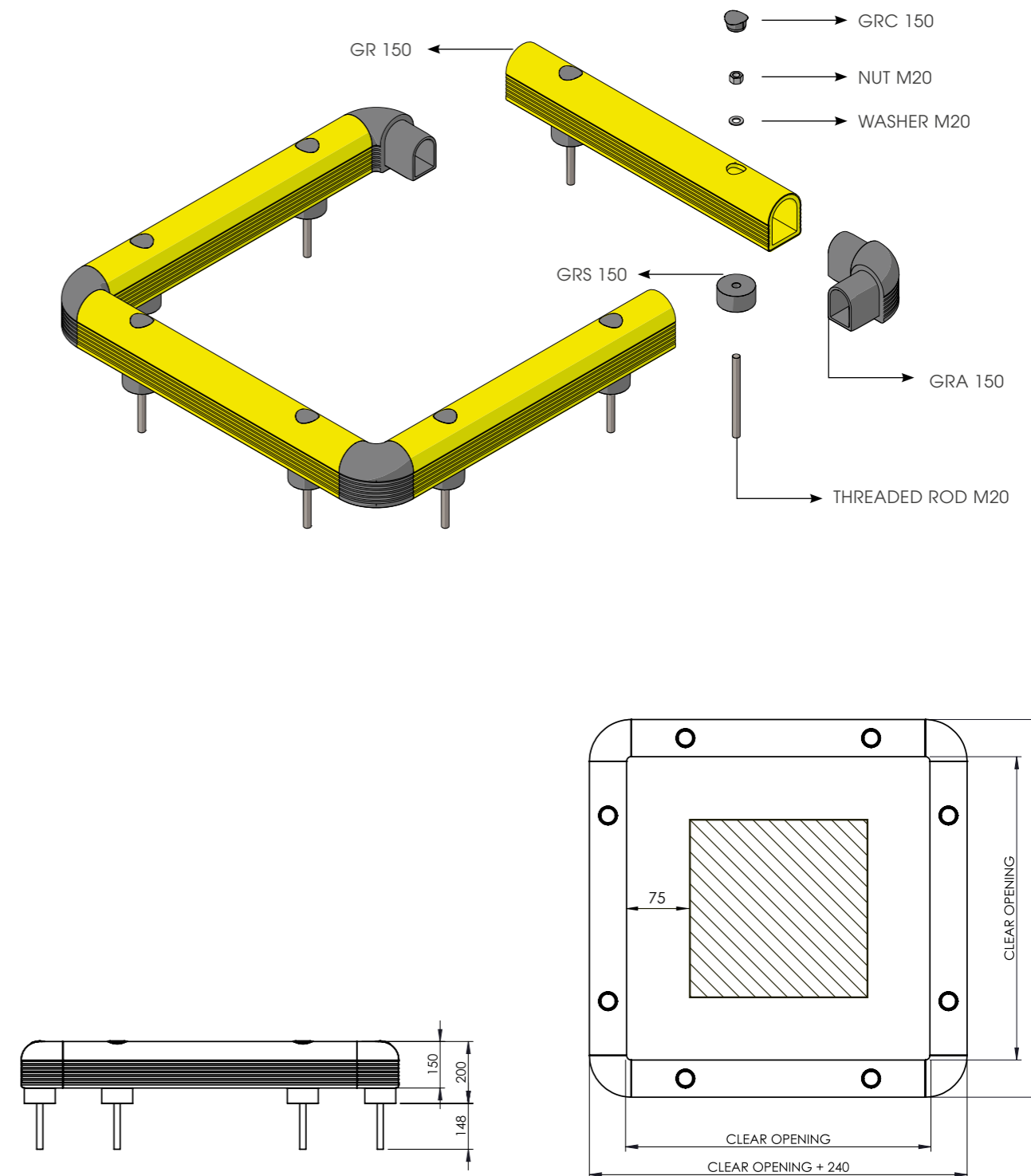
COPRO 90

ISTRUZIONI DI INSTALLAZIONE
ASSEMBLY INSTRUCTIONS



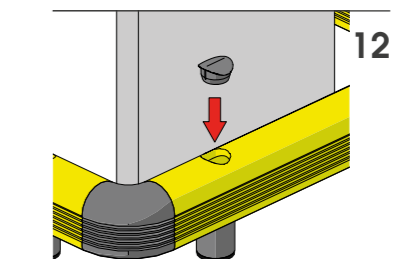
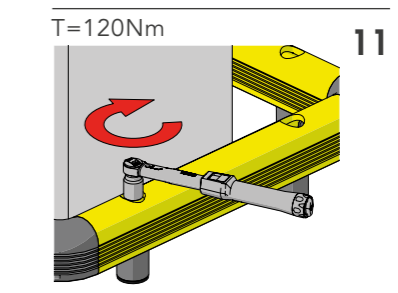
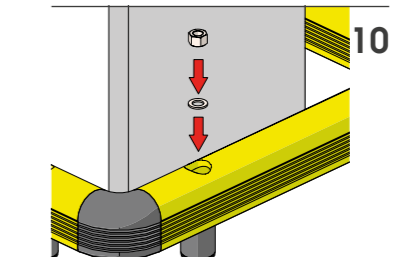
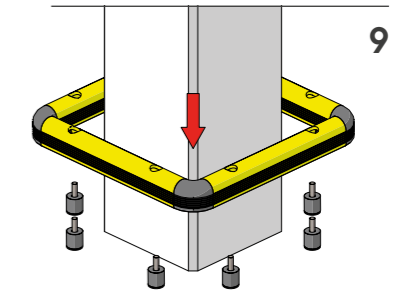
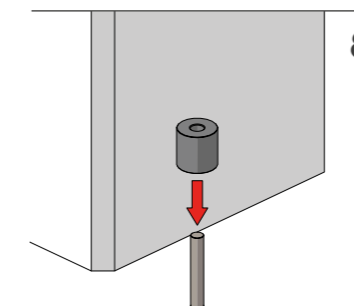
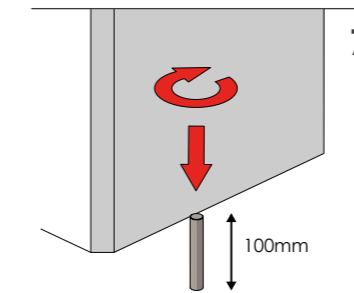
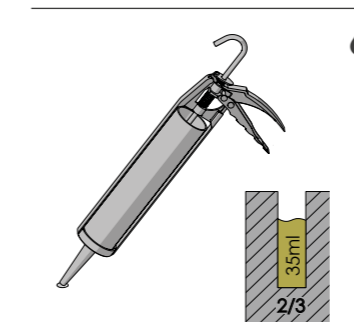
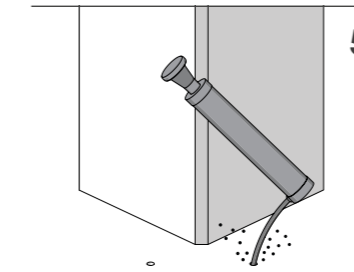
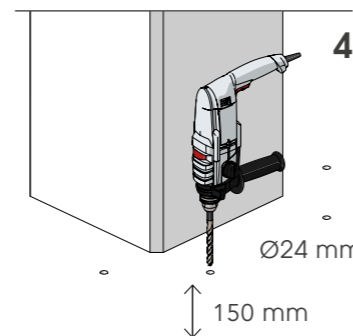
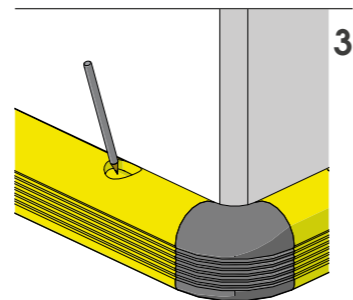
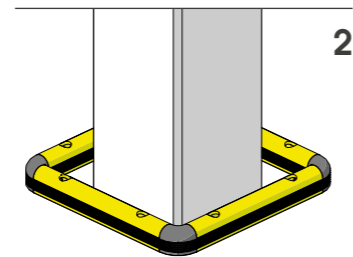
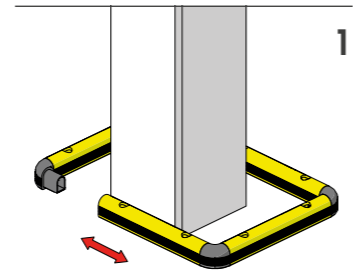
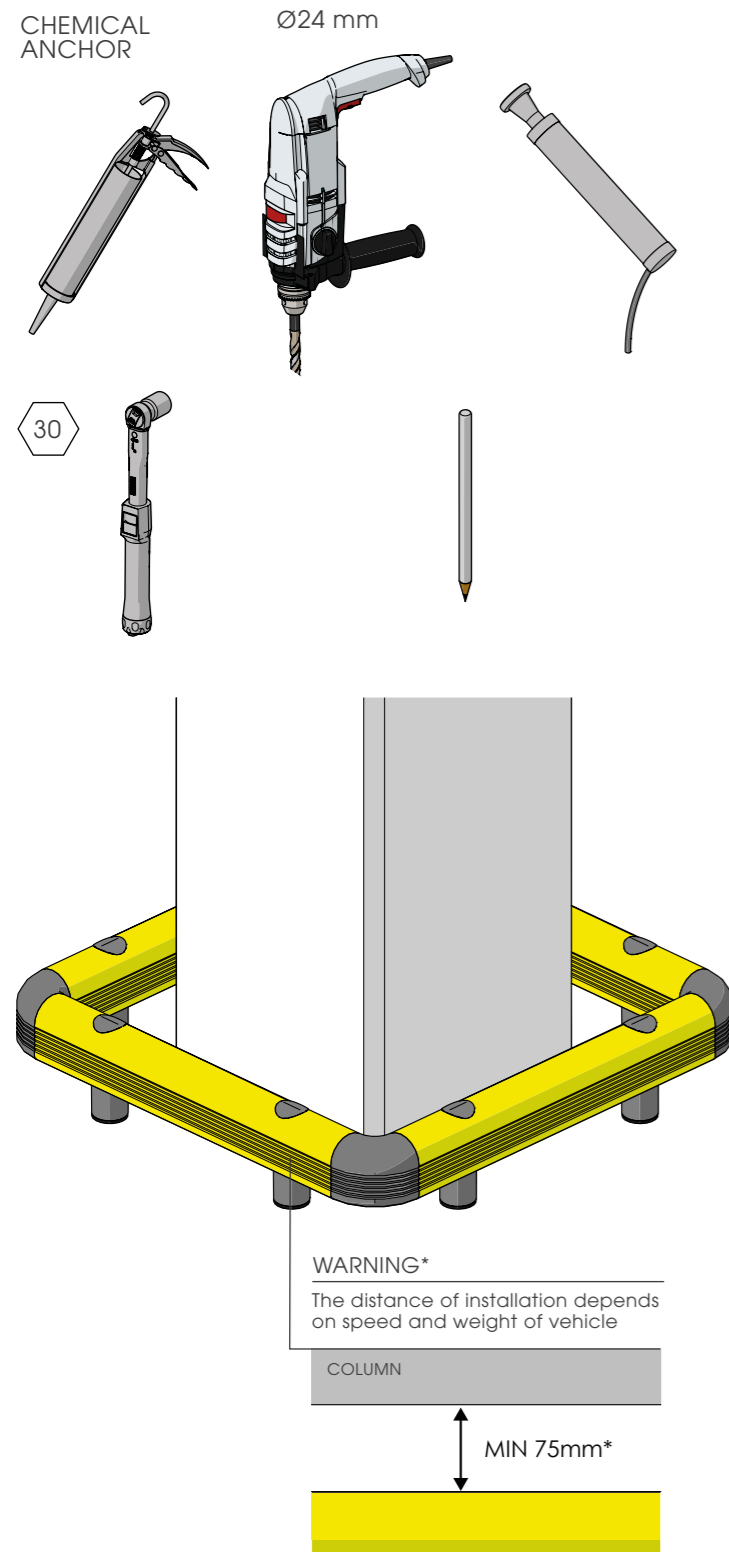
COPRO 150

PROTEZIONE COLONNA
COLUMN PROTECTION



COPRO 150

ISTRUZIONI DI INSTALLAZIONE
ASSEMBLY INSTRUCTIONS

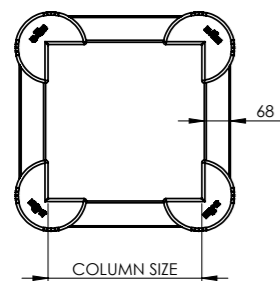
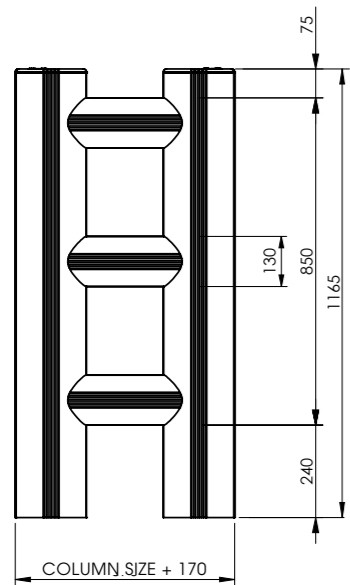
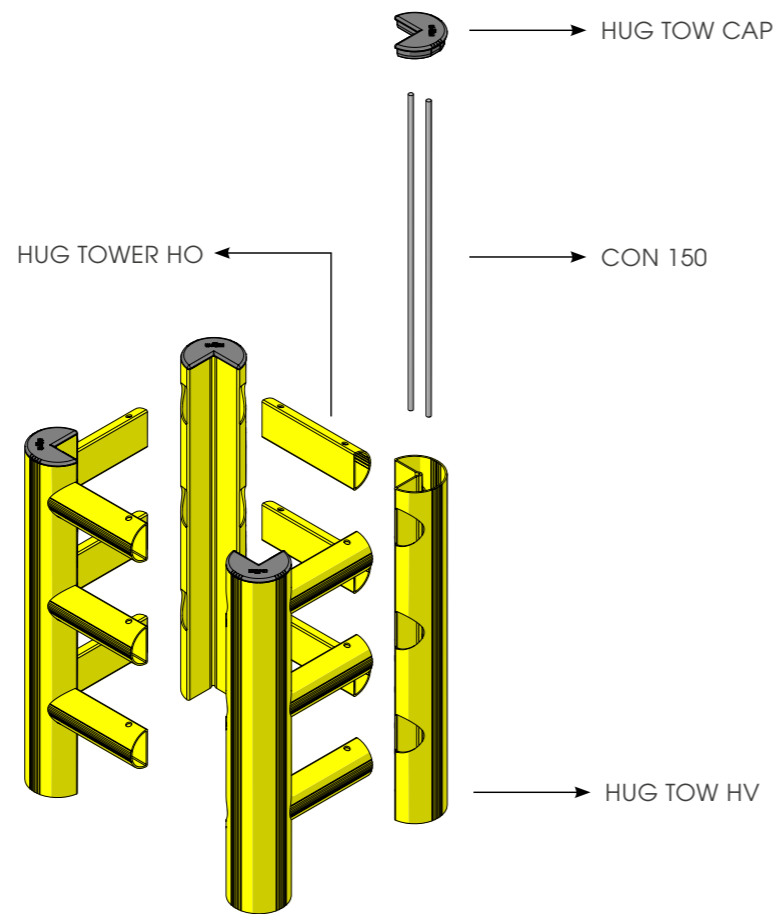


COPRO 150

ISTRUZIONI DI INSTALLAZIONE
ASSEMBLY INSTRUCTIONS

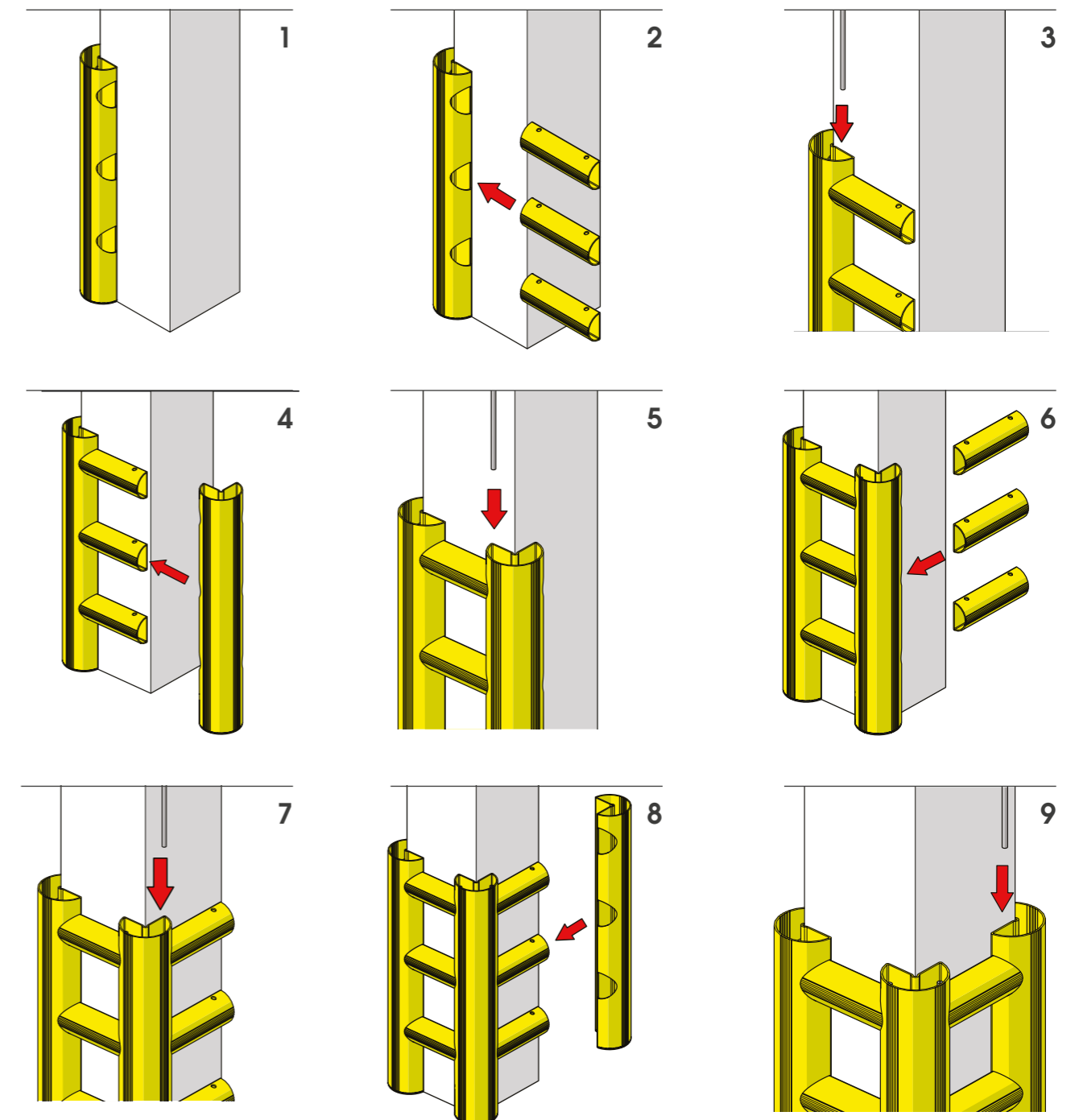
HUG TOWER

PROTEZIONE COLONNA
COLUMN PROTECTION



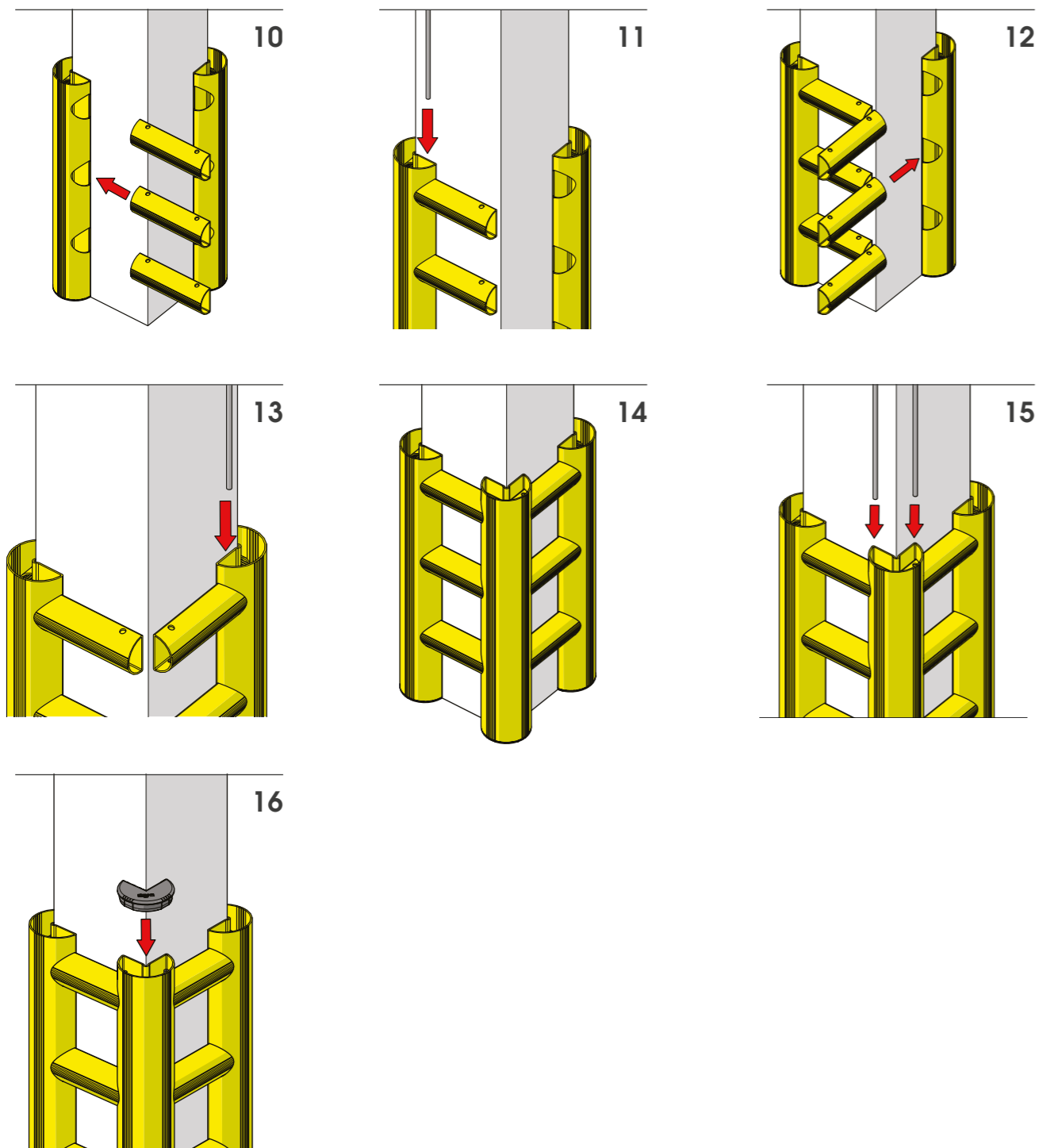
HUG TOWER

ISTRUZIONI DI INSTALLAZIONE
ASSEMBLY INSTRUCTIONS



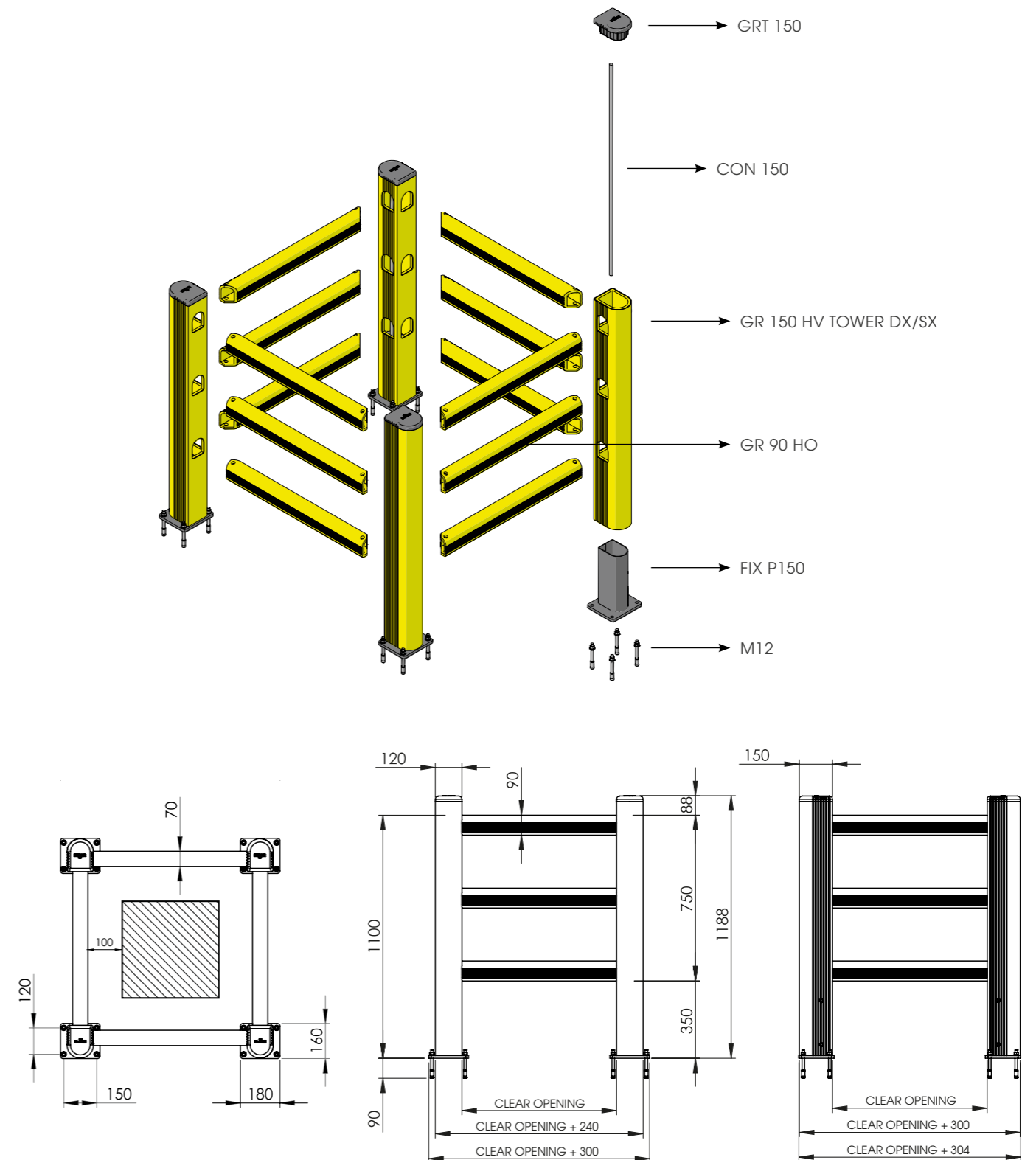
HUG TOWER

ISTRUZIONI DI INSTALLAZIONE
ASSEMBLY INSTRUCTIONS



TOWER

PROTEZIONE COLONNA
COLUMN PROTECTION



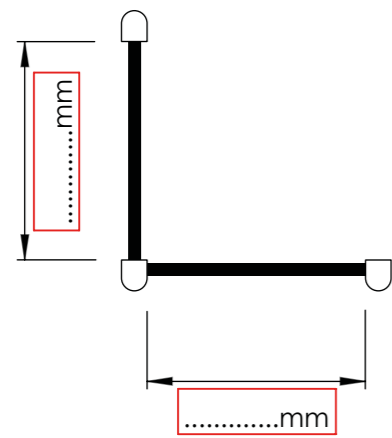
TOWER

PROTEZIONE COLONNA
COLUMN PROTECTION

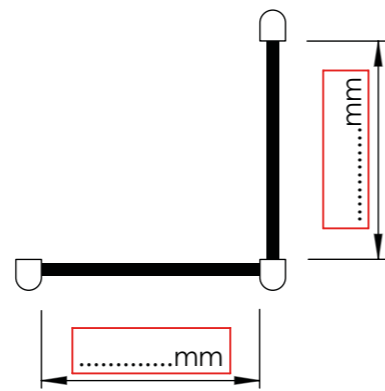
PLEASE CHECK HERE BELOW
OTHER OPTIONS FOR ASSEMBLY

TWO SIDES OPEN

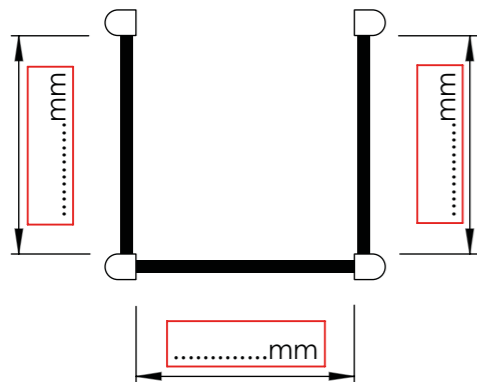
A



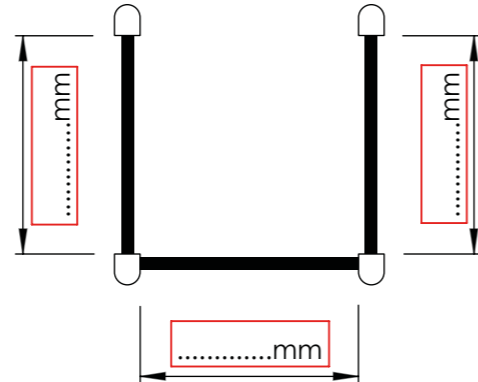
B



ONE SIDE OPEN



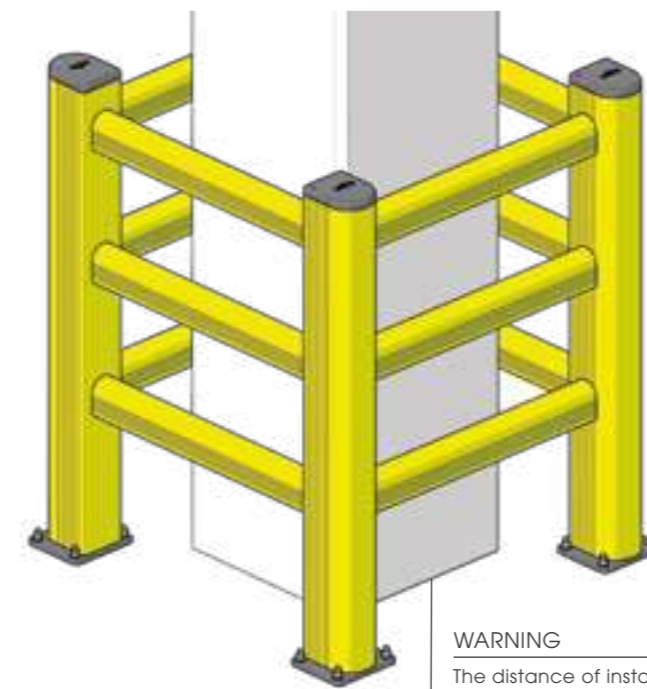
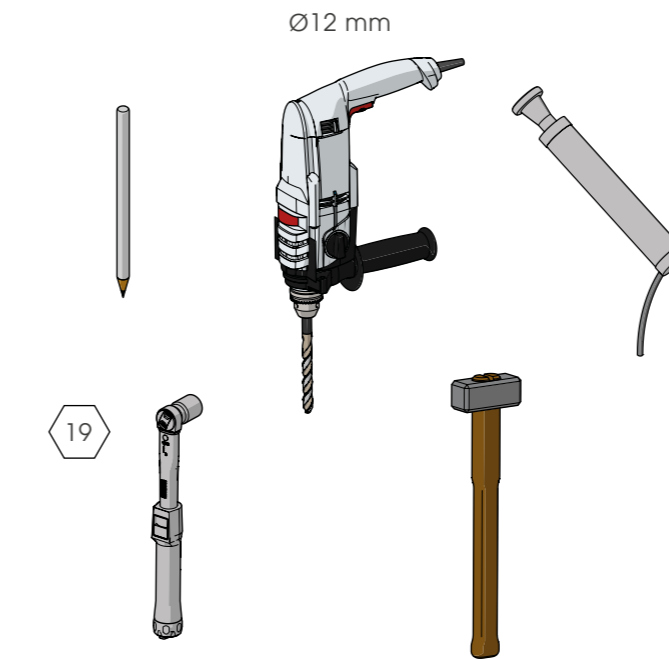
C



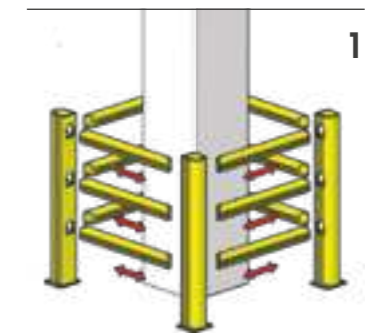
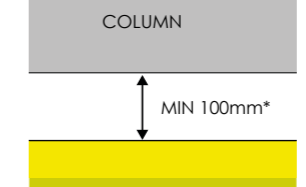
D

TOWER

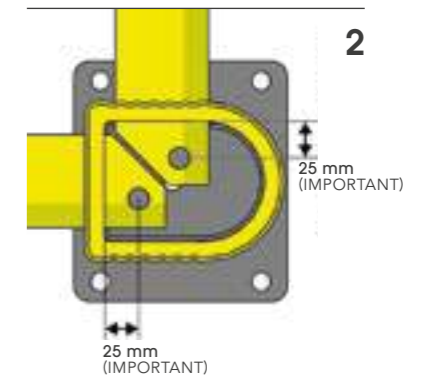
ISTRUZIONI DI INSTALLAZIONE
ASSEMBLY INSTRUCTIONS



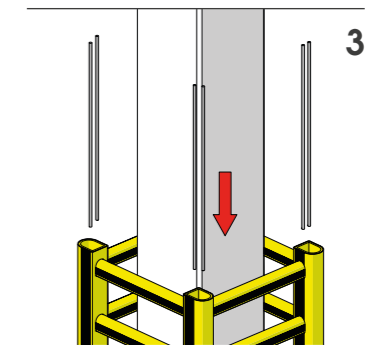
WARNING
The distance of installation depends on speed and weight of vehicle



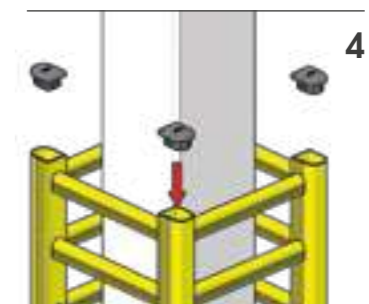
1



2



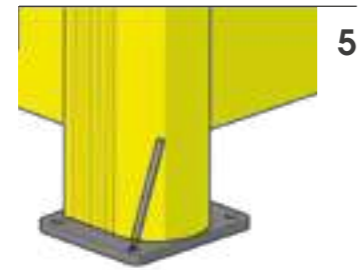
3



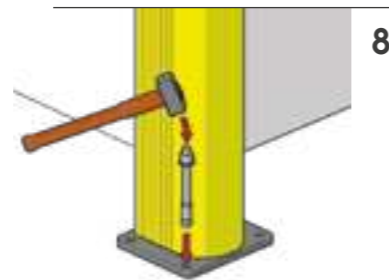
4

TOWER

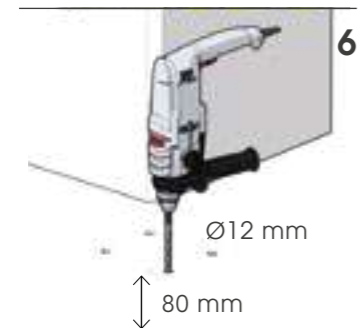
ISTRUZIONI DI INSTALLAZIONE
ASSEMBLY INSTRUCTIONS



5

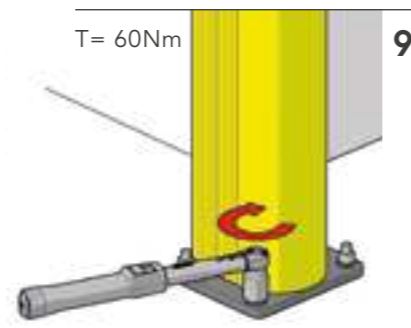


8



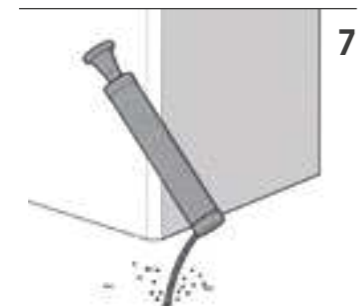
6

Ø12 mm
80 mm



9

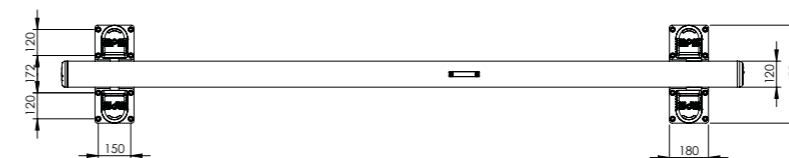
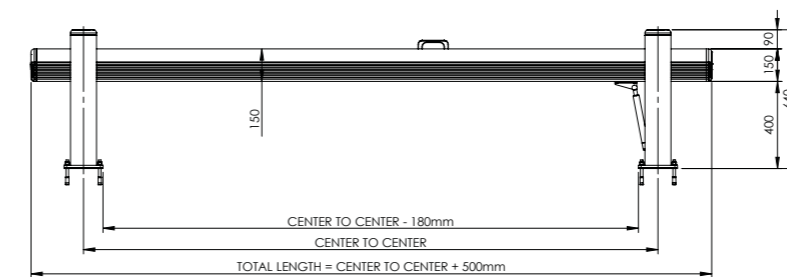
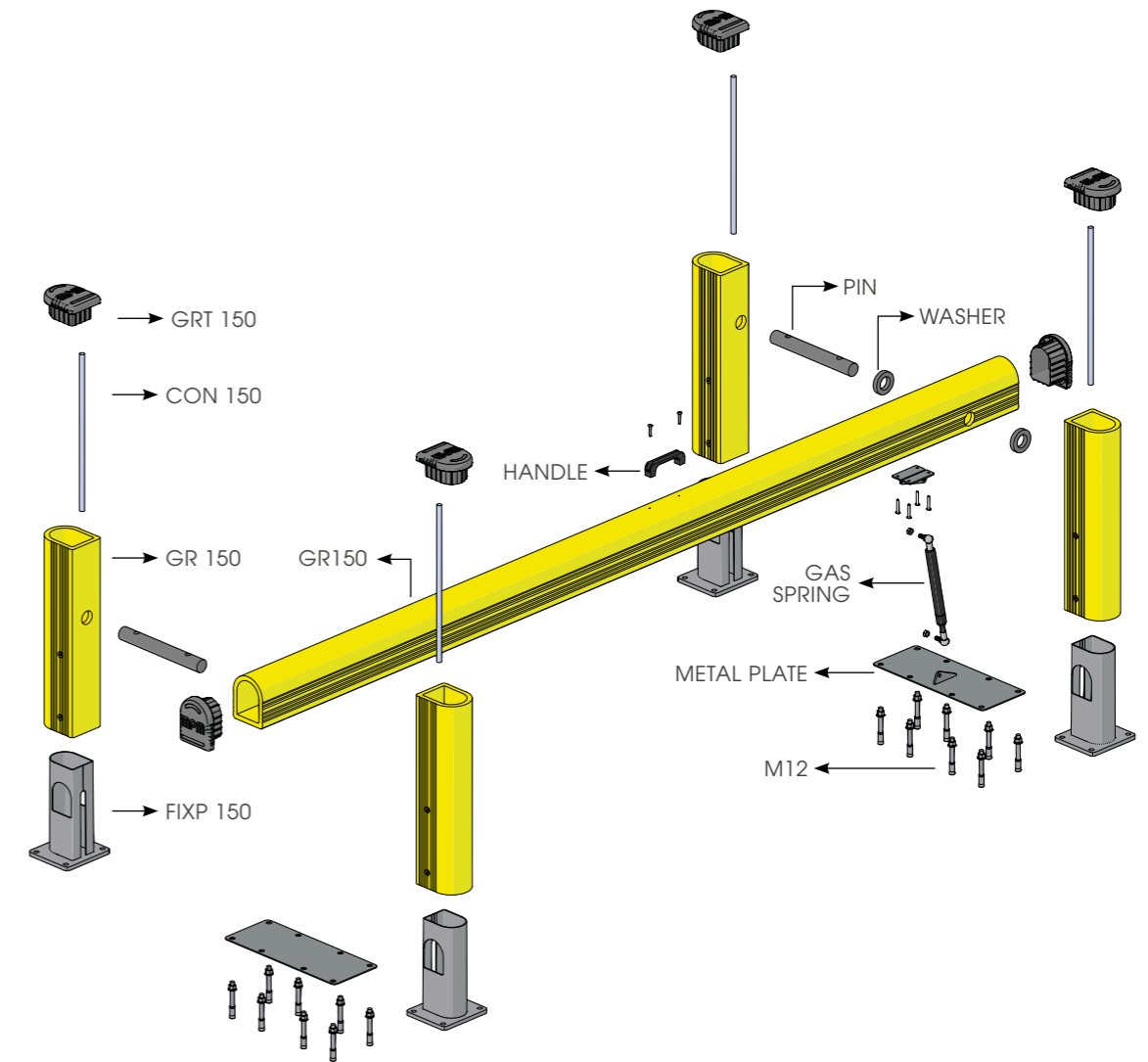
T = 60Nm



7

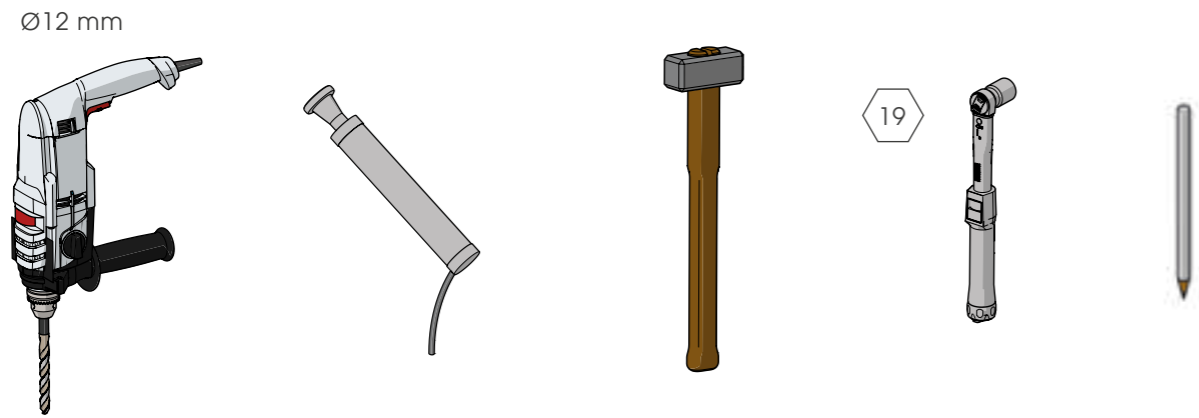
DOCK GATE

PROTEZIONE BAIE DI CARICO
LOADING BAYS PROTECTIONS

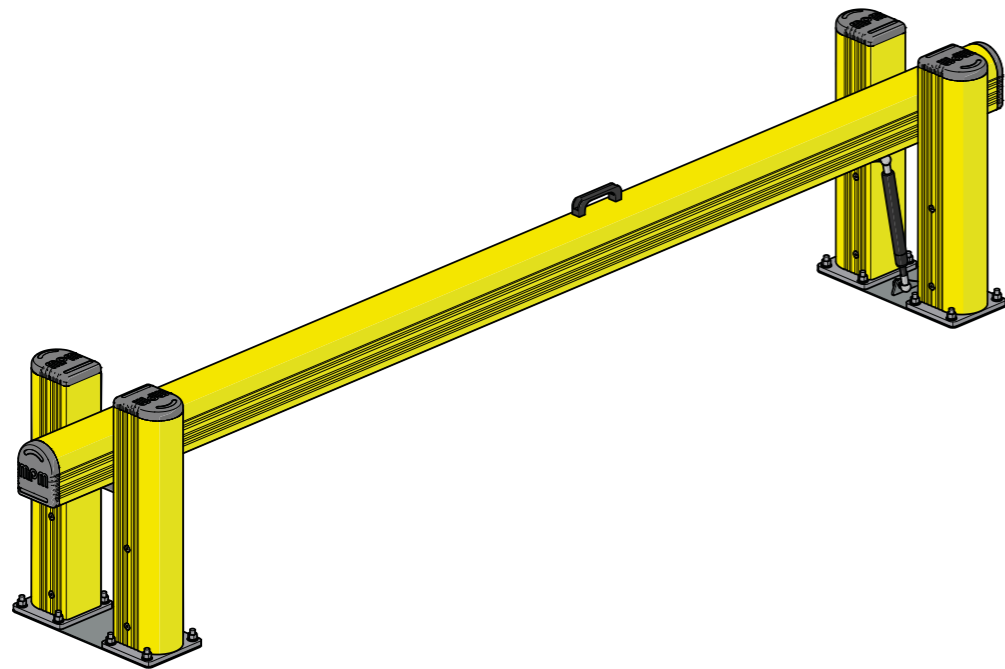


DOCK GATE

ISTRUZIONI DI INSTALLAZIONE
ASSEMBLY INSTRUCTIONS

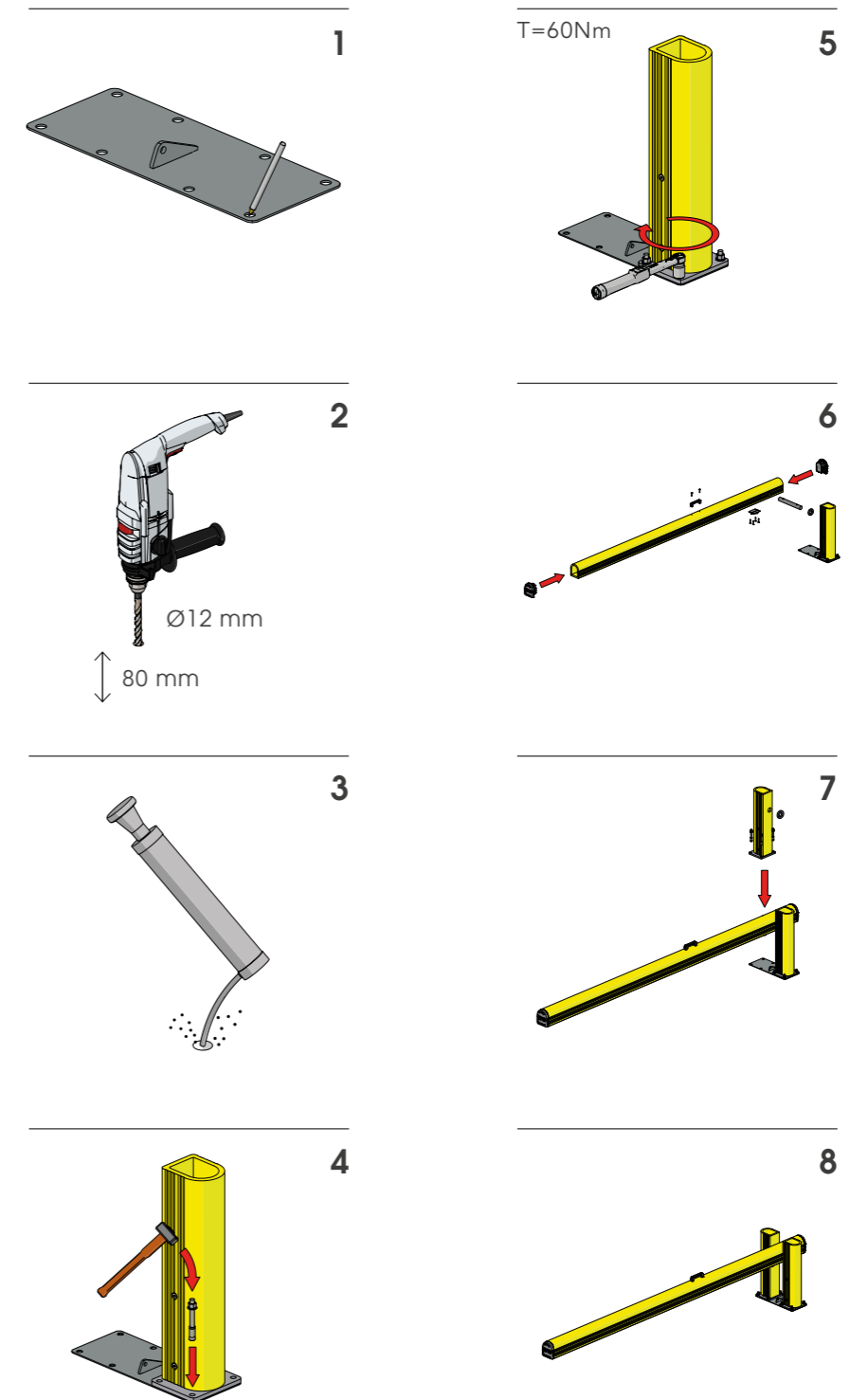


Ø12 mm



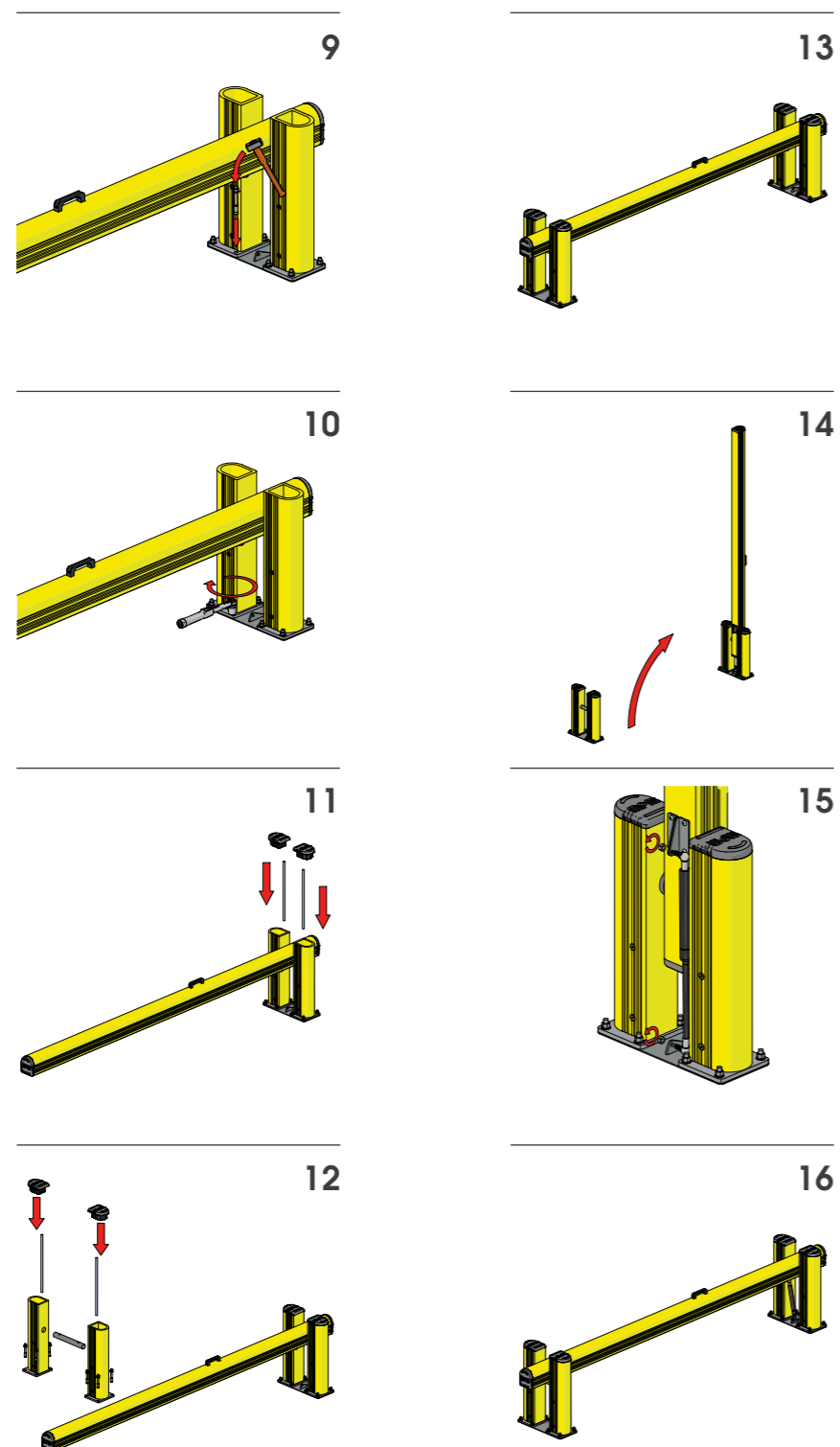
DOCK GATE

ISTRUZIONI DI INSTALLAZIONE
ASSEMBLY INSTRUCTIONS



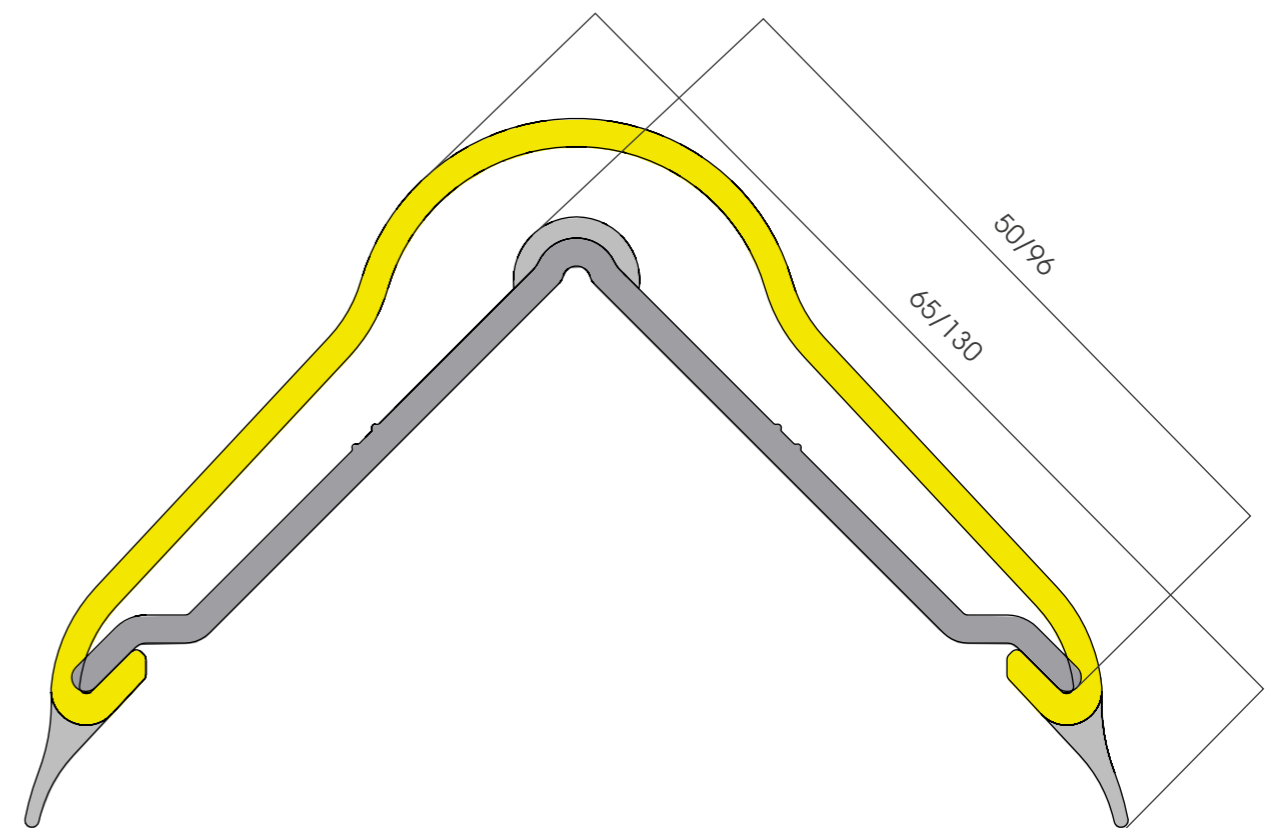
DOCK GATE

ISTRUZIONI DI INSTALLAZIONE
ASSEMBLY INSTRUCTIONS



CP 100/200

PROTEZIONE PER PARETI
CORNER PROTECTION



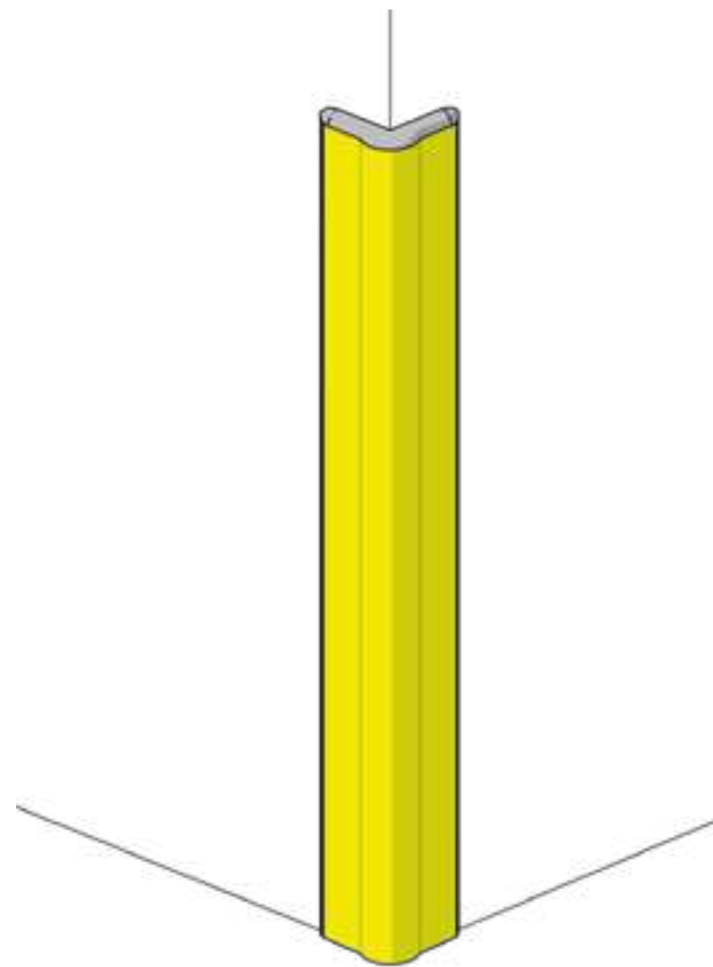
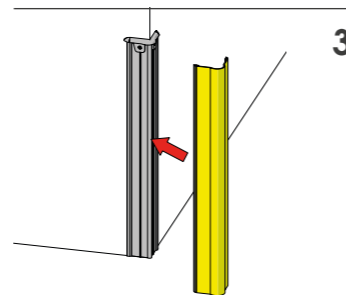
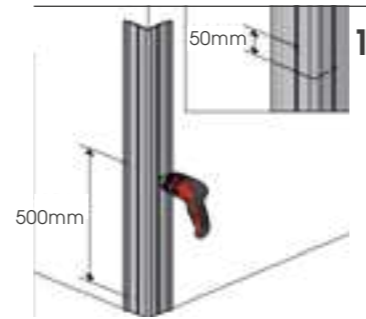
WARNING

The product is not equipped with fixing accessories for the wall.
Use self-drilling button head cap screw $\varnothing 3.9$ if mounted to panel or wood walls.
Use plastic plugs $\varnothing 3.9$ if mounted to concrete walls.

11. CORNER PROTECTION

CP 100/200

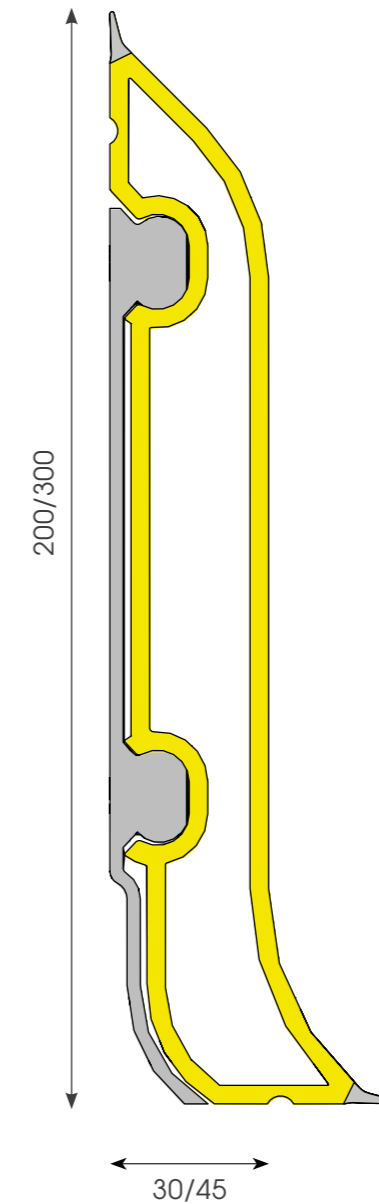
ISTRUZIONI DI INSTALLAZIONE
ASSEMBLY INSTRUCTIONS



12. KERB

KERB 200/300

PROFILO KERB
KERB PROFILE

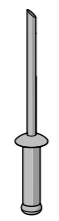
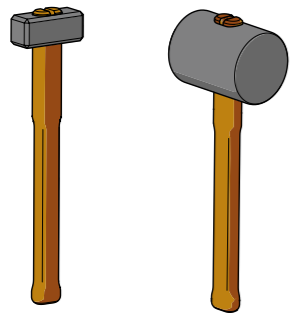
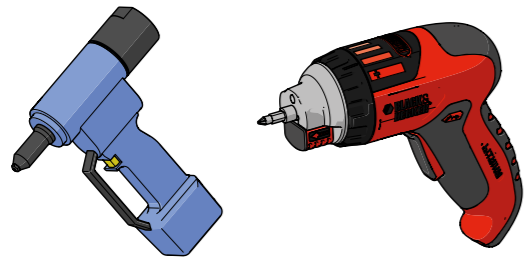


WARNING

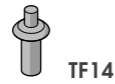
The product is not equipped with fixing accessories for the wall.
Use self-drilling button head cap screw $\varnothing 3.9$ if mounted to panel or wood walls.
Use plastic plugs $\varnothing 3.9$ if mounted to concrete walls.

KERB 200

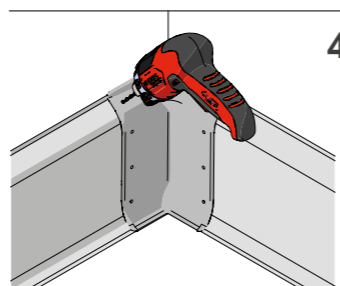
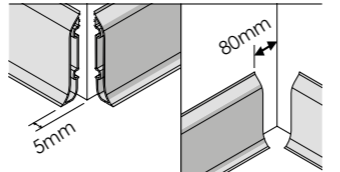
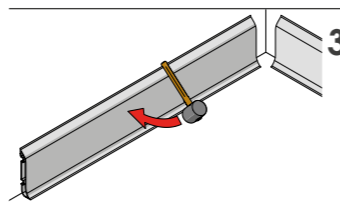
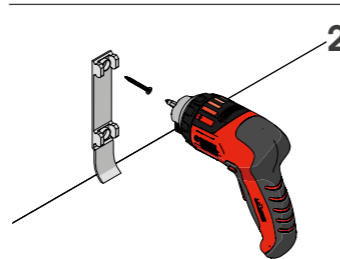
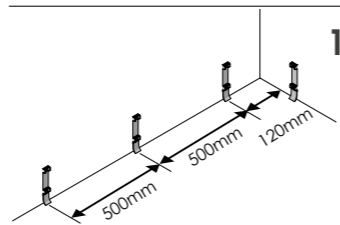
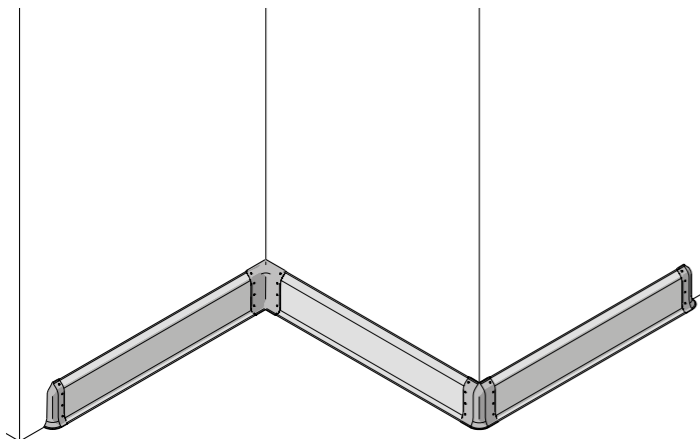
ISTRUZIONI DI INSTALLAZIONE
ASSEMBLY INSTRUCTIONS



PLEASE SEE
IN 5A / 7A
9A / 12A

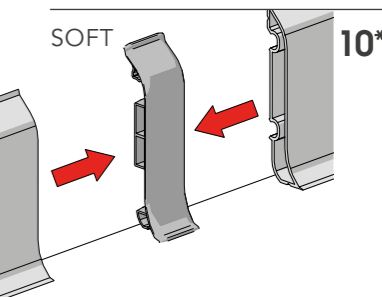
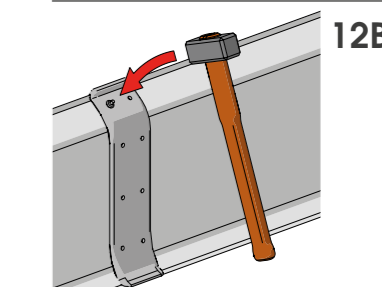
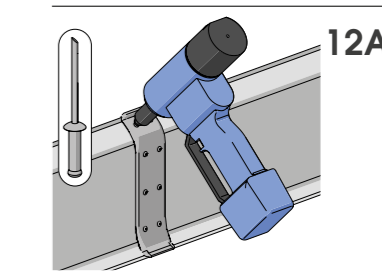
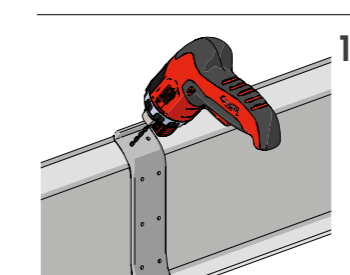
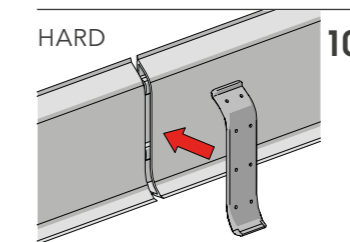
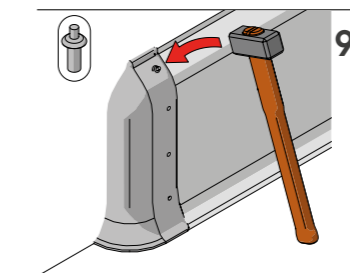
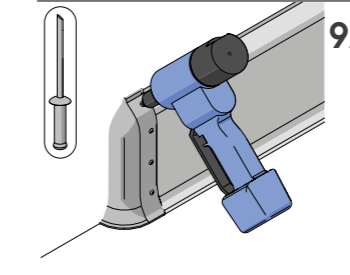
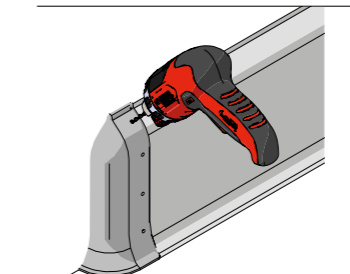
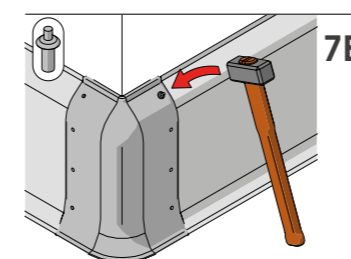
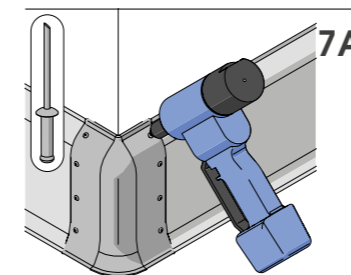
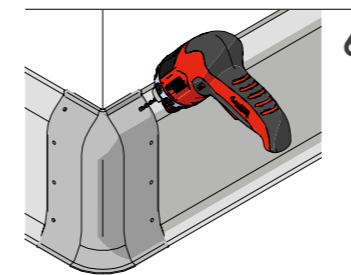
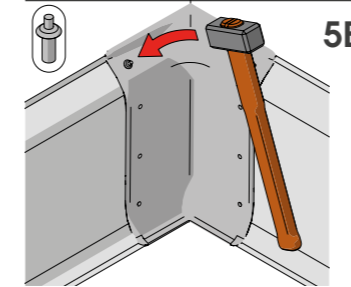
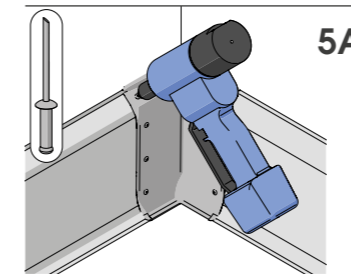


PLEASE SEE
IN 5B / 7B
9B / 12B



KERB 200

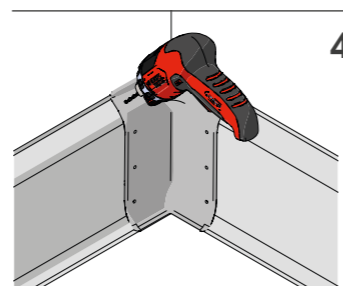
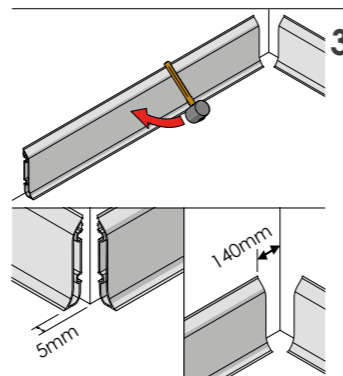
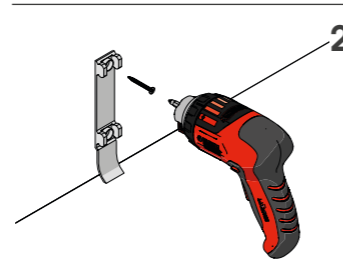
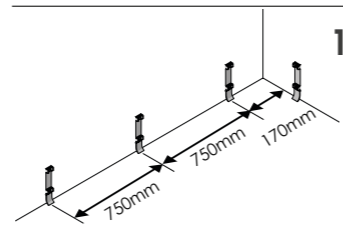
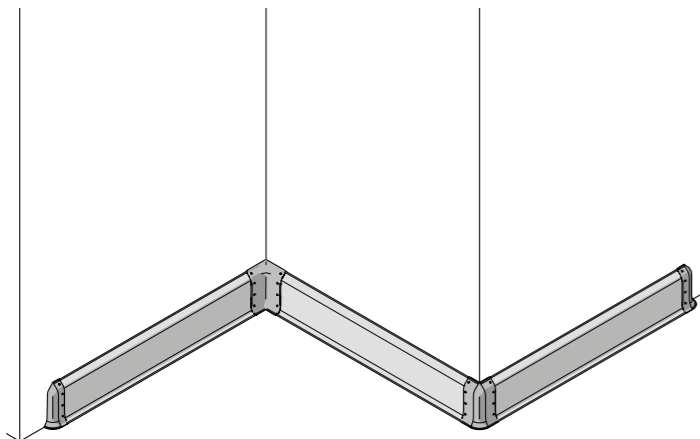
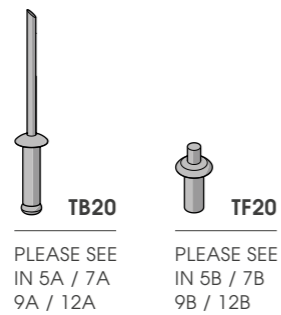
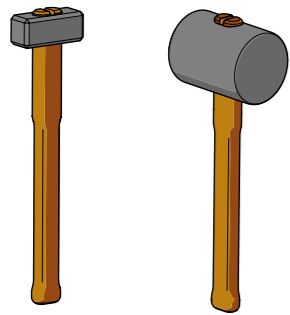
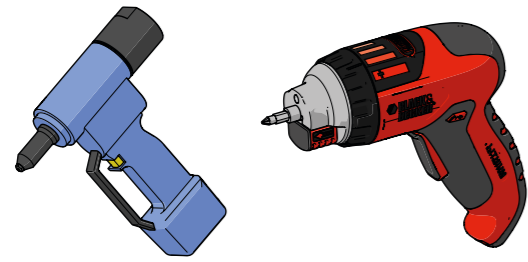
ISTRUZIONI DI INSTALLAZIONE
ASSEMBLY INSTRUCTIONS



*PLEASE ALSO CHECK
THIS ALTERNATIVE
FOR INSTALLATION
WITH NEW KSJ 200 LT

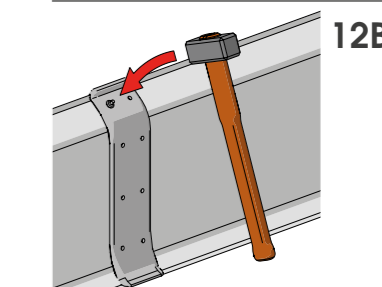
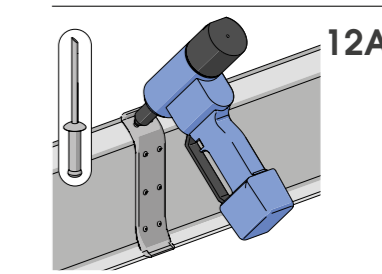
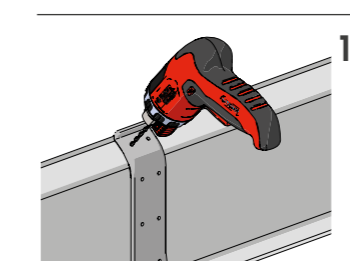
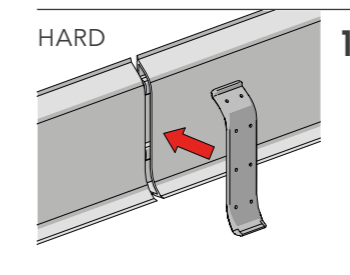
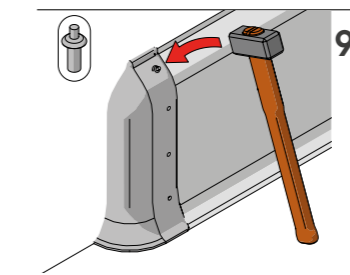
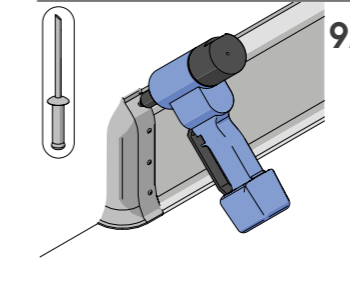
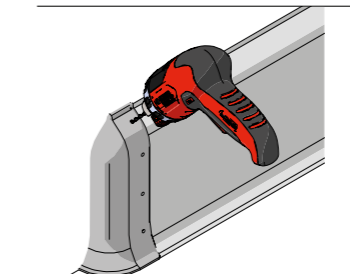
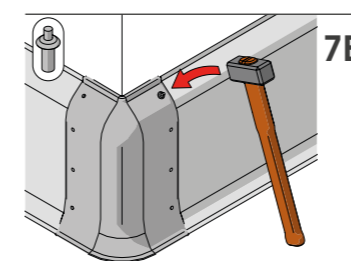
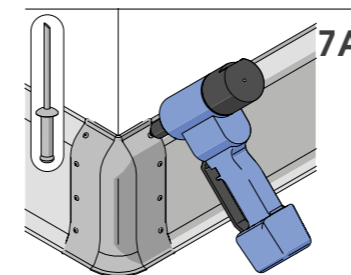
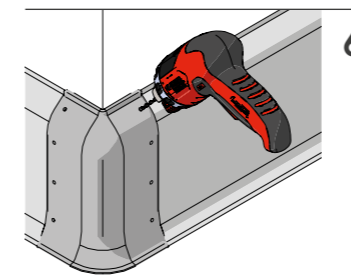
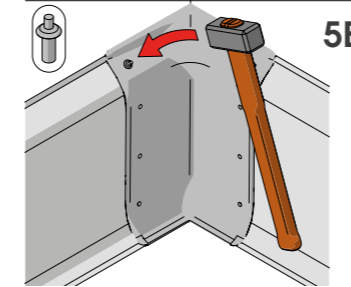
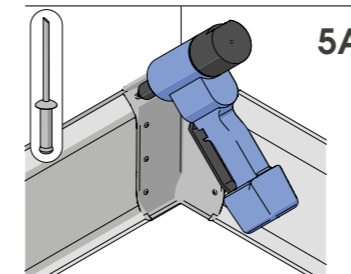
KERB 300

ISTRUZIONI DI INSTALLAZIONE
ASSEMBLY INSTRUCTIONS



KERB 300

ISTRUZIONI DI INSTALLAZIONE
ASSEMBLY INSTRUCTIONS

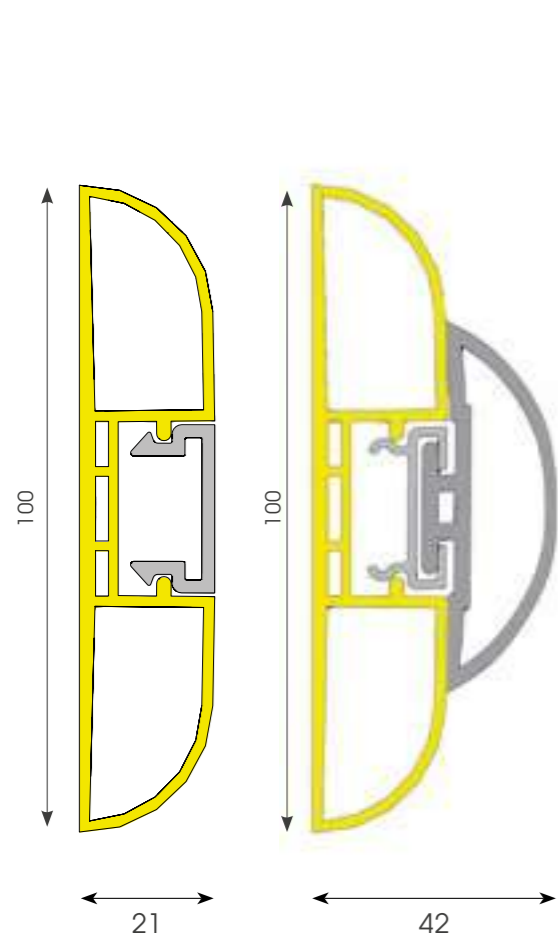


WP 100/150

PROTEZIONE PER PARETI
WALLS PROTECTION



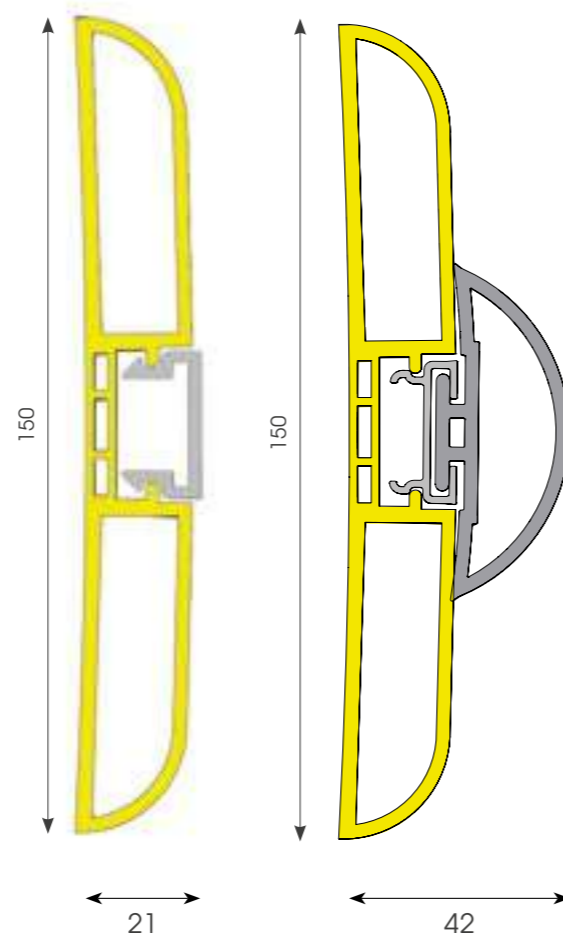
WP 100



*WITH WPC

*WITH WPCS

WP 150



*WITH WPC

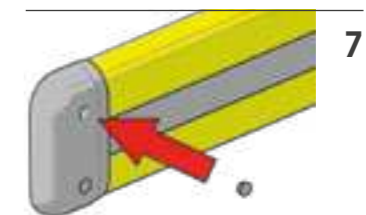
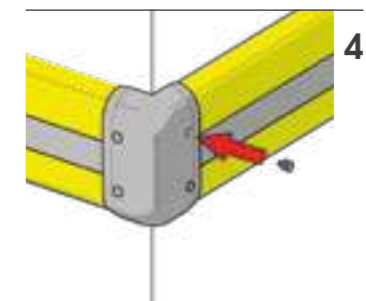
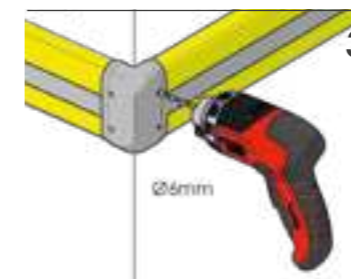
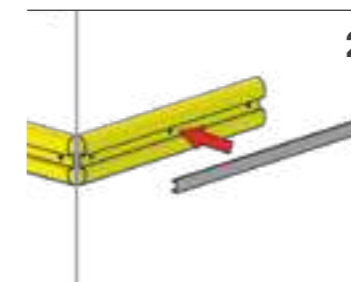
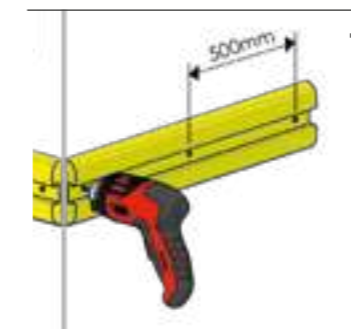
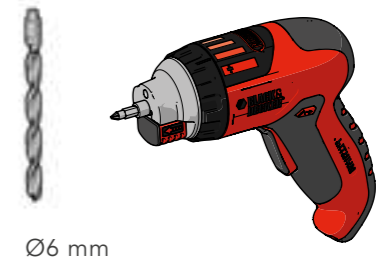
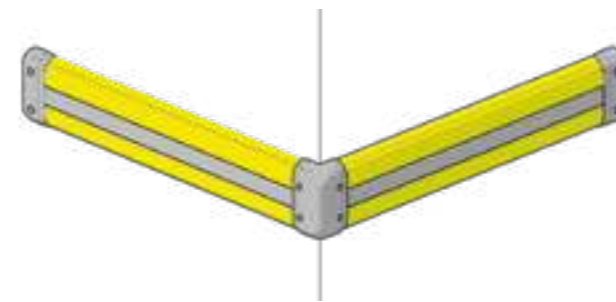
*WITH WPCS

WARNING

The product is not equipped with fixing accessories for the wall.
Use self-drilling button head cap screw Ø3.9 if mounted to panel or wood walls.
Use plastic plugs Ø3.9 if mounted to concrete walls.

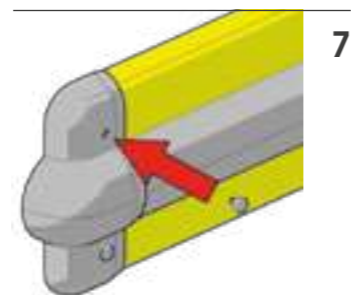
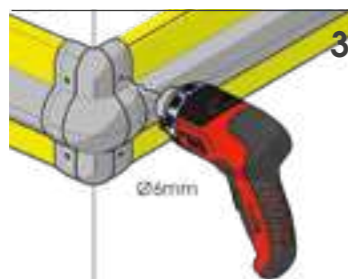
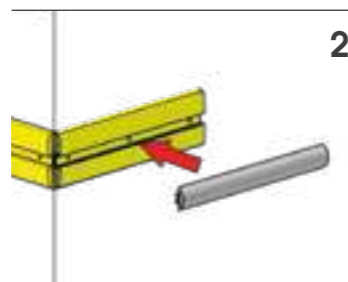
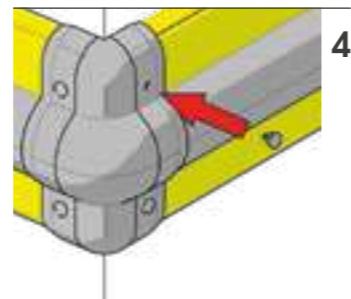
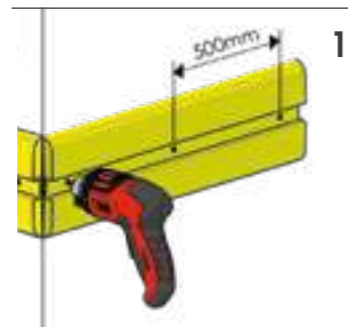
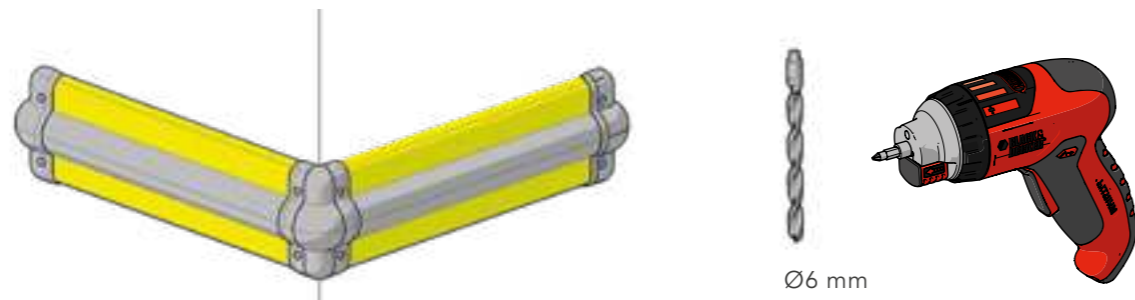
WP 100

ISTRUZIONI DI INSTALLAZIONE
ASSEMBLY INSTRUCTIONS



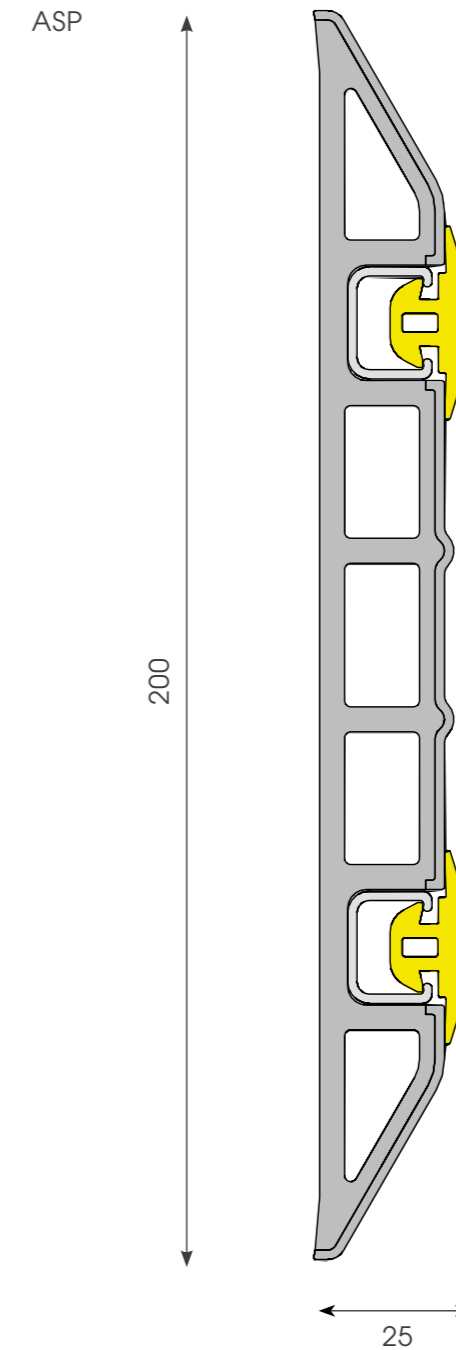
WP 150

ISTRUZIONI DI INSTALLAZIONE
ASSEMBLY INSTRUCTIONS



ASP 200

SISTEMA ANTISHOCK
ANTISHOCK SYSTEM

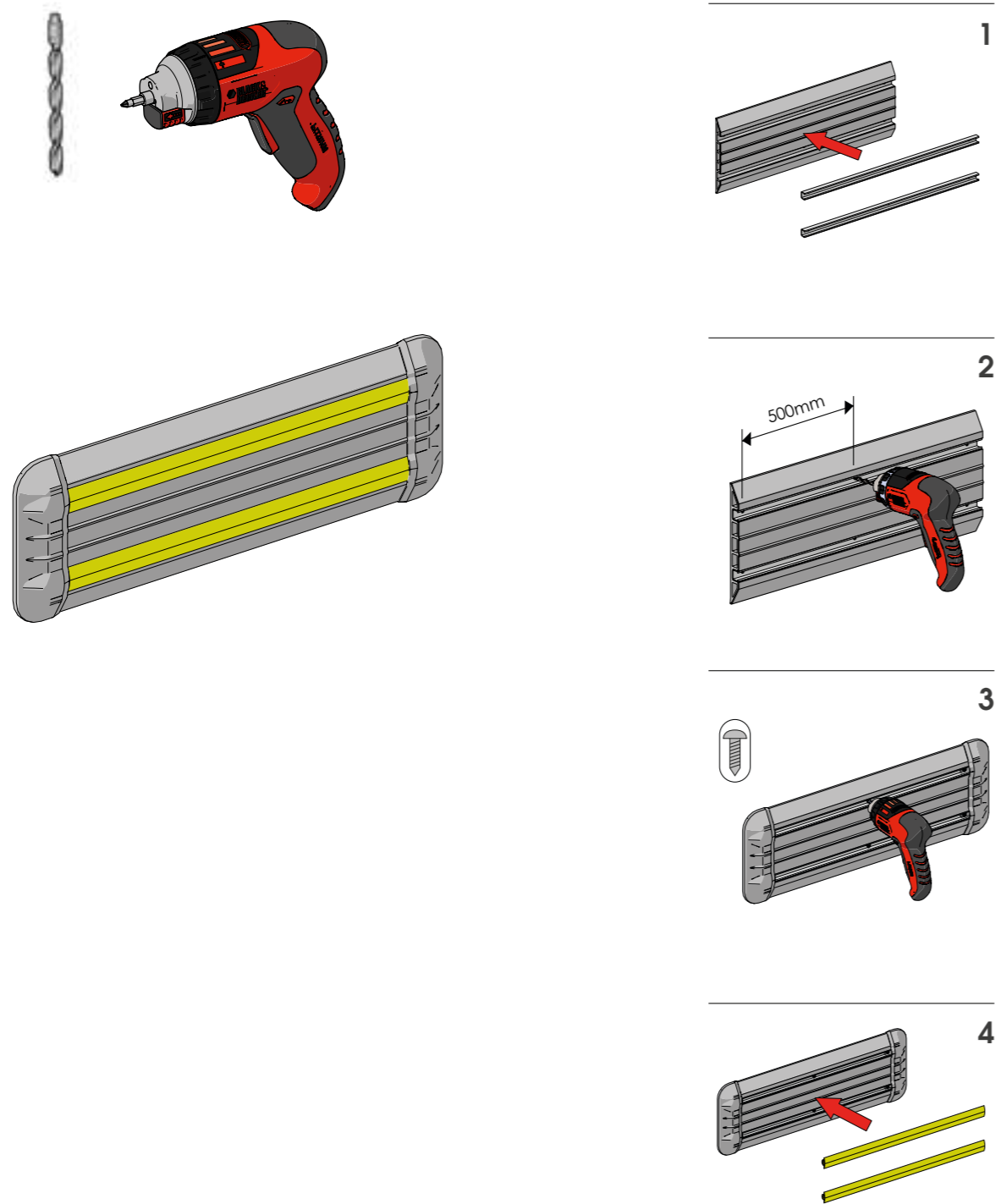


WARNING

The product is not equipped with fixing accessories for the wall.
Use self-drilling button head cap screw Ø3.9 if mounted to panel or wood walls.
Use plastic plugs Ø3.9 if mounted to concrete walls.

ASP 200

ISTRUZIONI DI INSTALLAZIONE
ASSEMBLY INSTRUCTIONS



MPM PROTECTION'S IMPACT RESISTANCE

PRODUCT	MODEL	RAIL LENGTH	LOAD TYPE	ULTIMATE LOAD (JOULES) FOR IMPACT ANGLE DEGREES BELOW						
				10	15	30	45	60	90	
RP RACK PROTECTOR	ANY									1.280,00
RC RACK PROTECTOR	ANY									2.800,00
ROD BOLLARDS	70									2.000,00
	120									3.600,00
GRD BOLLARDS	90									1.600,00
	150									2.800,00
GR GUARD RAIL	90			13.827,98	9.277,48	4.802,21	3.395,46	2772,13		2.400,00
	150			31.112,97	20.874,33	10.804,96	7.639,79	6.237,29		5.400,00
GRIN GUARD RAIL	90	1.500		16.132,65	10.823,73	5.602,57	3.961,37	3.234,15		2.800,00
	150	2.000		45.378,84	30.445,60	15.759,24	11.142,78	9.097,21		7.876,00
SM GUARD RAIL		1.500		4.762,50	3.195,00	1.654,00	1.170,00	954,94		827,00
LM GUARD RAIL		1.500		19.589,64	13.143,10	6.803,12	4.810,24	3.927,18		3.400,00

PRODUCT	MODEL	RAIL LENGTH	LOAD TYPE	ULTIMATE LOAD (JOULES) FOR IMPACT ANGLE DEGREES BELOW					
				10	15	30	45	60	90
FENCE GUARD RAIL	90	1.500		4.609,32	3.092,49	1.600,73	1.131,82	924,04	800,00
	150	1.500		18.140,00	12.171,00	6.300,00	4.455,00	3.637,3	3.150,00
	150 REF	1.500		18.140,00	12.171,00	6.300,00	4.455,00	3.637,3	3.150,00
	150 LINK	2.000		50.101,30	33.614,22	17.400,00	12.303,66	10.045,89	8.700,00
LINK MODULAR	SINGLE	2.000		50.101,30	33.614,22	17.400,00	12.303,66	10.045,89	8.700,00
	LM	2.000		100.202,61*	67.228,44*	34.800,00*	24.607,32*	20.091,79*	17.400,00*
	150/1	2.000		50.101,30	33.614,22	17.400,00	12.303,66	10.045,89	8.700,00
	150/2	2.000		100.202,61*	67.228,44*	34.800,00*	24.607,32*	20.091,79*	17.400,00*
	150/3	2.000		150.303,91*	100.842,66*	52.200,00*	36.910,97*	30.137,68*	26.100,00*
	HR 90 GUARD RAIL	1.500		9.501,90*	6375,00*	3300,00*	2333,40*	1905,27*	1650,00*
PEDESTRIAN GUARD RAIL	90	1.500		17.284,98*	11.596,85*	6.002,76*	4.244,33*	3.465,16*	3.000,00*
	90 REF	2.000		45.378,84	30.445,60	15.759,24	11.142,78	9.097,21	7.876,00
	150	1.500		36.298,46*	24.353,39*	12.605,79*	8.913,09*	7.276,84*	6.300,00*
	90 4 PE	1.500		23.046,64*	15.462,47*	8.003,68*	5.659,10*	4.620,21*	4.000,00*
	150 4 PE	2.000		48.397,95*	32.471,19*	16.807,72*	11.884,12*	9.702,45*	8.400,00*
	150 REF LINK	2.000		50.101,30	33.614,22	17.400,00	12.303,66	10.045,89	8.700,00

PRODUCT	MODEL	RAIL LENGTH	LOAD TYPE	ULTIMATE LOAD (JOULES) FOR IMPACT ANGLE DEGREES BELOW					
				10	15	30	45	60	90
TOWER GUARD RAIL				36.298,46*	24.353,39*	12.605,79*	8.913,09*	7.276,84*	6.300,00*
COPRO GUARD RAIL	90			13.827,98	9.277,48	4.802,21	3.395,46	2772,13	2.400,00
	150			31.112,97	20.874,33	10.804,96	7.639,79	6.237,29	5.400,00
CP CORNER PROTECTION	100			2.649,00	1.777,00	920,00	650,50	531,16	460,00
	200			3.743,20	2.511,00	1.300,00	919,20	750,56	650,00

* MPM specifies that such values are the result of a multiplication of the unit data for the number of rails.
The unit data is proved by tests, stored in MPM, on excellent conditions goods. Such tests cannot take note of particular situations, installation or bad maintenance.

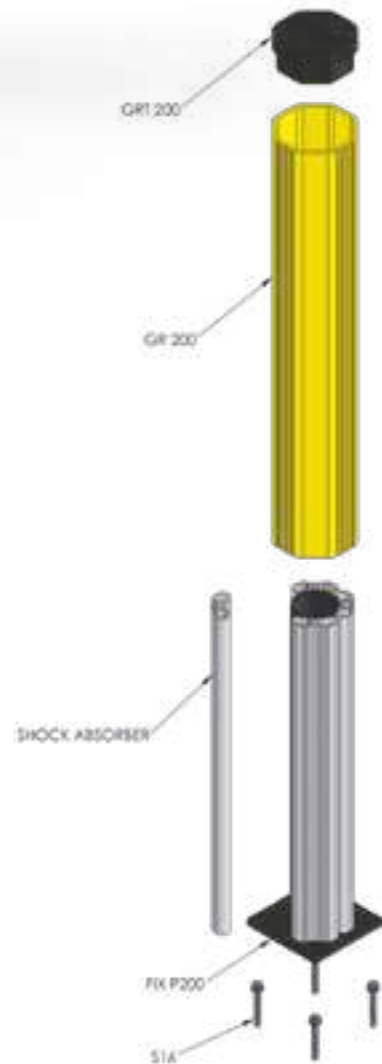
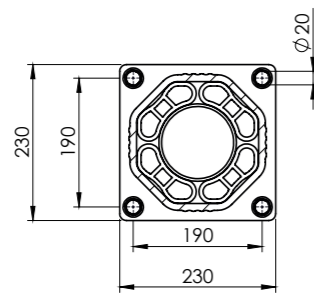
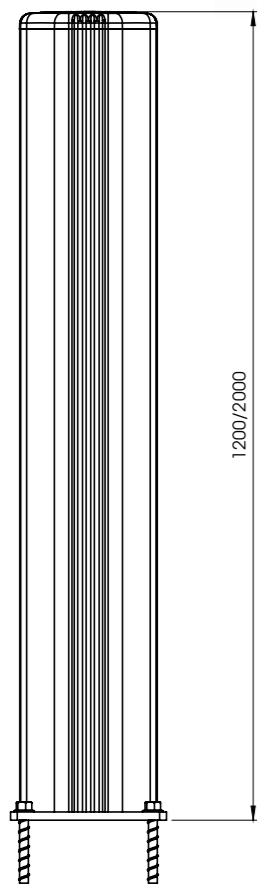
LEGEND SYMBOLS	VEHICLE LOAD	VEHICLE TYPE	LEGEND SYMBOLS	VEHICLE LOAD	VEHICLE TYPE
		ELECTRIC PEDESTRIAN TRUCK			LIGHTWEIGHT COUNTERBALANCE FORKLIFT TRUCK
LIGHT LOAD FOR HANDPALLET TRUCKS		ELECTRIC PEDESTRIAN STACKER			ENGINE HEAVY DUTY FORKLIFT TRUCK
		MANUAL PALLET TRUCK			ELECTRIC PALLET TRUCK WITH RIDER PLATFORM

NEW. GRD 200

SHOCK ABSORBING
INSIDE



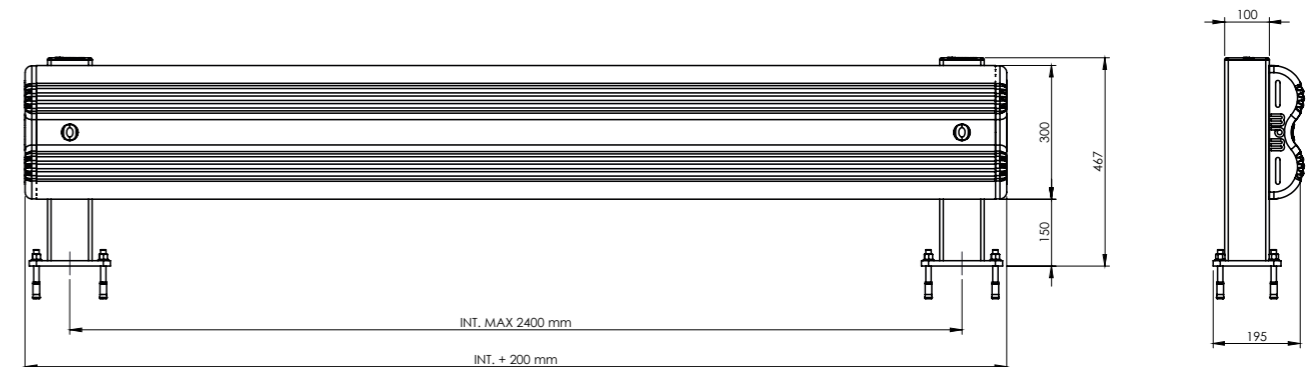
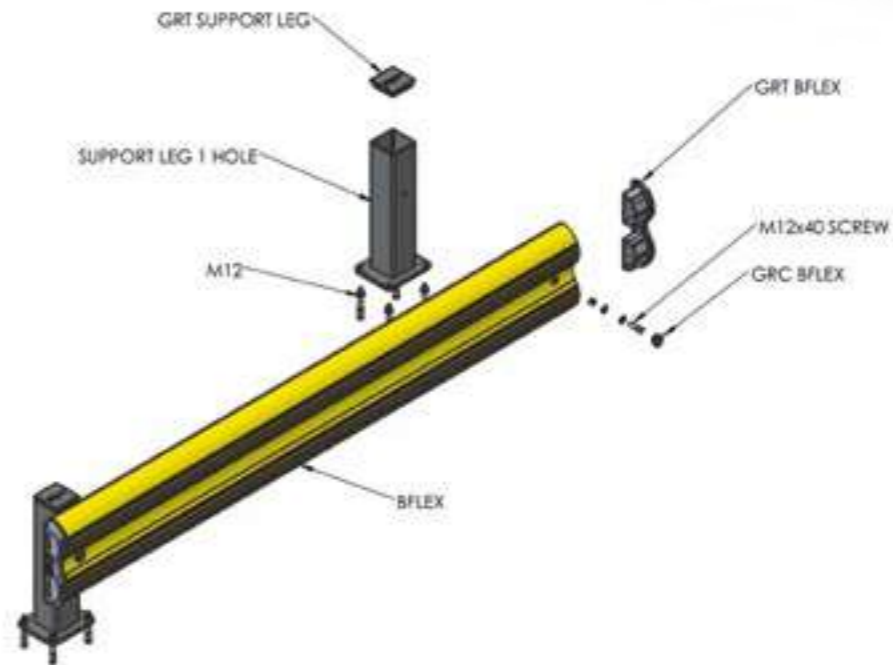
NEW
GRD 200



NEW. BFLEX



NEW
BFLEX



MPM PRODUCT WARRANTY

MPM provides a warranty for the product supplied, in accordance with articles 1490 et seq. of the Italian Civil Code.

The warranty lasts for one year and shall begin from the product delivery date. The warranty shall cover the free repair and/or replacement of the defective piece. Product transport costs are payable by the buyer.

The warranty shall be void if the buyer fails to report the defect(s) within eight days after discovering them; the deadline for reporting obvious visible defects shall be calculated from the delivery date. Defects must be reported in writing (by registered post or via certified email).

MPM reserves the right to verify whether the defect exists. MPM reserves the right to replace the entire product.

The warranty does not cover parts damaged during transport, parts that are subject to normal wear and tear and deterioration caused by weather and environmental conditions or parts that are damaged as a result of accident, impact, inexperience or improper use or unauthorised use, damaged as a result of unauthorized repairs or modifications or tampering.

The warranty will be considered valid only if, according to MPM's discretionary assessment, all rules of installation and use of the supplied product as defined in the technical catalogue on the corporate website (www.mpmpvc.com), have been complied with. The warranty will be invalidated if it turns out that the correct maintenance was not carried out and/or if the supplied product has been tampered with or interventions were performed by individuals not authorized by the supplier; if MPM has performed the installation, the warranty will be invalidated if unauthorized work is carried out by third parties after the installation. MPM shall accept no responsibility if the product has not been installed correctly or if the due maintenance has not been carried out.

The safety coefficient and consequent use of the product requires preliminary screening by a designer who will necessarily have to take account of the actual installation conditions, considering that instructions contained in catalogues, orders, transport documents invoices or any other documentation showing the product characteristics, should not be considered suitable to compensate for any lack of design or technical testing required for installation of the product. In any case, it is necessary to comply with the appropriate assembling and installation instructions. MPM will accept no liability for the use of products in situations that have not been preceded by the above-mentioned checks.

Images in the brochure are for advertising purposes only and do not in any way represent how the products should be used.

Impact resistance and production tolerances

Impact forces indicated in the brochure, or in other documents, refer to laboratory tests and cannot take account for consequences determined by installation modes or peculiarities of the place where the products are installed (in an operational environment vehicle type, speed and mass, routes, angles of impact, ground and anchorage are variable and uncontrolled conditions that no test can replicate); the data refers to an intact product that can be affected by alterations from incorrect maintenance and old age, as well as the methods and characteristics of installation (with specific reference to floor-mounted products like the latter); the weight, dimensions, colours and characteristics of the material refer to the sample and the conformity with the latter of the product supplied will be subject to normal production tolerance. The product may be affected by environmental installation conditions.

Limit of liability

The maximum liability under this warranty shall not exceed the amount paid by the purchaser for the product. MPM shall not be liable for damages to reputation, loss of business, loss of contracts, loss of revenues, etc..

Heating

Protections performances can be affected in environments with temperatures below 0°C or higher than 50°C.

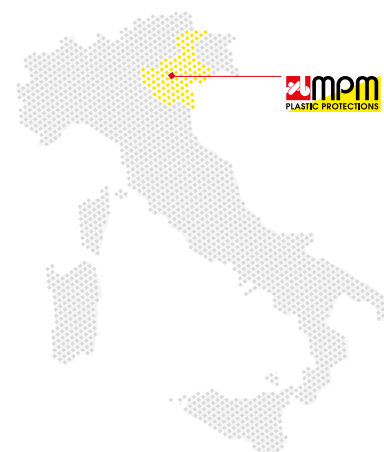
Colour

The fastness of the colour and its brightness depend on wear and tear and climatic conditions that can affect its intensity over time.





MADE IN
ITALY



M.P.M. s.r.l.
Via Europa 2
35010 Fratte
di S. Giustina in Colle
Padova · Italy

T +39 049 9301773
F +39 049 9300427
info@mpmpvc.com
www.mpmpvc.com
www.mpmprotentions.com